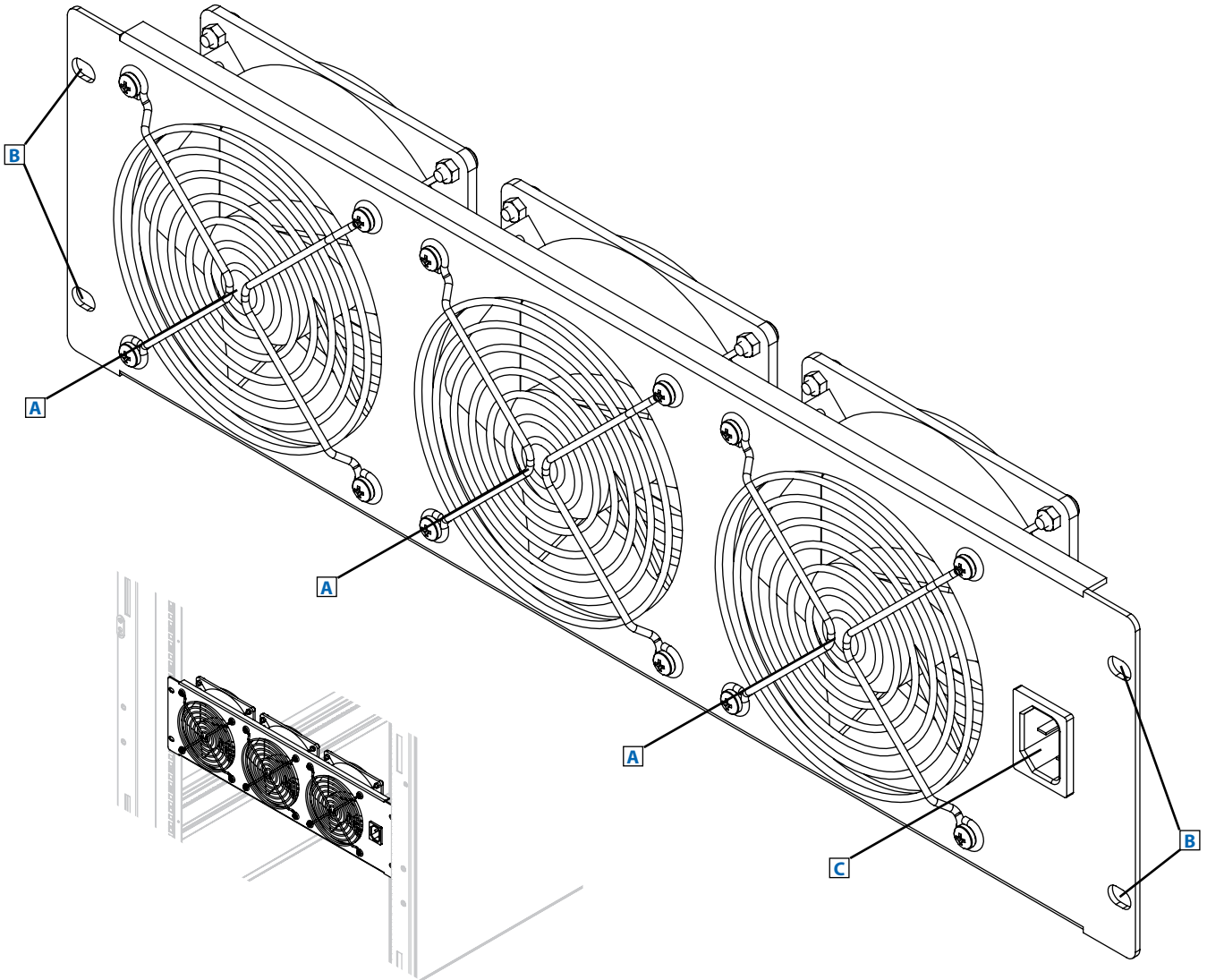


MODEL:

# SRXFAN3U

## 3U Fan Panel with 3 Fans

- A** 3 High-Performance 208-240V AC Fans
- B** Mounting Holes (Hardware Included)
- C** C14 Power Inlet (Power Cord Not Included)



- Ideal for increasing ventilation in SmartRack® Enclosures
- For use in regions that support 208-240V mains power

**SEE NEXT PAGE FOR DETAILED UNIT MEASUREMENTS**

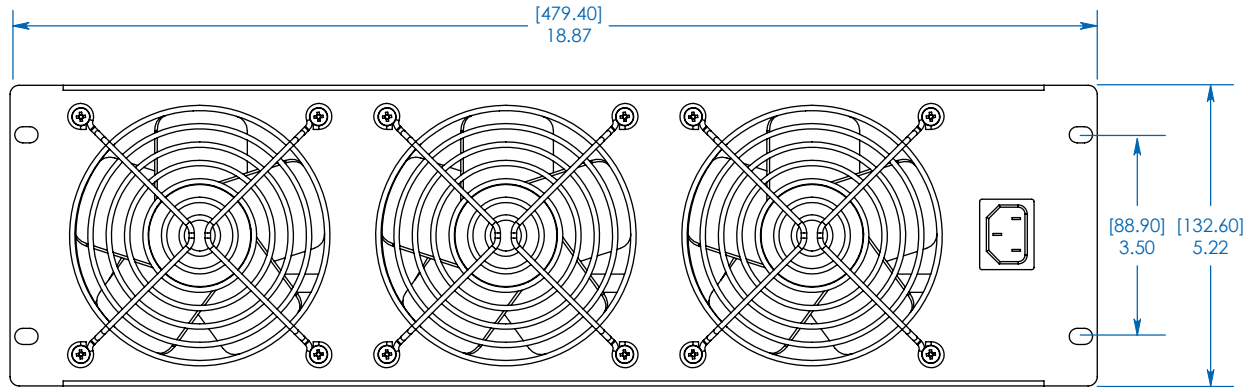
### Specifications

Model	SRXFAN3U
Fan Type	208-240V AC High-Performance (x3)
Volume Flow Rate	315 cfm
Unit Dimensions (H x W x D)	5.22 x 18.87 x 2.25 in. (132.6 x 479.4 x 57.08 mm)
Shipping Dimensions (H x W x D)	6 x 20 x 3 in. (152.4 x 508 x 76.2 mm)
Unit Weight	5.5 lb. (2.5 kg)
Shipping Weight	6 lb. (2.7 kg)

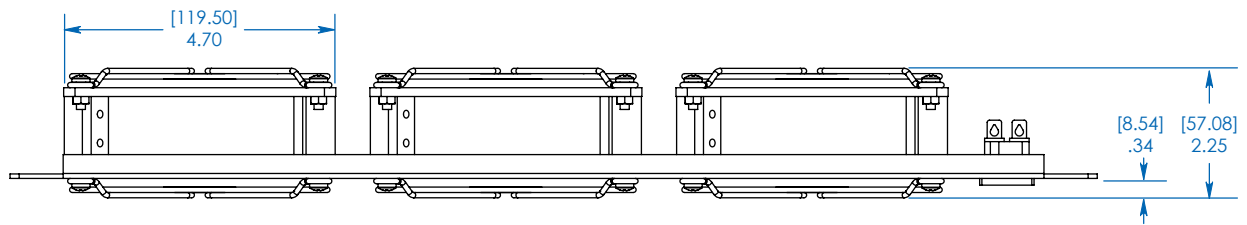


# TRIPP-LITE

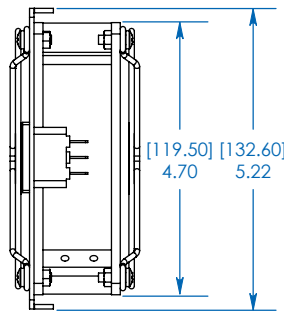
1111 W. 35th Street  
Chicago, IL 60609 USA  
773.869.1234  
www.tripplite.com



FRONT VIEW



TOP/BOTTOM VIEW



SIDE VIEW

MODEL:  
**SRXFAN3U**



1111 W. 35th Street  
Chicago, IL 60609 USA  
773.869.1234  
[www.tripplite.com](http://www.tripplite.com)

Dimensions: [mm] INCHES

Tripp Lite has a policy of continuous improvement. Specifications are subject to change without notice.