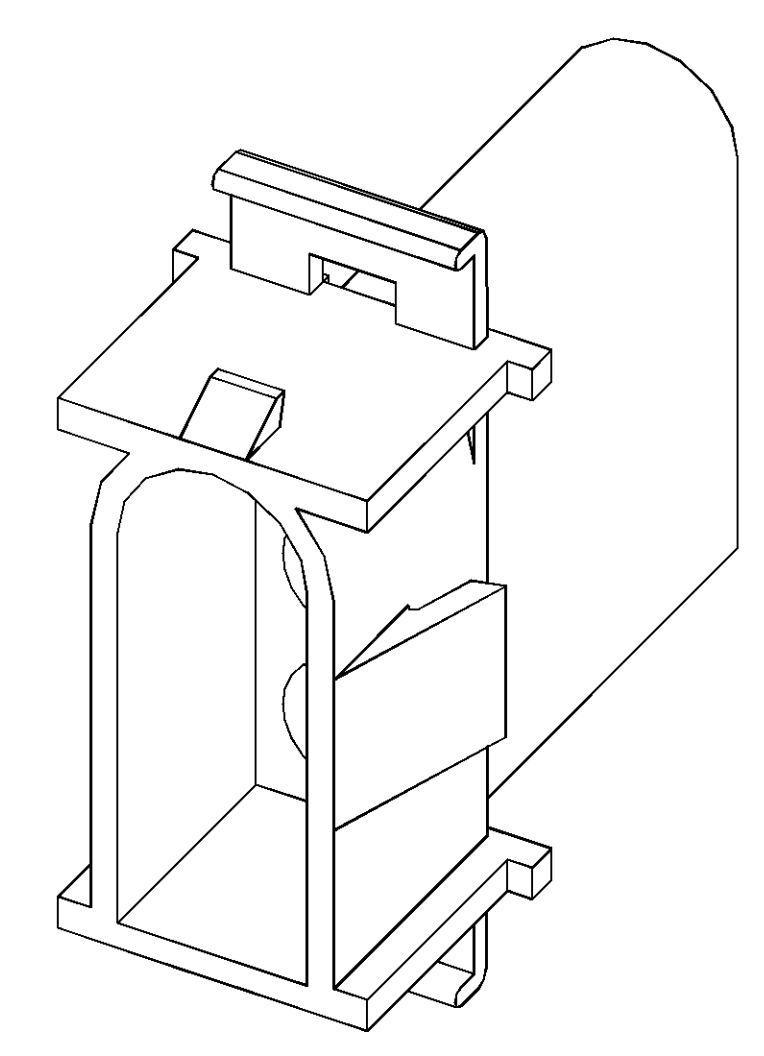
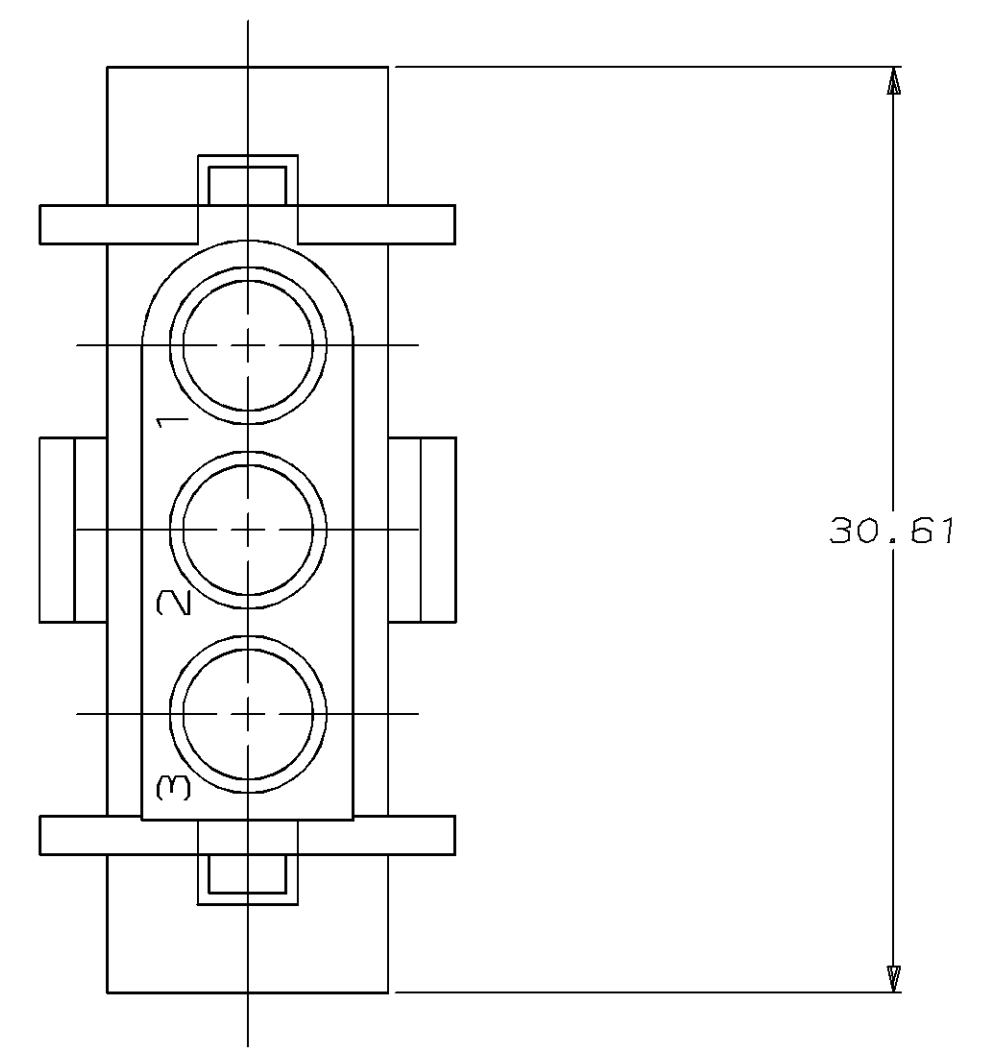
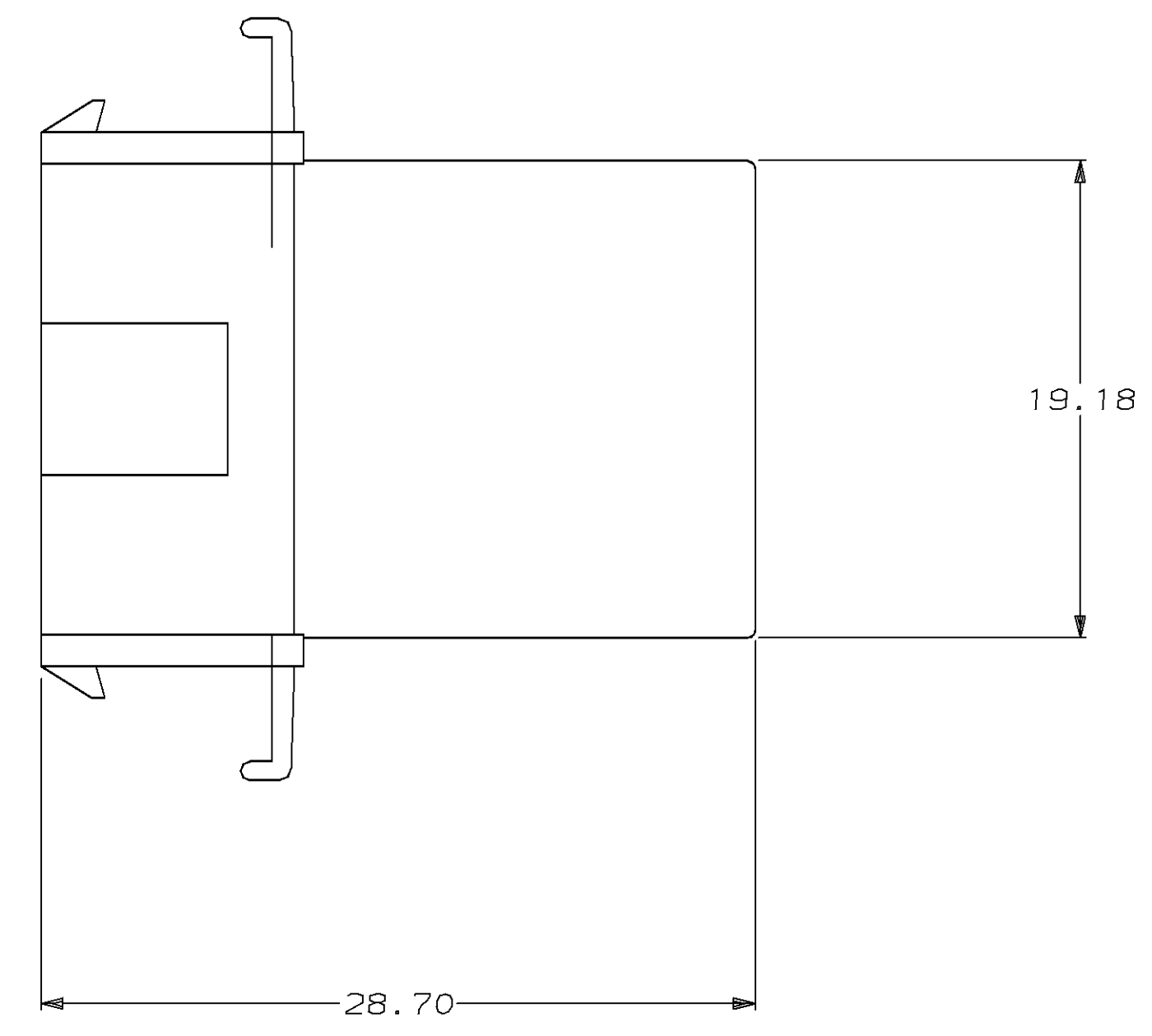
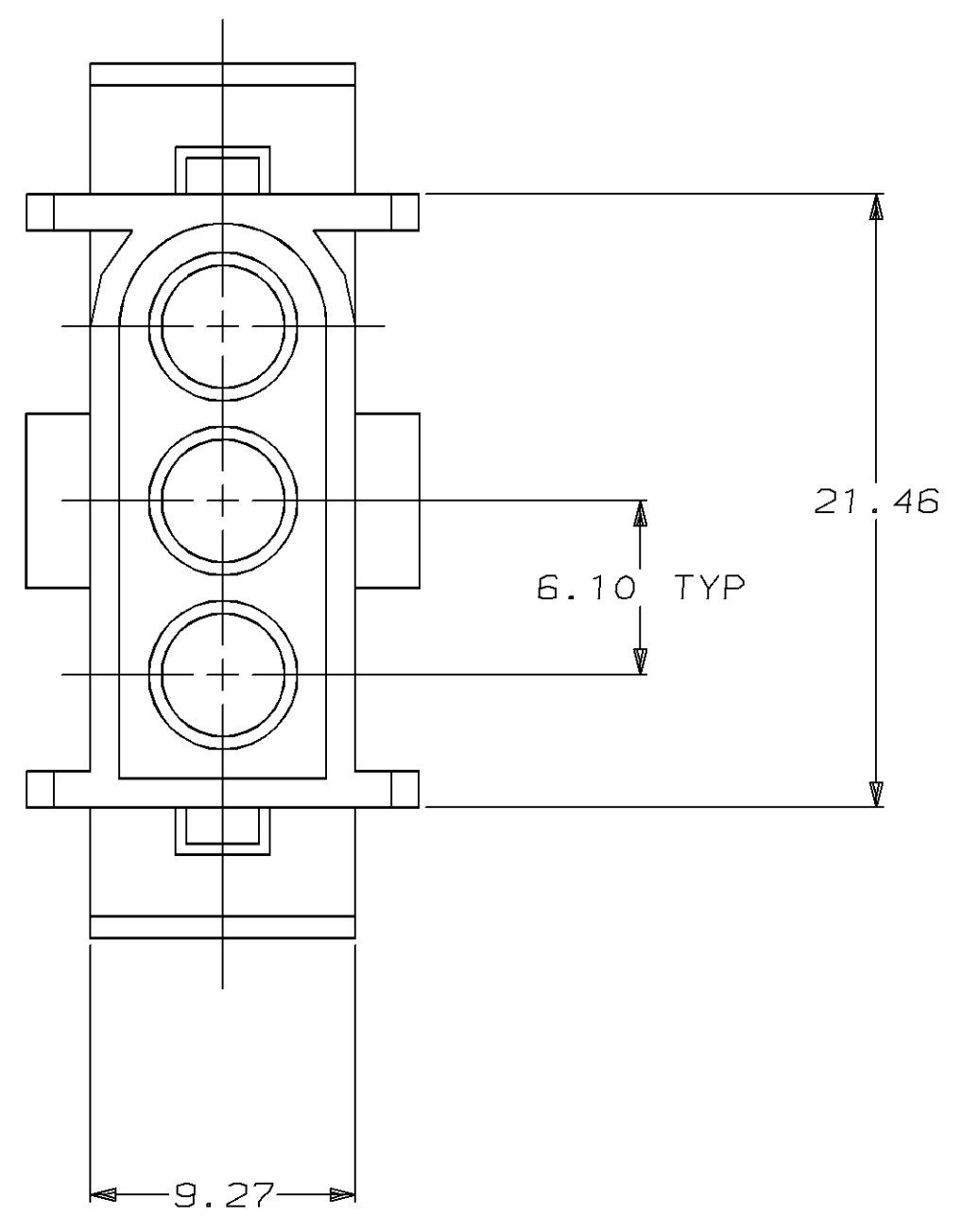
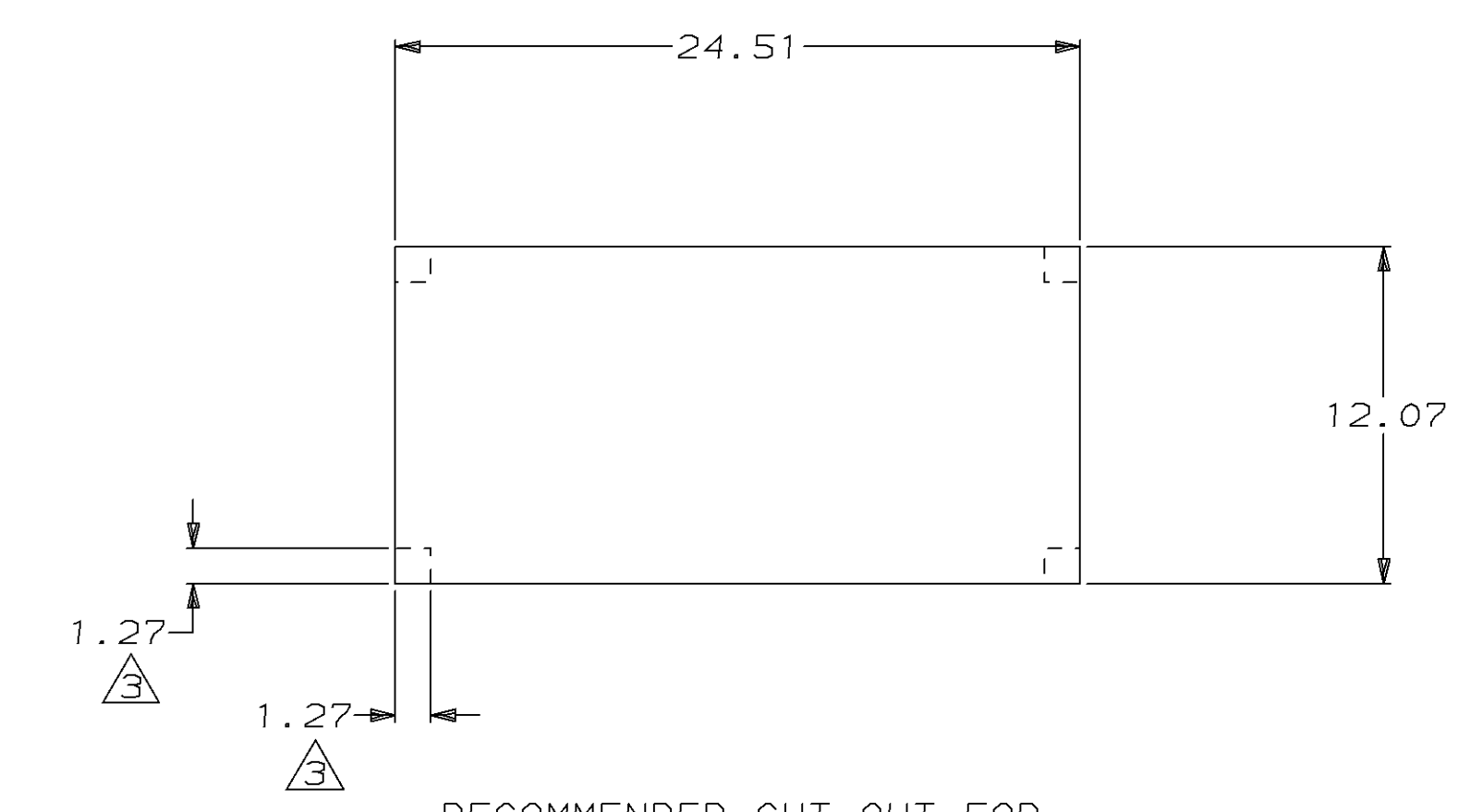
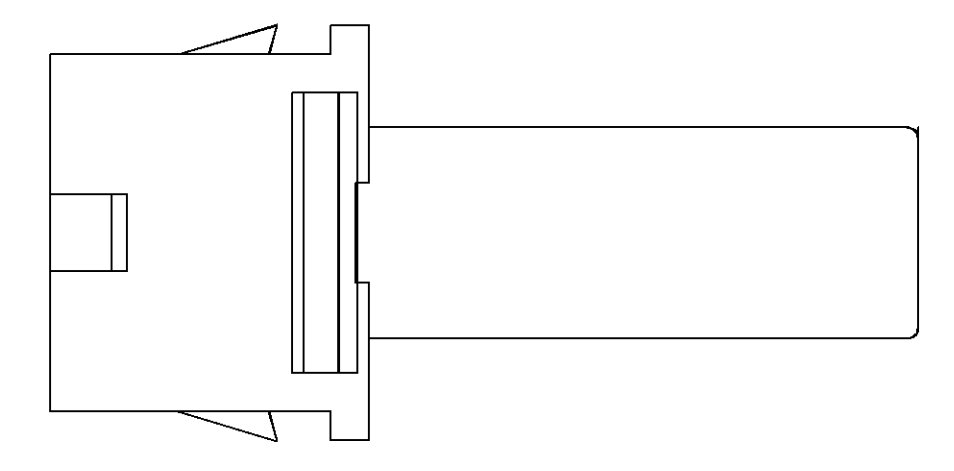


1. TO BE USED WITH .140 SERIES PINS.
2. TO BE USED WITH PLUG 350346.
3. 1.27 x 1.27 TABS IN CORNERS OF CUT-OUT ARE OPTIONAL TO REDUCE HOUSING FLOAT IN PANEL.



3-DIMENSIONAL MODEL
NTS



RECOMMENDED CUT OUT FOR
0.76 - 1.65 THICK PANEL

1-350347-0
PART NUMBER

3.56	.140	21.46	.845	-	-
1.65	.065	19.18	.755	-	-
1.27	.050	12.07	.475	30.61	1.205
0.76	.030	9.27	.365	28.70	1.130
0.13	.005	6.10	.240	24.51	.965
MM	IN	MM	IN	MM	IN

CONVERSION TABLE



<small>THIS DRAWING IS A CONTROLLED DOCUMENT FOR AMP INCORPORATED. IT IS SUBJECT TO CHANGE AND THE CONTROLLING ENGINEERING DEPARTMENT SHALL BE CONTACTED FOR THE LATEST REVISION.</small>		DWN J. HUFFMAN 8-14-95	AMP Incorporated Harrisburg, PA 17105-3608
DIMENSIONS: mm TOLERANCES UNLESS OTHERWISE SPECIFIED: Ø PLG ±.010 PLG ±.013 PLG ±.010 ANGLE ±.005 FINISH -		CKE R. SWING 8-14-95 APVD C. MARTIN 8-15-95 PRODUCT SPEC APPLICATION SPEC	
MATERIAL NYLON, UL 94V-0, NATURAL		WEIGHT - CUSTOMER DRAWING	SIZE A1 CAGE CODE 00779 DRAWING NO. ©-350347 SCALE 4:1 SHEET 1 OF 1 REV F