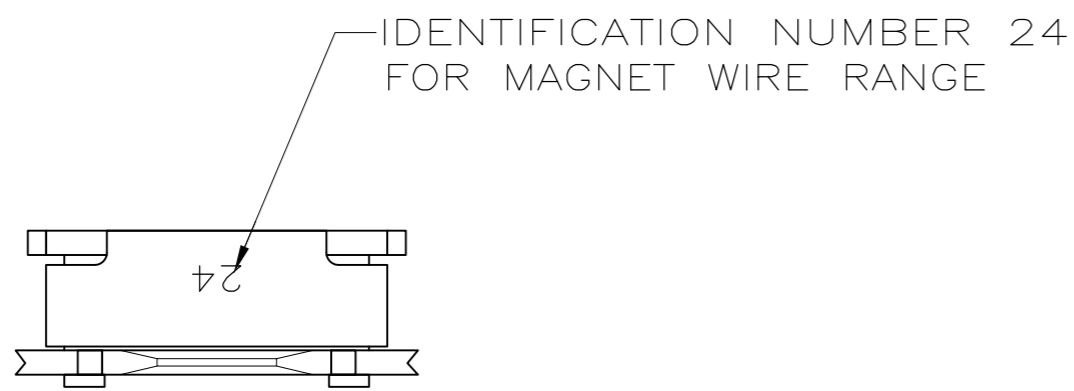
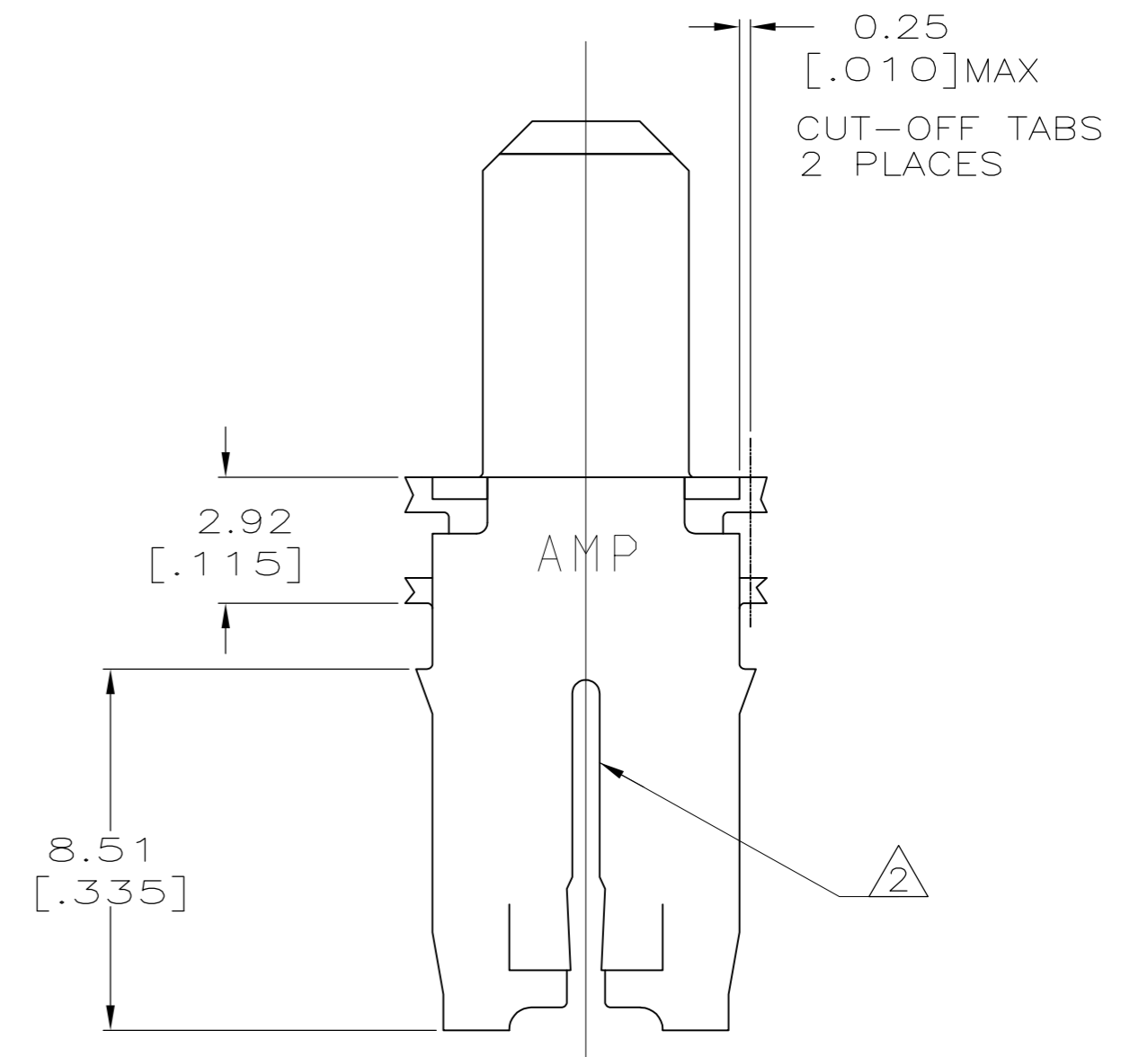
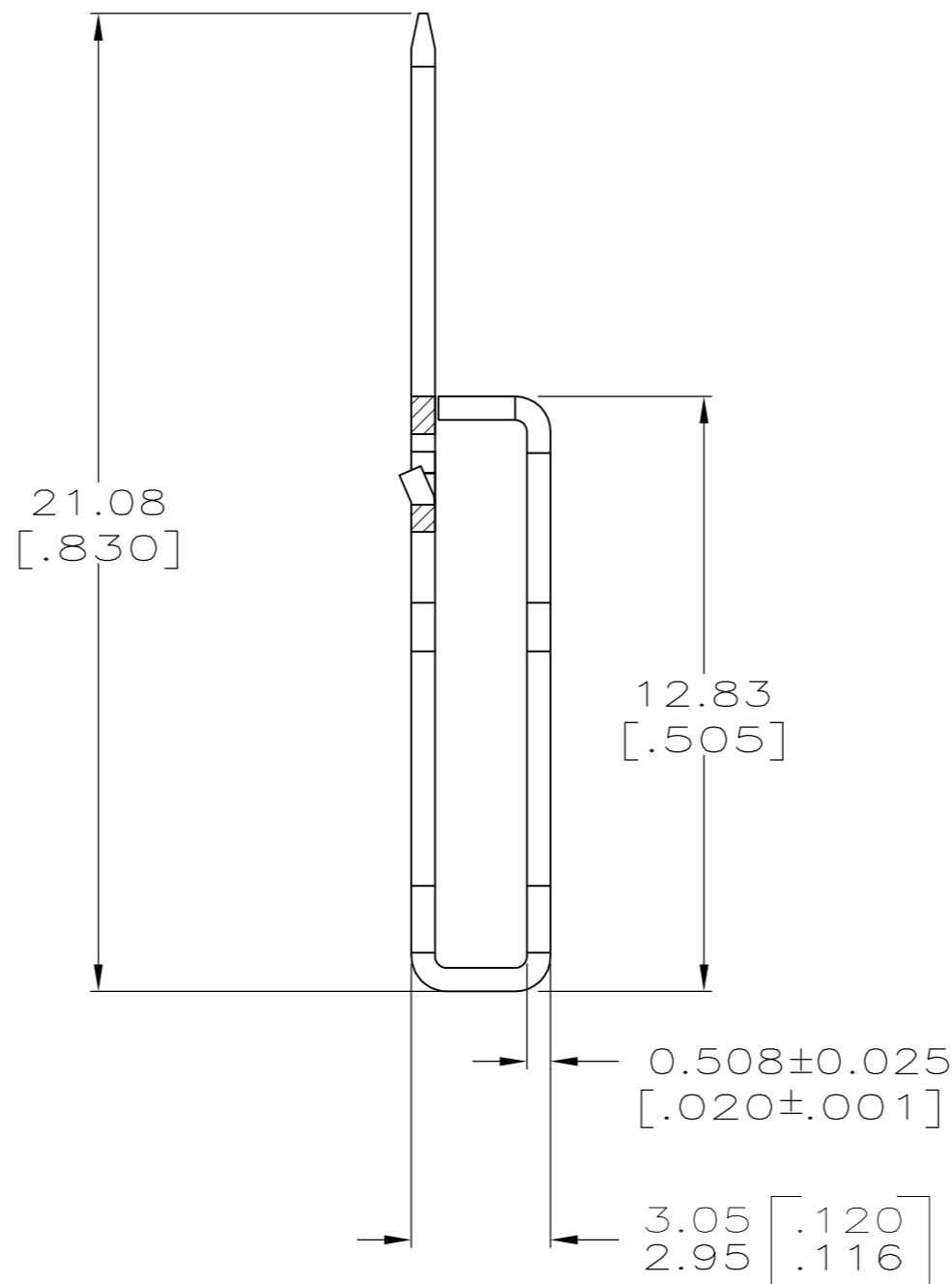
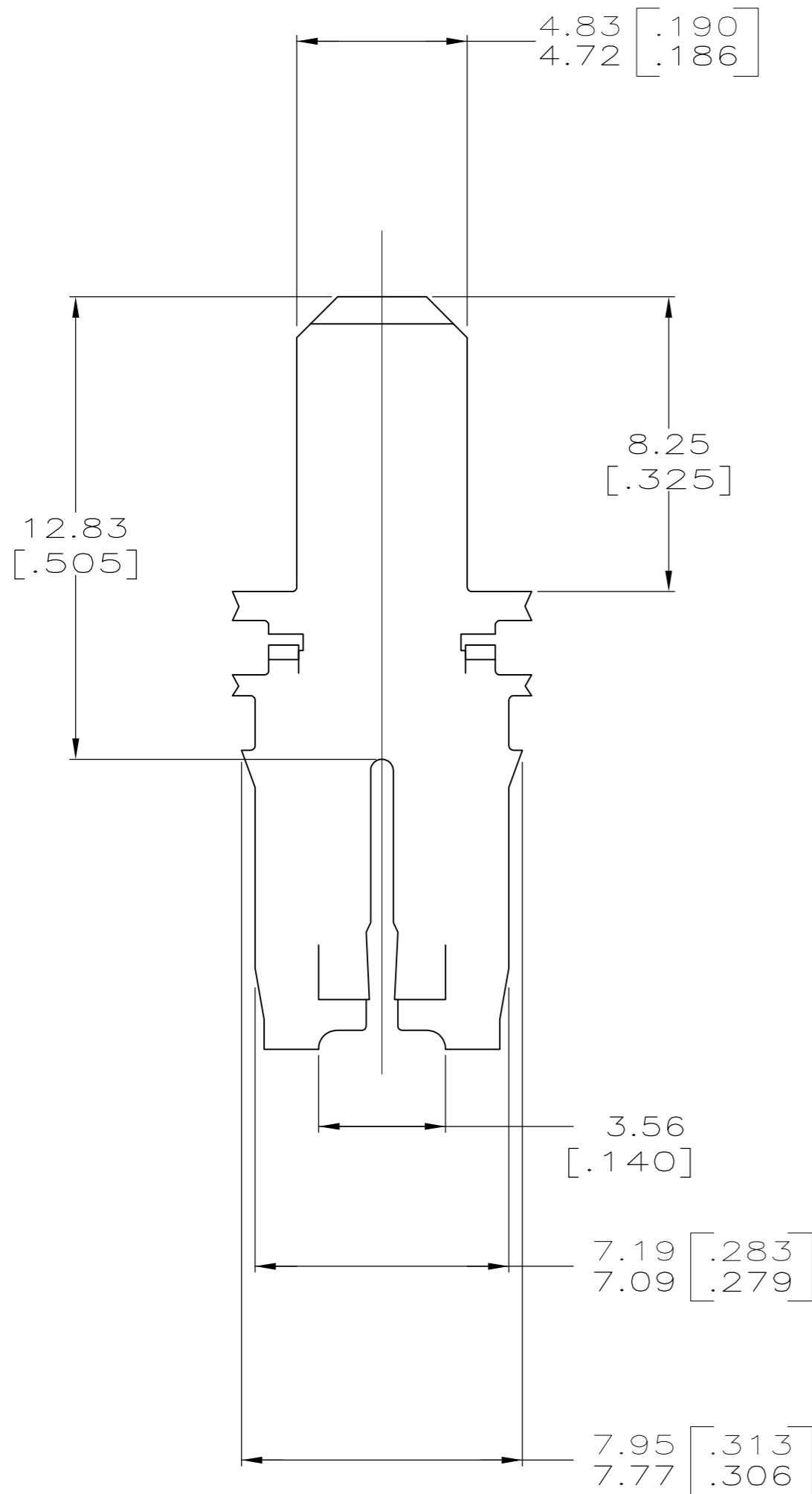


THIS DRAWING IS UNPUBLISHED. RELEASED FOR PUBLICATION
 © COPYRIGHT - By - ALL RIGHTS RESERVED.

LOC	DIST	REVISIONS			
P	LTR	DESCRIPTION	DATE	DWN	APVD
AF	50	C1	ECR-13-016672	25OCT13	PKS RRP



- 1 CONTINUOUS STRIP ON REELS WITH TERMINALS LOCATED ON 8.38±0.08 [.330± .003] CENTERS.
- 2 SLOT ACCEPTS 0.91-1.15mm [#19-#17] AWG COPPER MAGNET WIRE. 2 WIRES OF THE SAME SIZE MAX PER SLOT.
- 4 VARNISH RESIST OVER NICKEL PLATE.



1217492-1
PART NUMBER

THIS DRAWING IS A CONTROLLED DOCUMENT.		DWN MICHAEL S. FEHER 20SEP2000	STE TE Connectivity		
DIMENSIONS: INCHES		CHK KURT A. RANDOLPH 21SEP2000			
TOLERANCES UNLESS OTHERWISE SPECIFIED:		APVD KURT A. RANDOLPH 21SEP2000	NAME TERMINAL, TAB, 4.75 [.187] SERIES, 500 SERIES MAG-MATE™		
0 PLC ± -		PRODUCT SPEC 108-2012	SIZE A2	CAGE CODE 00779	DRAWING NO 1217492
1 PLC ± -		APPLICATION SPEC 114-2066	RESTRICTED TO -		
2 PLC ± 0.25[.010]		WEIGHT -	SCALE 6:1	SHEET 1 of 1	REV C1
3 PLC ± -		MATERIAL BRASS	CUSTOMER DRAWING		
4 PLC ± -		FINISH - 4			
ANGLES ± -					

1217492

A