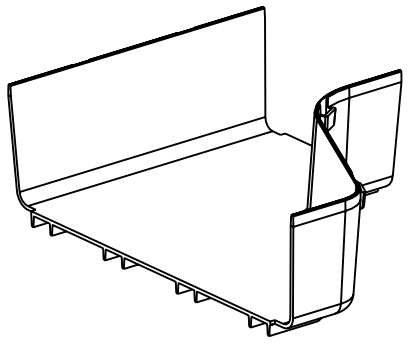
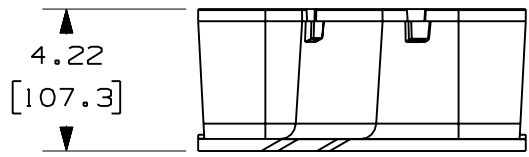
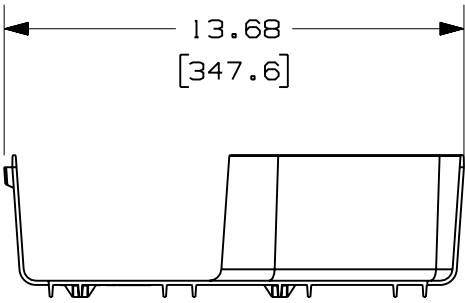


NOTES:

1. SEE CURRENT CATALOG FOR ADDITIONAL PART SUFFIXES TO INDICATE COLOR AND/OR PACKAGE QUANTITY.
2. THE FIBERRUNNER 12x4 TRANSITION LEFT WITH 6" EXITS IS DESIGNED WITH A MINIMUM 2" (50.8) BEND RADIUS TO PROTECT FIBER OPTIC CABLES.
3. DIMENSIONS IN PARENTHESES ARE IN METRIC.

PANDUIT PART NUMBER	WEIGHT
FRRF126L	1.01 LB/EACH (460g/EACH)



ENG. REF.: D37617XC_DC_FRRF126L_01.prt

CAD FILENAME/LAYERS **FRRF126L.pdf**

REV	DATE	BY	CHK	DESCRIPTION	ECN	R	CUST	SUP	GMBH
-	-----	---	---	E. REVISED PART WEIGHT	-----	--	--		
-	-----	---	---	D. REVISED GENERAL NOTES C. REVISED CAD FILENAME	-----	--	--		
1	7-13-06	DTP	RN	B. REVISED DRAWING TITLE A. REVISED AND REDRAWN	37617-114	RN	RN		

PANDUIT CORP		TINLEY PARK, ILLINOIS	
FIBERRUNNER 12x4 TRANSITION LEFT WITH 6" EXIT (FRRF126L)			
CUSTOMER DRAWING			
UNLESS OTHERWISE SPECIFIED, DIMENSIONAL TOLERANCES ARE: (.X) ± (.XXX) ± (.XX) ± .03 (.8) ANGLES ±		UNLESS OTHERWISE SPECIFIED, ALL DIMENSIONS ARE GIVEN IN INCHES, THIRD ANGLE PROJECTION.	
DRAWN BY JHNU	MAT'L: ABS	SCALE NONE	DWG A
DATE 5-24-01		DRAWING NO. 37617-114	SIZE A
CHK'D HIW			