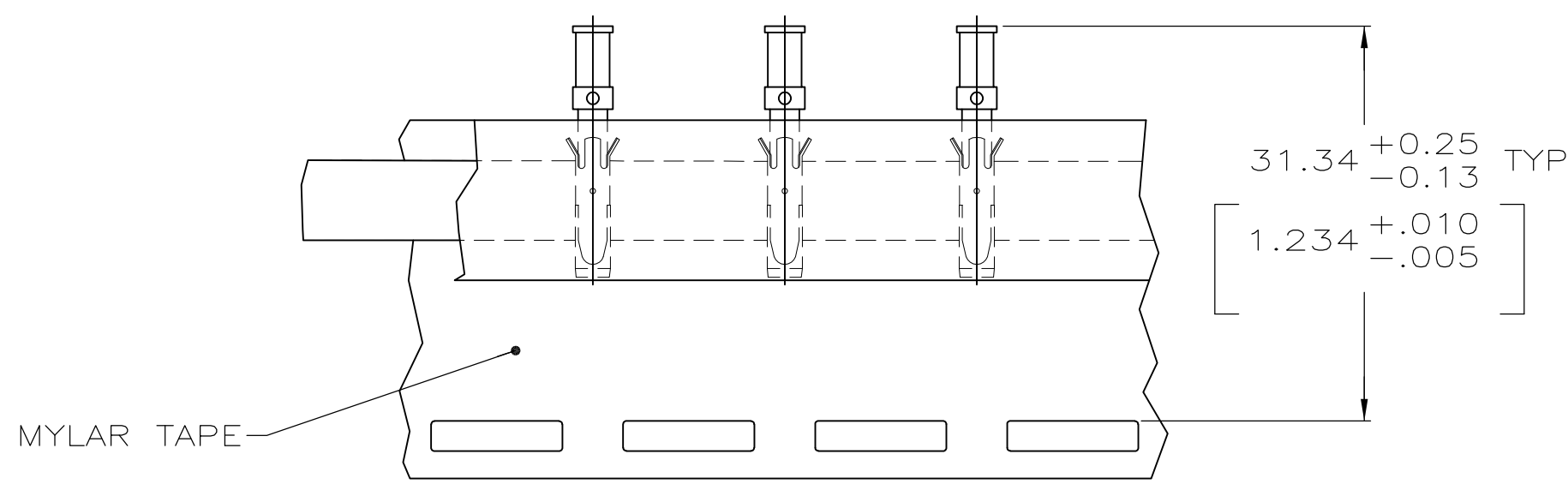
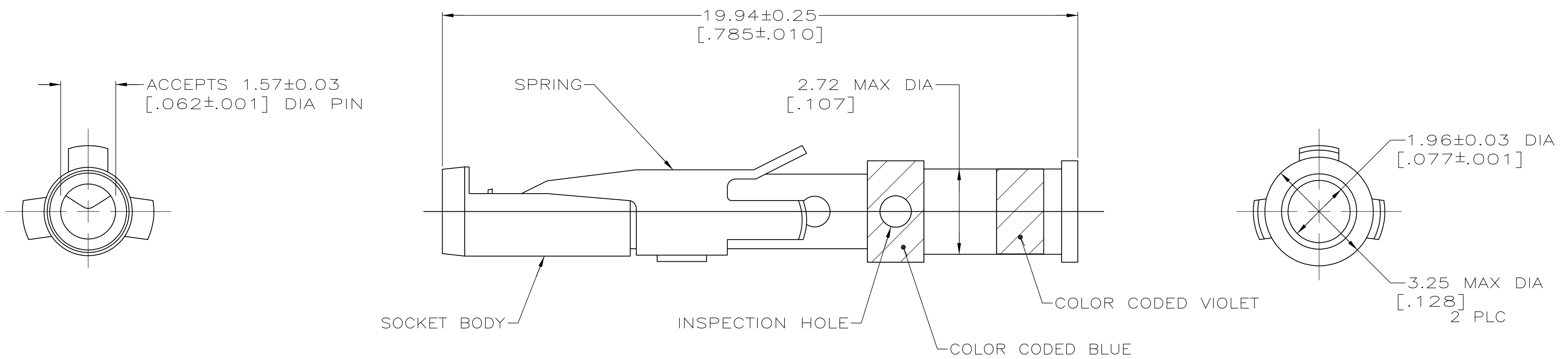


| P |  | F |  | ZONE |  | LTR |    | REVISIONS   |          | DATE   | APPD |
|---|--|---|--|------|--|-----|----|---|----------|--------|------|
|   |  |   |  |      |  |     | U  | ADDED -8 NPR 4680 AND REDRAWN ON CAD, OBS -4 EC 0020-344-93 | 04/06/93 | -      |      |
|   |  |   |  |      |  |     | U1 | REVISED PER ECO-09-020935                                   | 08SEP09  | KK AEG |      |



TAPE MTG DETAIL  
SCALE 2:1

- △ 0.76µm [.000030] MIN GOLD OVER 1.27µm [.000050] MIN NICKEL.
- △ 1.27µm [.000050] MIN GOLD OVER 1.27µm [.000050] MIN NICKEL.
- △ WHEN ORDERING CONTACT ASSEMBLY ON TAPE, ORDER BY THE TAPE NUMBER PLUS THE PACKAGING CODE AS FOLLOWS:
  1. FOR USE WITH AMP TAPETRONIC, PNEUMATIC TOOL-
    - A. 1000 PARTS TO A BOX ADD PACKAGING CODE: 1MBOX
  2. FOR USE WITH 4/8 INDENT STRIPPER CRIMPER-
    - A. 1000 PARTS TO A REEL ADD PACKAGING CODE: 1MREEL
    - B. 5000 PARTS TO A REEL ADD PACKAGING CODE: 5MREEL
- △ OBSOLETE PARTS: OBSOLETE CIS STREAMLINING PER D.RENAUD/D.SINISI

|  |          |                           |  |              |
|--|----------|---------------------------|--|--------------|
| △ 4  | OBSOLETE | SMALL PACK                | △ 1  | -201568-8-   |
|  | OBSOLETE | STANDARD                  | △ 2  | 201568-4     |
|  |          | TAPE MTG (SEE DETAIL) △ 3 | △ 1  | 201568-3     |
|  |          | STANDARD                  | △ 1  | 201568-1     |
|  |          | PACKAGING TYPE            | SOCKET BODY FINISH                             | PART NO      |
| DO NOT SCALE PRINT. UNLESS SPECIFIED DIMENSIONS IN mm [INCHES] TOLERANCES ON : |          | DR 04/06/93 D.GELTZ       | AMP Incorporated<br>Harrisburg, PA 17105-3608  |              |
| 2 PLC DEC ± -  |          | CHK 4-26-93 R.STONE       |  |              |
| 3 PLC DEC ± -  |          | APPD 4-29-93 R.S.KLINE    | NAME   |              |
| ANGLES ± -   |          | APPD -                    | CONTACT ASSEMBLY, SOCKET, #16, 14 AWG, TYPE II |              |
| MATERIAL   |          | PRODUCT SPEC              |  |              |
| SOCKET BODY: COPPER ALLOY  |          | APPLICATION SPEC          | SIZE   | CAGE CODE    |
| SPRING: STAINLESS STEEL  |          |                           | SCALE  | DRAWING NO   |
| FINISH   |          |                           |  |              |
| SOCKET BODY: SEE TABLE   |          |                           | 10:1   | 00779        |
|  |          | WEIGHT                    |  | C-201568     |
|  |          |                           |  | SHEET 1 OF 1 |

THIS DRAWING IS A CONTROLLED DOCUMENT FOR AMP INCORPORATED. IT IS SUBJECT TO CHANGE AND THE CONTROLLING ENGINEERING ORGANIZATION SHOULD BE CONTACTED FOR THE LATEST REVISION.