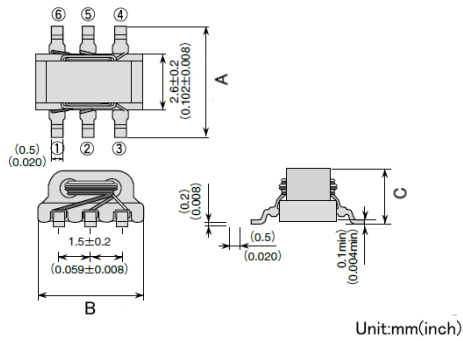


SMD Common Mode Choke Coils for DC and Signal Lines

BU05MC08T



■ Features

- Item Summary
700 Ω, 0.5 A, 5.3x5.0x2.9mm
- Lifecycle Stage
Mass Production
- Standard packaging quantity (minimum)
Taping 2500pcs

■ Products characteristics table

| | |
|-------------------------------|---|
| No. of Lines | 3 |
| Common Mode Impedance | 700 Ω typ at 60MHz |
| Case Size (mm) | 5.3x5.0 |
| DC Resistance (max) | 0.11 Ω |
| Rated Current (max) | 0.5 A |
| Rated Voltage (max) | 50 V |
| Operating Temp. Range | -25 to +105 °C (Including-self-generated heat) |
| Insulation Resistance (min) | 100 MΩ |
| RoHS2 Compliance (10 subst.) | Yes |
| REACH Compliance (173 subst.) | Yes |
| Soldering | Reflow |

■ External Dimensions

| | |
|-------------|-------------|
| Dimension A | 5.3 ±0.5 mm |
| Dimension B | 5.0 ±0.3 mm |
| Dimension C | 2.7 ±0.2 mm |

2017.04.30

The data is reference only. Electrical characteristics vary depending on environment or measurement condition. TAIYO YUDEN reserves the right to make change to the Date at any time without notice. Before making final selection, please check product specification.