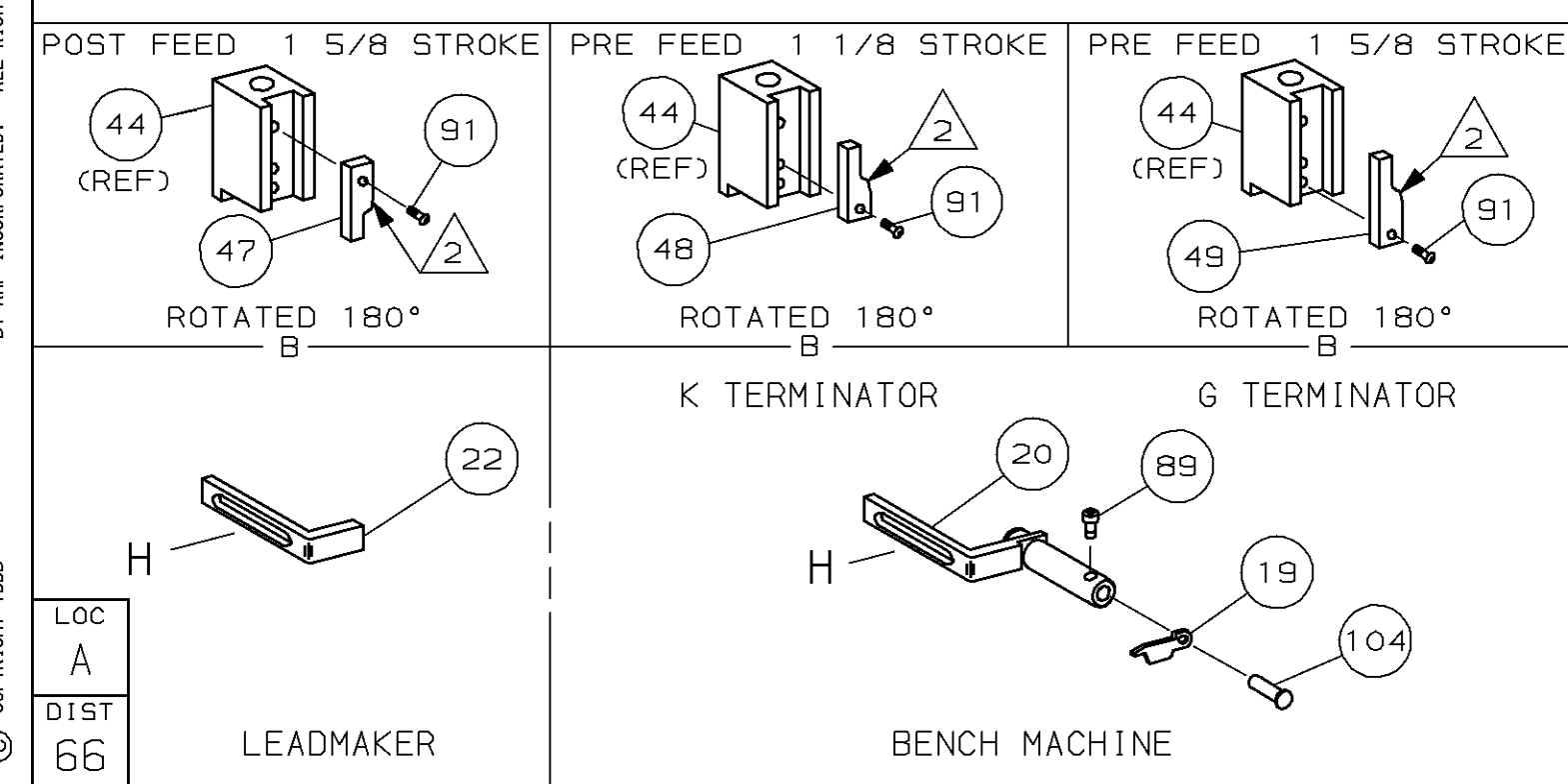
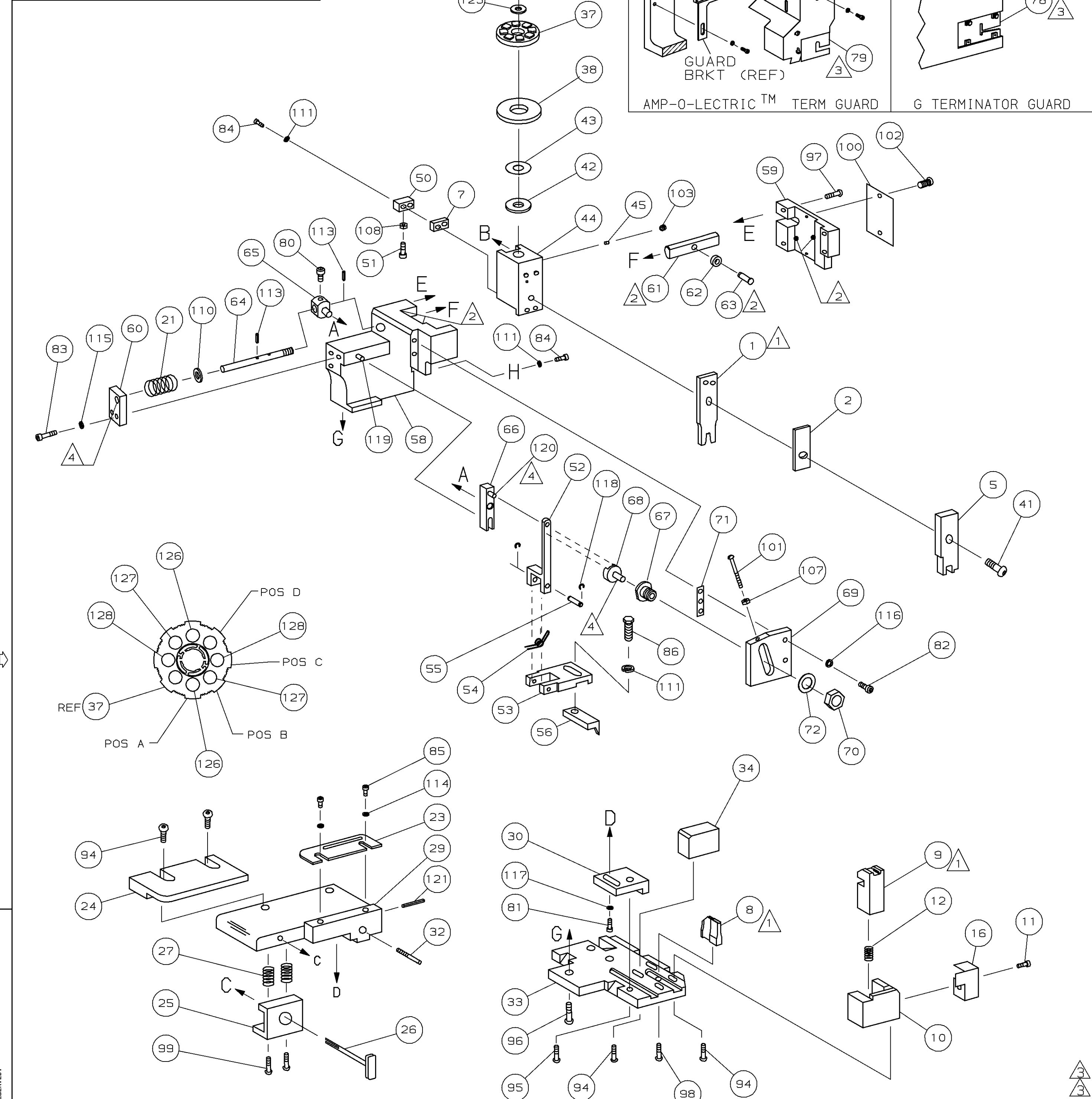


PART NUMBER	REV	FIRST USED
680726-1	A	122500-1
680726-2	A	565435-5
680726-3	A	354500-1



- 1 RECOMMENDED SPARE PARTS.
- 2 GREASE LIGHTLY.
- 3 GUARD MUST BE IN PLACE WHEN OPERATING APPLICATOR IN A BENCH MACHINE.
- 4 LUBRICATE DAILY USING NO. 20 MACHINE OIL.
- 5. ITEMS WITH QTY OF REF SPECIFIED (EXCEPT ITEMS 78 AND 79) ARE USED ON ITEM 46.

TERMINAL NAME: TAB, FASTON, .110 SERIES			
PAD LTR	CRIMP HEIGHT	WIRE SIZE	
A	.068 ±.002 [1.73 ±0.05mm]	16	
B	.063 ±.002 [1.60 ±0.05mm]	18	
C	.059 ±.002 [1.50 ±0.05mm]	20	
D	NOT	USED	
CRIMP	SIZE	TYPE	RANGE
WIRE	.110 [2.79mm]	F	20-16
INSUL	-	-	-

QTY REQD PER ASSY	TERM APPL	SPEC	FEED	APPL INSTRUCTION	SET UP GAGE	LAYOUT	ITEM NO
2	2	2	-	C	2-354779-2	PIN, WIRE DISC (.3100)C	129
2	2	2	-	C	1-354779-2	PIN, WIRE DISC (.3050)B	127
2	2	2	-	C	354779-2	PIN, WIRE DISC (.3000)A	126
1	1	1	-	A	986950-1	WASHER, FLAT PRECISION	125
1	1	1	-	A	217238-1	GENERAL INSTRUCTION PACKAGE	124
1	1	1	-	-	4088040	SF APPL INST 408-8040	123
1	1	1	-	A	4-21028-0	PIN,SLT SPR(φ.093x.75)ST 6DE PL	121
REF	REF	REF	-	A	1-21030-1	PIN,DOWEL(φ.187x.50)LEVER	120
REF	REF	REF	-	A	1-21030-6	PIN,DOWEL(φ.187x1.25)HOUSING	119
REF	REF	REF	-	A	21045-3	RING,RET "C"(φ.187)FD FING PIN	118
1	1	1	-	A	21024-5	WASHER, LOCK (#10) ADJ BLOCK	117
REF	REF	REF	-	A	21024-5	WASHER, LOCK (#10) ADJ PLATE	116
REF	REF	REF	-	A	21024-5	WASHER, LOCK (#10) FEED GDE ROD	115
2	2	2	-	A	21024-2	WASHER, LOCK (#4) FRONT STP GUIDE	114
REF	REF	REF	-	A	5-21028-1	PIN,SLT SPR(φ.125x.50)ADJ ROD	113
4	4	4	-	A	21024-4	WASHER, LOCK (#8) STRIPPER	111
REF	REF	REF	-	A	21899-4	WASHER, FLAT(φ5/16) SCREW ADJ	110
1	1	1	-	A	21018-5	NUT, HEX (NO. 6) HOLDDOWN	109
REF	REF	REF	-	A	21068-5	NUT, HEX (6-32) FEED ADJ	107
1	1	1	-	A	992031-1	PIN, CLEVIS	104
1	1	1	-	A	21009-2	SCR,SKT SET(1/4-20x.25 LW)RAM	103
2	2	2	-	A	21017-2	SCR,DRIVE (#2x.19) ID PLATE	102
REF	REF	REF	-	A	6-23715-5	SCR,PAN HD(6-32x1.50)FEED ADJ	101
1	1	1	-	B	461264-1	PLATE, IDENTIFICATION	100
2	2	2	-	A	3-21002-0	SCR,BHC(10-32x.88)DRAG	99
1	1	1	-	A	22733-8	SCR,BHC(8-32x.38 LW)ANVIL	98
REF	REF	REF	-	A	2-21002-9	SCR,BHC(10-32x.75)CAP	97
REF	REF	REF	-	A	2-22733-8	SCR,BHC(10-32x.62)HOUSING	96
REF	REF	REF	-	A	2-21002-7	SCR,BHC(10-32x.50)SG ADJ BLOCK	95
6	6	6	-	A	2-21002-2	SCR,BHC(8-32x.50)TERM H DWN	94
1	1	1	-	A	1-21002-7	SCR,BHC(6-32x.38)CAM	91
1	1	-	-	A	7-21000-9	SCR,SHC(4-40x.19)STRIPPER	89
1	1	1	-	A	2-22603-0	SCR,HEX HD(8-32x.31)FEED FINGER	86
2	2	2	-	A	1-21000-3	SCR,SHC(4-40x.25)F ST GUIDE	85
3	3	3	-	A	2-21000-7	SCR,SHC(8-32x.50)STRIPPER	84
REF	REF	REF	-	A	3-21000-7	SCR,SHC(10-32x.75)FEED ROD 6D	83
REF	REF	REF	-	A	3-21000-6	SCR,SHC(10-32x.62)FD ADJ BLK	82
1	1	1	-	A	3-21000-4	SCR,SHC(10-32x.38)SG ADJ BL	81
REF	REF	REF	-	A	3-21000-4	SCR,SHC(10-32x.38)PIVOT BLK	80
-	REF	-	-	B	455749-1	GUARD, WINDOW	79
REF	-	-	-	B	679532-1	INSERT, GUARD	78
REF	REF	REF	-	A	458109-1	WASHER, SPECIAL	72
REF	REF	REF	-	A	690517-1	SPACER	71

QTY REQD PER ASSY	LEADMAKER	MECH POST FEED	ITEM NO
-1	BENCH MODEL K	MECH PRE FEED	70
-2	BENCH MODEL G	MECH PRE FEED	69
-3	BENCH MODEL G	MECH PRE FEED	68
REF	REF	REF	22594-8
REF	REF	REF	240628-1
REF	REF	REF	240626-1
REF	REF	REF	240633-1
REF	REF	REF	455680-1
REF	REF	REF	240629-1
REF	REF	REF	240632-2
REF	REF	REF	240659-3
REF	REF	REF	240658-1
REF	REF	REF	454398-2
REF	REF	REF	454178-1
REF	REF	REF	454220-1
REF	REF	REF	454485-1
1	1	1	690542-2
REF	REF	REF	240624-1
REF	REF	REF	691499-1
REF	REF	REF	690541-1
REF	REF	REF	455679-1
1	1	1	811242-2
1	1	1	690753-1
1	-	-	690602-6
-	1	-	690602-5
-	-	1	690501-4
1	1	1	459456-1
1	1	1	690191-1
1	1	1	455673-1
1	1	1	690125-1
1	1	1	690124-1
1	1	1	7-21002-9
1	1	1	690223-2
1	1	1	354777-1
1	1	1	22480-5
1	1	1	690212-1
1	1	1	690786-1
REF	REF	REF	455675-1
1	1	1	690432-3
REF	REF	REF	455689-1
1	1	1	455671-1
2	2	2	1-22284-0
1	1	1	690546-1
1	1	1	240792-1
1	1	1	4-690440-9
1	1	1	690438-1
-	-	1	690472-2
REF	REF	REF	4-22284-9
1	1	-	679218-1
1	1	-	458949-1
1	1	1	318563-1
1	1	1	5-22280-0
1	1	1	690461-1
1	1	1	690459-1
1	1	1	454276-1
1	1	1	1-904717-9
1	1	1	3-240641-8
1	1	1	1-455889-4
1	1	1	2-455888-8
1	1	1	4-456408-0
-3	-2	-1	U/M