

4

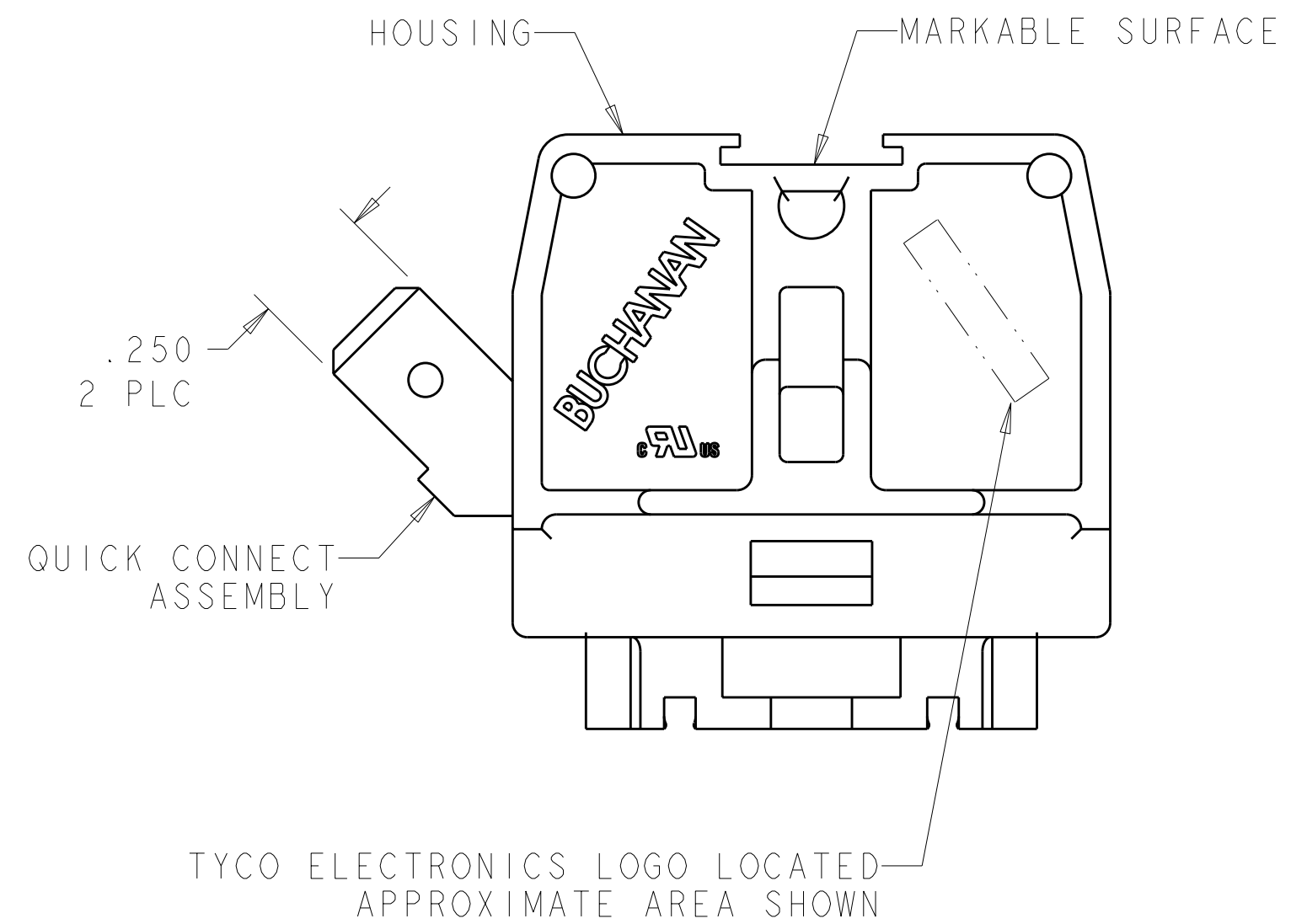
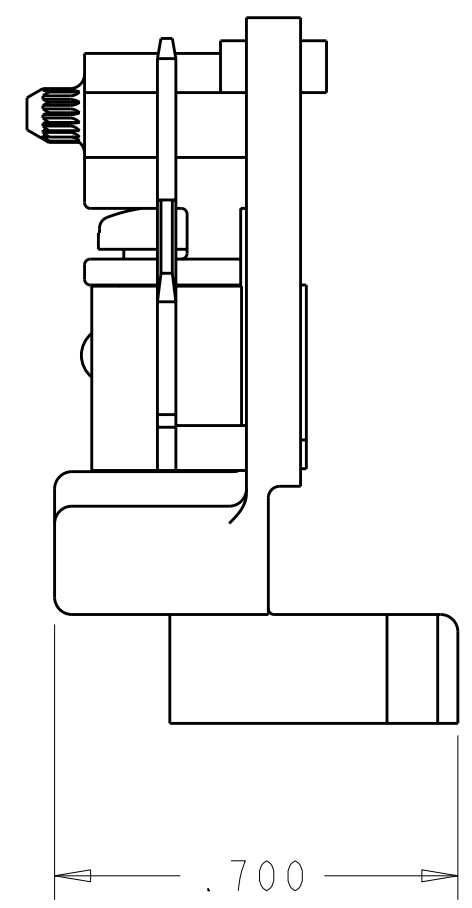
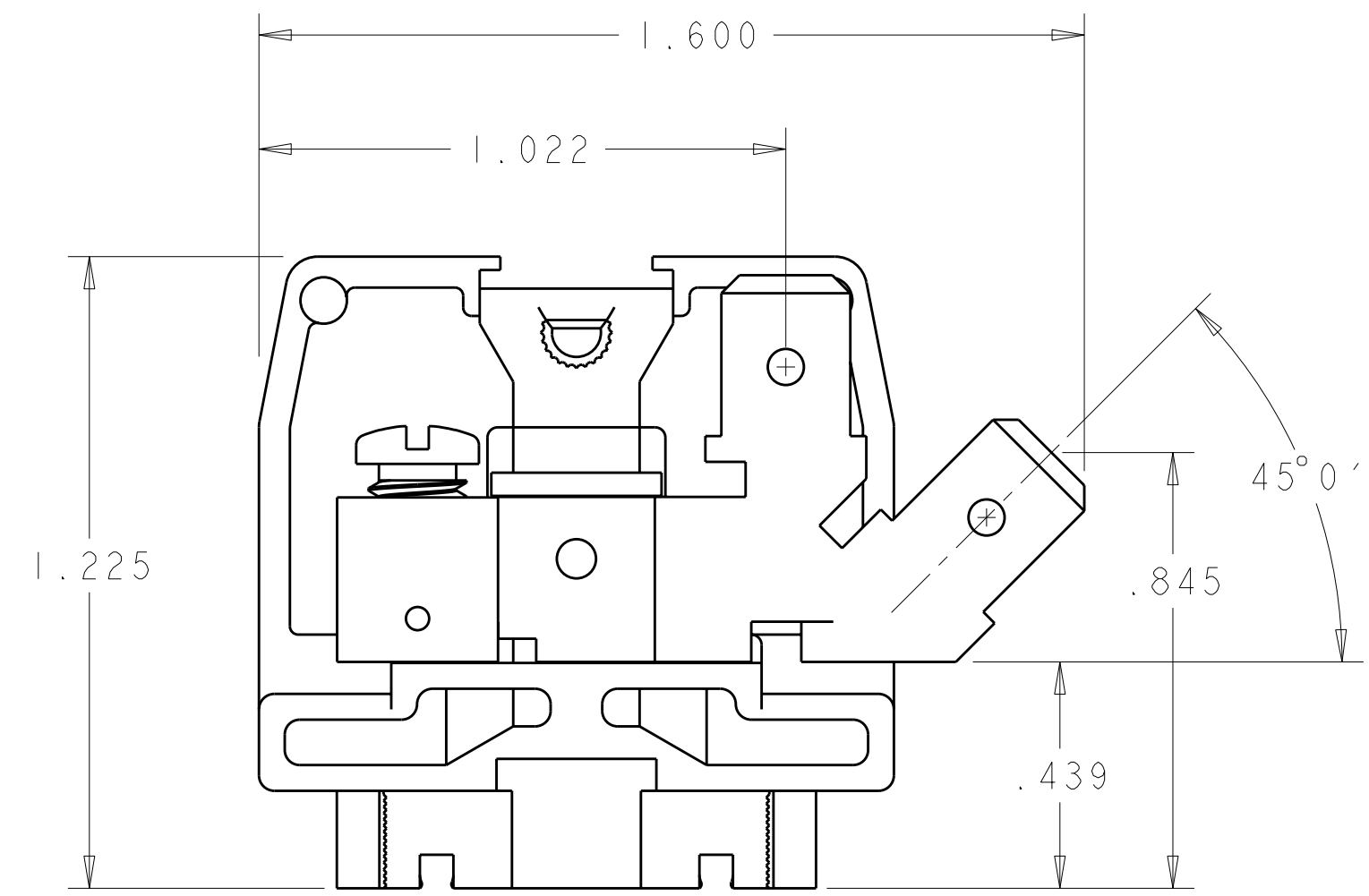
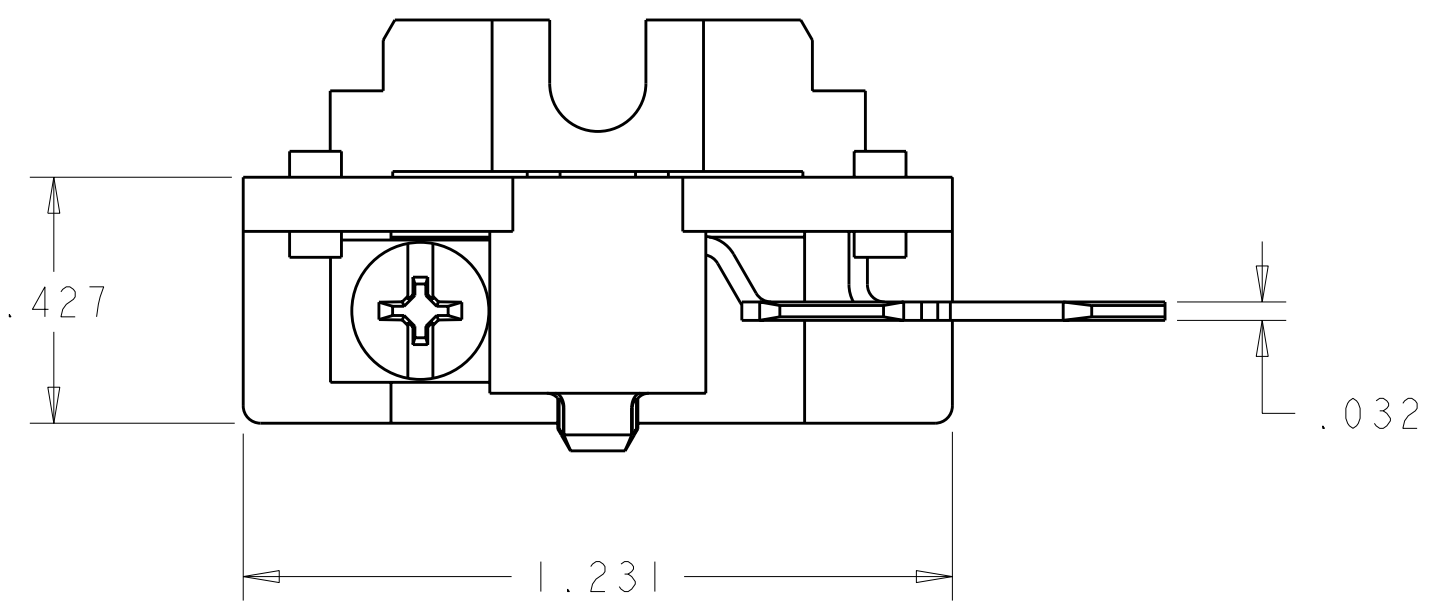
3

2

1

THIS DRAWING IS UNPUBLISHED. RELEASED FOR PUBLICATION 20
 © COPYRIGHT 20 BY TYCO ELECTRONICS CORPORATION. ALL INTERNATIONAL RIGHTS RESERVED.

LOC	DIST	REVISIONS			
P	LTR	DESCRIPTION	DATE	DWN	APVD
FT	0				
	C	REVISED PER ECO-10-006414	29MAR2010	HMR	CR



1. PHYSICAL PROPERTIES
 HOUSING: POLYESTER, UL 94V-0 RATED, COLOR: GRAY.
 QUICK CONNECT ASSEMBLY
 QUICK CONNECT: COPPER ALLOY, TIN PLATED.
 SCREW: STEEL, ZINC PLATED CLEAR CHROMATE.
 TUBULAR CONTACT: COPPER ALLOY, ZINC PLATED

2. MECHANICAL
 PITCH: .375
 MOUNTING: DIRECT MOUNT OR MINIATURE CHANNEL.
 OPERATING TEMPERATURE: 150°C MAX.
 TORQUE: RECOMMENDED TIGHTENING TORQUE IS 10 IN-LBS.

3. ELECTRICAL
 MAXIMUM CURRENT: 20A
 OPERATING VOLTAGE: 300 V
 WIRE RANGE: 12-18 AWG.

1546151-1
 PART NUMBER

THIS DRAWING IS A CONTROLLED DOCUMENT FOR TYCO ELECTRONICS CORPORATION. IT IS SUBJECT TO CHANGE AND THE CONTROLLING ENGINEERING ORGANIZATION SHOULD BE CONTACTED FOR THE LATEST REVISION.		DWN S. WELDON 17JUN2002	Tyco Electronics Harrisburg, PA 17105-3608	
DIMENSIONS: INCHES		CHK S. YODER 17JUN2002	NAME ASSEMBLY, TERMINAL BLOCK, NEMA, FLAT BASE, MEDIUM DUTY, TUBULAR QUICK CONNECT	
TOLERANCES UNLESS OTHERWISE SPECIFIED:		APVD S. YODER 17JUN2002	SIZE CAGE CODE DRAWING NO RESTRICTED TO	
0 PLC ±-	1 PLC ±-	PRODUCT SPEC	A200779C-1546151	
2 PLC ±-	3 PLC ±.005	APPLICATION SPEC	SCALE 3:1 SHEET 1 OF 1 REV C	
4 PLC ±-	ANGLES ±-	WEIGHT -		
MATERIAL	FINISH	CUSTOMER DRAWING		