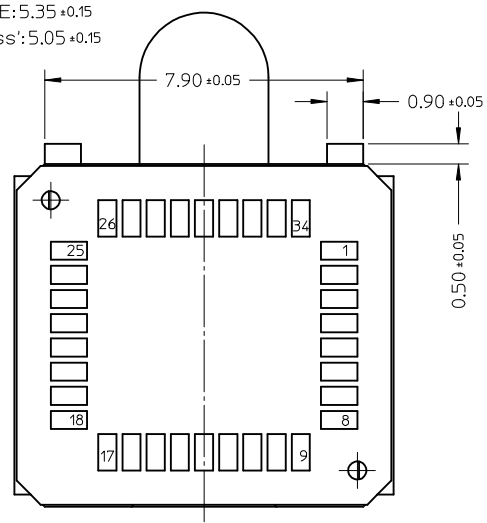
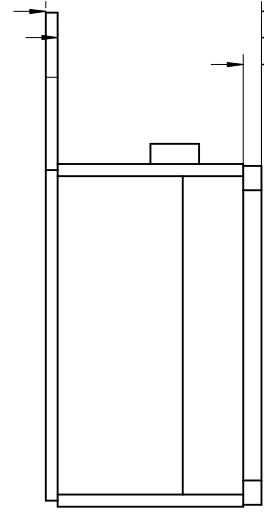
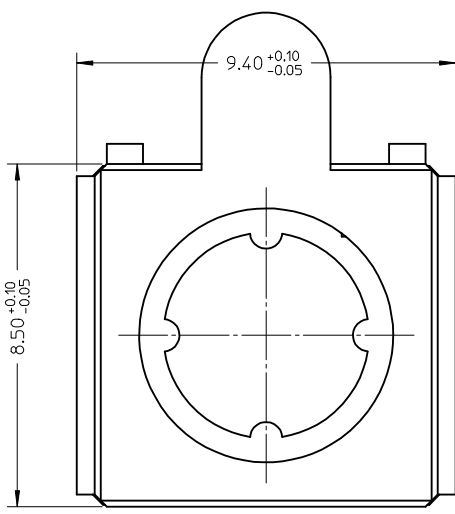
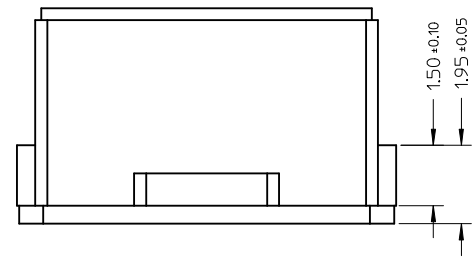




10 9 8 7 6 5 4 3 2 1



WITH TAPE: 5.35 ± 0.15  
 Module Ass': 5.05 ± 0.15  
 HPCB 0.45



RELEASED EC NO: SH2013-0473 DRWN: WJHUO 2013/06/27 CHKD: APPR: AYIN 2013/07/05	DESCRIPTION 1	QUALITY SYMBOLS	GENERAL TOLERANCES (UNLESS SPECIFIED)		DIMENSION STYLE MM ONLY	SCALE 10:1	DESIGN UNITS METRIC	THIRD ANGLE PROJECTION		
			mm	INCH	DRAWN BY WJHUO	DATE 2013/06/27	TITLE SD DRAWING FOR 8.5 X 9.5 TOP MOUNT CAMERA SOCKET			
			4 PLACES ± ---	± ---	CHECKED BY	DATE				
			3 PLACES ± ---	± ---	APPROVED BY	DATE 2013/07/05	MATERIAL NO. <b>1051990001</b>			
	2 PLACES ± 0.15	± ---	MATERIAL NO. 1051990001		DOCUMENT NO. SD-105199-001	SHEET NO. 2 OF 2				
	1 PLACE ± 0.20	± ---	DRAFT WHERE APPLICABLE MUST REMAIN WITHIN DIMENSIONS		THIS DRAWING CONTAINS INFORMATION THAT IS PROPRIETARY TO MOLEX INCORPORATED AND SHOULD NOT BE USED WITHOUT WRITTEN PERMISSION					
	0 PLACE ± ---	± ---	ANGULAR ± 3 °							

9 8 7 6 5 4 3 2 1