

DWG. NO.
SD-35573-001

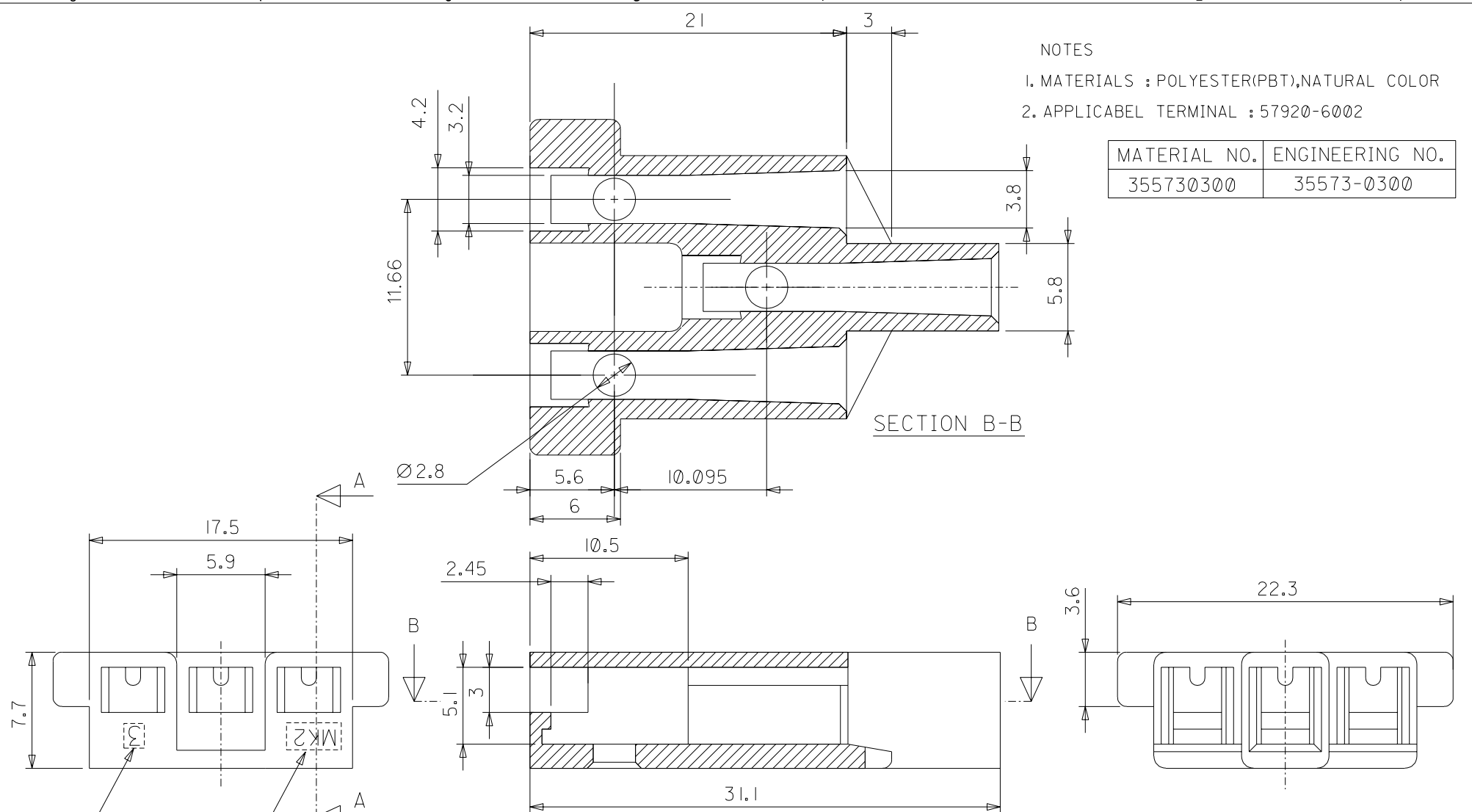
SIMILAR ITEM

PROJECT NO.

C

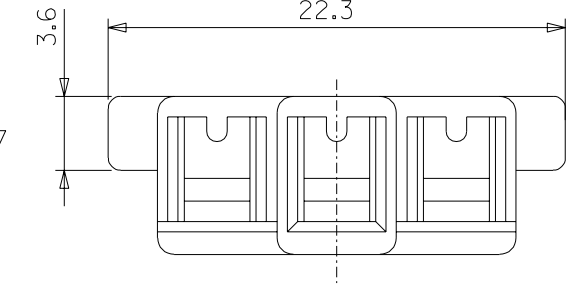
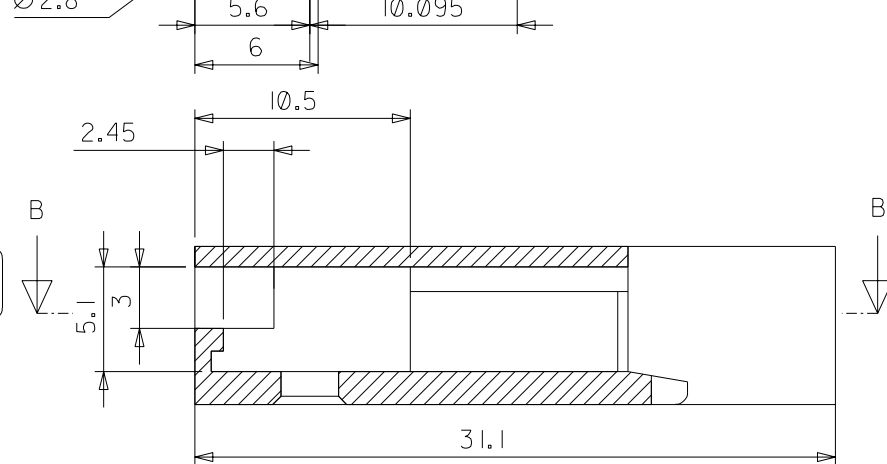
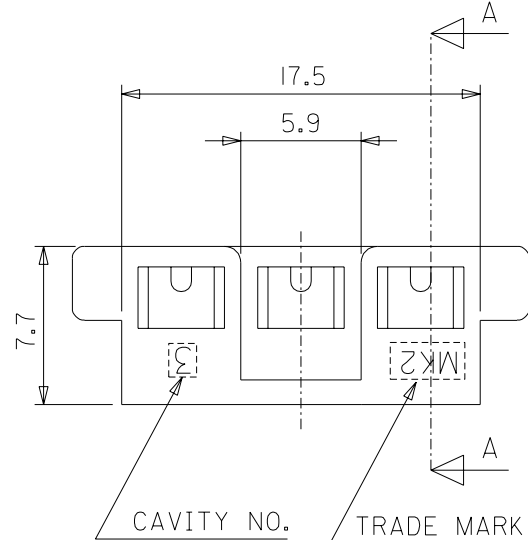
B

DO NOT SCALE DRAWING
DIMENSION IN METRIC



NOTES
 1. MATERIALS : POLYESTER(PBT),NATURAL COLOR
 2. APPLICABEL TERMINAL : 57920-6002

MATERIAL NO.	ENGINEERING NO.
355730300	35573-0300



REVISED EC NO. KOR2002-0093 DRWN: C.B.CHIN 02/03/21 CHK: W.Y.YANG APPR: C.W.LEE	DESCRIPTION	QUALITY SYMBOLS	GENERAL TOLERANCES: (UNLESS SPECIFIED)		SCALE 4:1	DESIGN UNITS <input checked="" type="checkbox"/> mm <input type="checkbox"/> INCH	THIRD ANGLE PROJECTION <input type="checkbox"/> mm <input type="checkbox"/> INCH <input checked="" type="checkbox"/> mm ONLY	SHT	REV
		MAJOR = 0	mm	INCH	DRAWN BY & DATE W.Y.YANG 99/11/13	TITLE: CLUSTER BLOCK HOUSIG-3P (2.29 DIA. PIN)			
B	REV	CRITICAL = 0	4 PLACES	±0.	±.	CHECKED BY & DATE B.K.CHOI 99/11/13	MOLEX INCORPORATED		
			3 PLACES	±0.	±.	APPROVED BY & DATE C.W.LEE 99/11/13			
			2 PLACES	±0.25	±.	CAD FILENAME S35573.DGN	MATERIAL NO. SEE CHART	DRAWING NO. SD-35573-001	SHEET NO. 1 OF 1
			1 PLACE	±0.25	±.	THIS DRAWING CONTAINS INFORMATION THAT IS PROPRIETARY TO MOLEX INCORPORATED AND SHOULD NOT BE USED WITHOUT WRITTEN PERMISSION.		SIZE B	
DRAFT WHERE APPLICABLE MUST REMAIN WITHIN DIMENSIONS			ANGULAR: ± °						