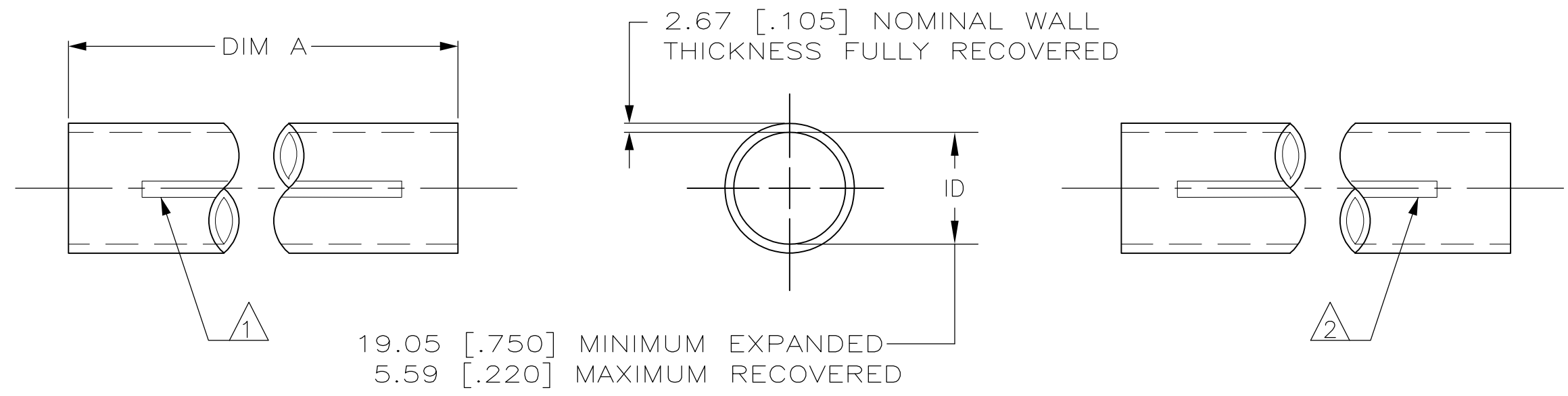


THIS DRAWING IS UNPUBLISHED. RELEASED FOR PUBLICATION .19
 © COPYRIGHT 19 BY AMP INCORPORATED. ALL RIGHTS RESERVED.

LOC	DIST	REVISIONS			
P	LTR	DESCRIPTION	DATE	DWN	APVD
AA	25	M	ADD: 8/4; NPR C99-007	03FEB99	GG EH
		M1	REVISED PER ECO-09-020932	05SEP09	KK AEG



- 1 PRODUCT MARKED WITH AMP, AND DATE CODE WITH 6.35 [.25] HIGH CHARACTERS USING WHITE INK LOCATED ALONG THIS SURFACE. REPEATED EVERY 203.2 [8.0].
- 2 PRODUCT MARKED .750 - .220/ 19mm - 5.6mm WITH 6.35 [.25] HIGH CHARACTERS USING WHITE INK LOCATED ALONG THIS SURFACE. REPEATED EVERY 203.2 [8.0].
- 3 SEALANT APPLIED TO TUBING THROUGHOUT LENGTH.
- 4 DIMENSIONS SPECIFIED WITHOUT SEALANT.
- 5 KIT CONSISTING OF 1-53711-4, 25 PIECES.
- 6 WEIGHT PER LINEAR FOOT: 31.7 GRAMS/.07 POUND.
- 7 KIT CONSISTING OF 53711-3, 2 PIECES.
- 8 KIT CONSISTING OF 53711-1, 1000 PIECES.
- 9 OBSOLETE PARTS: OBSOLETE CIS STREAMLINING PER D.RENAUD/D.SINISI

	8	9	8-53711-4
	7	9	8-53711-3
304.8 ±4.8 [12.00 ±.19]			1-53711-4
1244.6 - 1219.2 [49.00 - 48.00]		9	1-53711-0
50.8 ±3.3 [2.00 ± .13]			53711-9
38.1 ±3.3 [1.50 ±.13]		9	53711-8
	5		53711-5
228.6 ±4.8 [9.00 ±.19]			53711-4
152.4 ±4.8 [6.00 ±.19]			53711-3
101.6 ±4.8 [4.00 ±.19]			53711-2
76.2 ±4.8 [3.00 ±.19]			53711-1

THIS DRAWING IS A CONTROLLED DOCUMENT.		DWN W CHANDLER 11FEB99	AMP AMP Incorporated Harrisburg PA 17105-3608	
DIMENSIONS: mm [INCHES]		CHK N JONES 3-31-94		
TOLERANCES UNLESS OTHERWISE SPECIFIED:		APVD D. KAAT 3-31-94	NAME AMPSULATION HWP31, HST, WITH SEALANT, .750 INCHES DIAMETER	
0 PLC ± -		PRODUCT SPEC	SIZE	
1 PLC ± -			CAGE CODE	
2 PLC ± -		APPLICATION SPEC	DRAWING NO	
3 PLC ± -			RESTRICTED TO	
4 PLC ± -		WEIGHT	A3 00779 C-53711	
ANGLES ± -			SCALE NTS SHEET 1 OF 1 REV M1	
FINISH		CUSTOMER DRAWING		