

INVENTORS

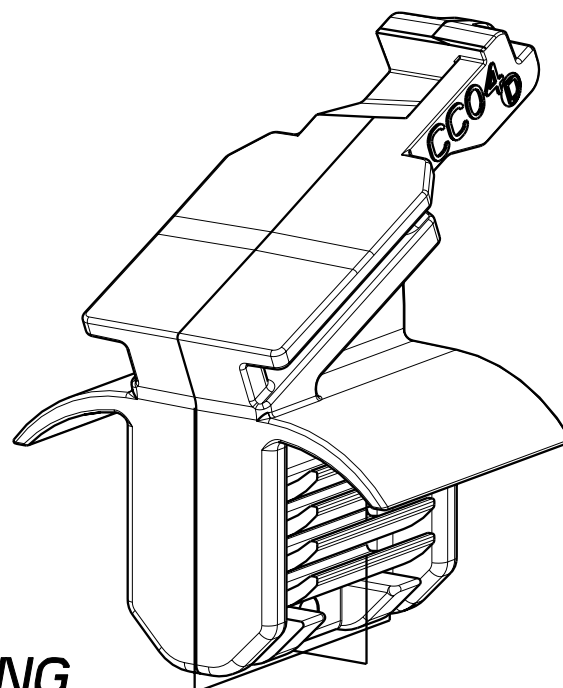
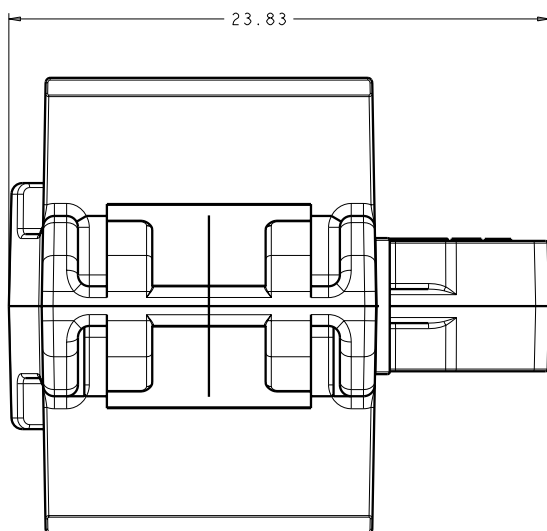
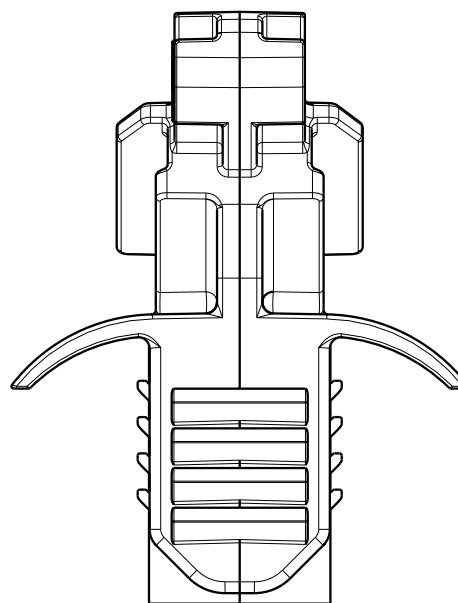
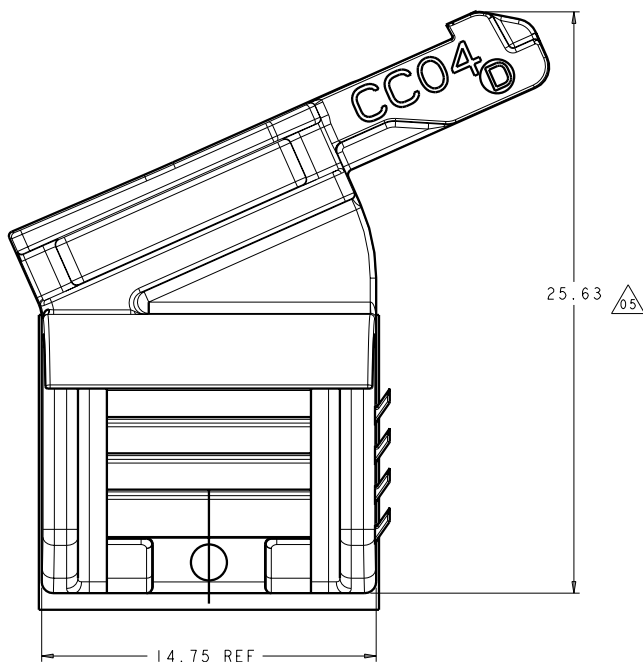
HellermannTyton®

ALL PROPRIETARY RIGHTS IN THE SUBJECT MATTER SHOWN ON THIS DRAWING ARE EXCLUSIVE PROPERTY OF HELLERMANNTYTON

name	date	city, state
SJA	3/28/2005	MENOMONEE FALLS, WI.

NOTES

- PERFORMANCE REQUIREMENTS AT DRY AS MOLDED:
1. FIR TREE PUSH IN FORCE: 30 lbs MAX IN A 8.0mm X 15.0mm HOLE AND A SHEET METAL THICKNESS OF 1.0mm
 2. FIR TREE PULL OUT FORCE: 55 lbs MIN IN A 8.0mm X 15.0mm HOLE AND A SHEET METAL THICKNESS OF 1.0mm
 3. PANEL THICKNESS RANGE: 0.70mm - 6.35mm
 4. CLIP TO CONNECTOR PUSH ON FORCE: 13.48 lbs MAX.
 5. CLIP TO CONNECTOR PULL OFF FORCE: 24.73 lbs MIN.



PATENT PENDING

ISOMETRIC VIEW

REVISION	D level	06	DIMENSIONS	Tolerance	.XXXX = ±0.25	PART	number	CC04	phase	PRODUCTION	DRAWING	FORMAT	AV	version	J	CAD	PRO-E	scale	3/1
	by	SJA		units	.XXX = ±0.5		name	ANGLE MOUNT CONNECTOR CLIP (8mm X 15mm RECTANGULAR HOLE)	computer file number	previous number									
	date	1/9/07		metric	.XX = ±1.0		material	NYLON 6/6 IMPACT MODIFIED, HEAT STABILIZED COLOR: BLACK	drawn	S. ADAMS		checked	G. GEIGER	approved	type	CUSTOMER	sheet	1 of 1	
	ECN #	010591		part level	D		unless otherwise specified	number	MT1028004CST	3/28/05		9/29/05	approved						