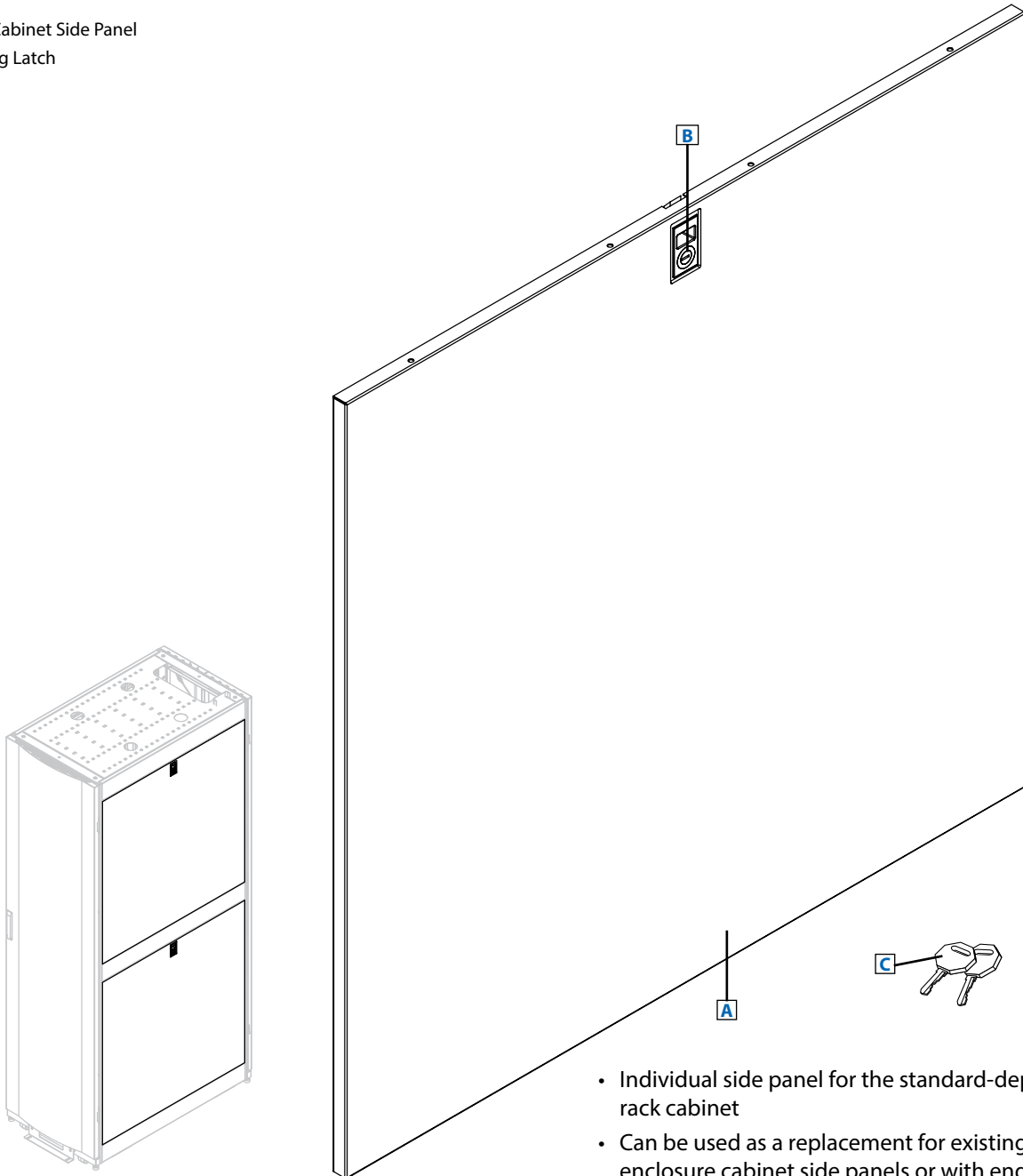


MODEL:

SR48SIDE

48U SmartRack® Side Panel with Key Locking Latch

- A** 48U Rack Cabinet Side Panel
- B** Key Locking Latch
- C** Keys



- Individual side panel for the standard-depth SR48UB rack cabinet
- Can be used as a replacement for existing 48U enclosure cabinet side panels or with end-row expansion cabinets (SR48UBEXP)

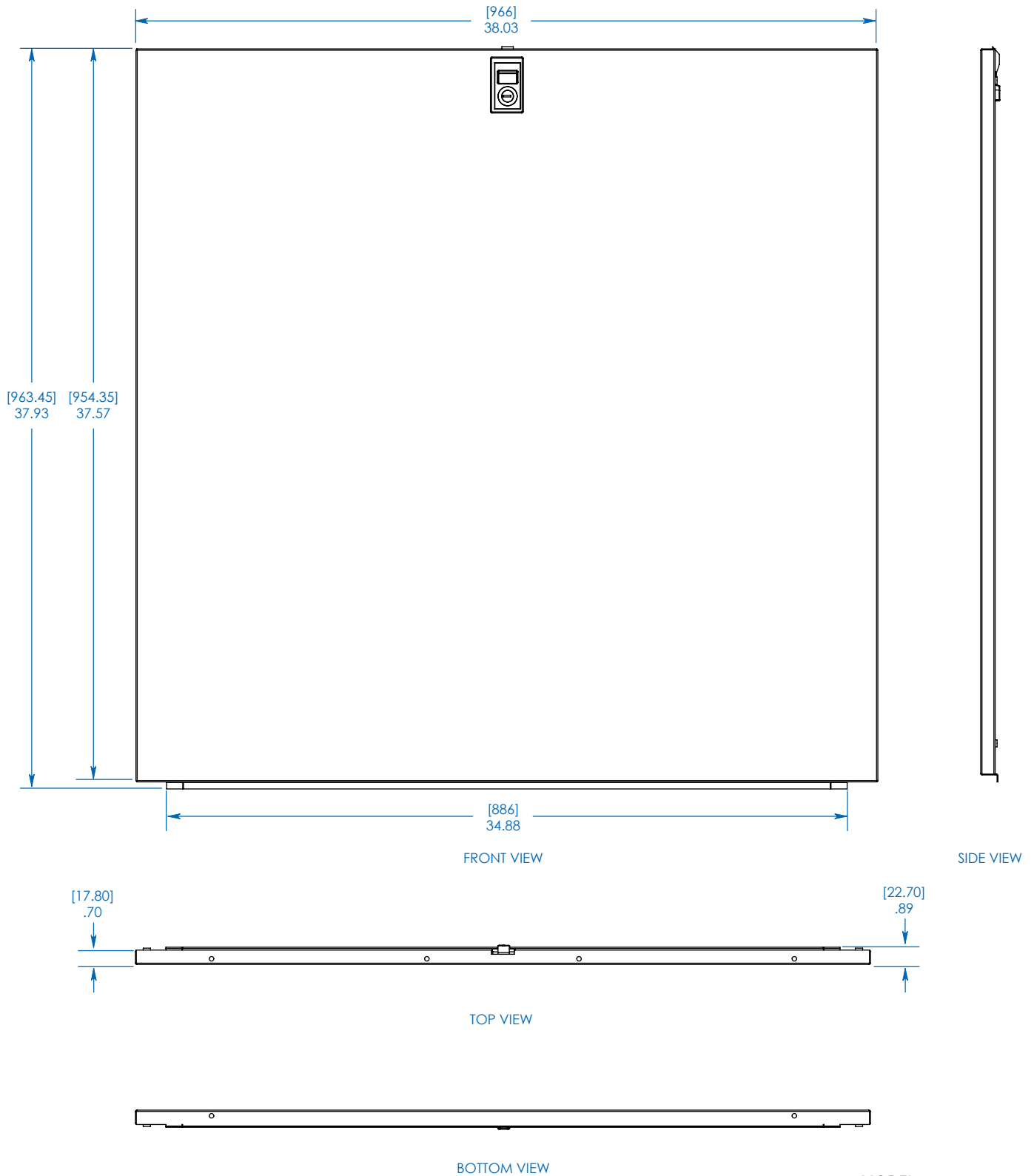
SEE NEXT PAGE FOR DETAILED UNIT MEASUREMENTS

Specifications

Model	SR48SIDE
Shipping Dimensions (H x W x D)	41.3 x 41.5 x 3.9 in. / 1049 x 1054 x 99 mm
Shipping Weight	28.7 lb. / 13 kg



1111 W. 35th Street
Chicago, IL 60609 USA
773.869.1234
www.tripplite.com



Dimensions: [mm] INCHES

Tripp Lite has a policy of continuous improvement. Specifications are subject to change without notice.

MODEL:
SR48SIDE
TRIPP·LITE

1111 W. 35th Street
 Chicago, IL 60609 USA
 773.869.1234
 www.triplite.com