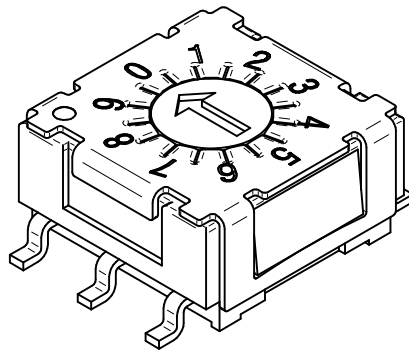
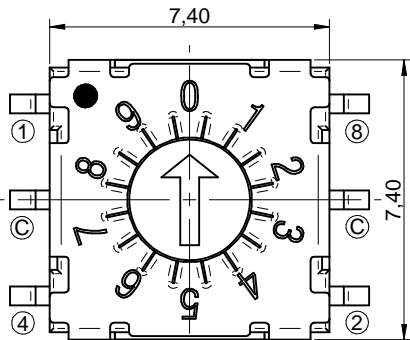


RECOMMENDED LAYOUT



**TECHNICAL CHARACTERISTICS**

**SPECIFICATION**

- >**Contact Rating:**  
Switching: 100mA, 42VDC  
Non-Switching: 400mA, 42VDC
- >**Contact Resistance:**  
Initial: 80mOHM max.  
After Life Test: 200mOHM max.
- >**Insulation Resistance:** min. 100MOHM at 250VDC
- >**Dielectric Strength:** 250VAC for 1 minute
- >**Operating Force:** 120g ± 30g
- >**Life cycle:** 25.000 steps
- >**Position:** 10
- >**Actuator:** Arrow type

**MATERIAL**

- >**Cover:** Stainless Steel
- >**Base:** LCP UL 94V-0, color black
- >**Actuator:** LCP UL 94V-0
- >**Contact:** Gold Plated
- >**Terminal:** Gold Plated

**SOLDERING INFORMATION**

- >**Terminal in SMD version**
- >**Reflow soldering according to JEDEC J-STD 020 Hot Air**

**WASHABLE DEFINITION**

Please do not submerge washable products into water or cleaning agents or put them in locations exposed to water or liquids completely. When cleaning by hand (brushing), please do not use excessive force on our switch to avoid malfunction afterwards, because you could deform function relevant areas or you could damage sealing functions. Do not clean washable series immediately after soldering. The cleaning agent may be absorbed into the switch through respiration while the switch cools.

**ENVIRONMENTAL**

- >**Storage condition:** -60°C ~ +125°C
- >**Operation condition:** -60°C ~ +125°C
- >**Compliance:** Lead Free, ROHS

**PACKAGING INFORMATION**

>**Tape & Reel**

Part number	Color of Actuator	Position	Code
428 542 320 810	red	10	Real Code
428 542 320 811	orange	10	Complement Code

		Real Code				
		C	1	2	4	8
10 Position	0	•	•	•	•	0
	1	•	•	•	•	1
	2	•	•	•	•	2
	3	•	•	•	•	3
	4	•	•	•	•	4
	5	•	•	•	•	5
	6	•	•	•	•	6
	7	•	•	•	•	7
	8	•	•	•	•	8
	9	•	•	•	•	9

		Complement Code				
		C	1	2	4	8
10 Position	0	•	•	•	•	0
	1	•	•	•	•	1
	2	•	•	•	•	2
	3	•	•	•	•	3
	4	•	•	•	•	4
	5	•	•	•	•	5
	6	•	•	•	•	6
	7	•	•	•	•	7
	8	•	•	•	•	8
	9	•	•	•	•	9

Scale - 5:1

This electronic component is designed and developed with the intention for use in general electronics equipments.

Before incorporating the components into any equipments in the field such as aerospace, aviation, nuclear control, submarine, transportation, (automotive control, train control, ship control), transportation signal, disaster prevention, medical, public information network etc. where higher safety and reliability are especially required or if there is possibility of direct damage or injury to human body, Würth Elektronik must be asked for a written approval.

In addition, even electronic component in general electronic equipments, when used in electrical circuits that require high safety, reliability functions or performance, the sufficient reliability evaluation-check for the safety must be performed before by the user before usage.

		GENERAL TOLERANCE		Basic material					
		.x = +/- 0,2 .xx = +/- 0,15							
		Date	Name	DESCRIPTION					
		Drawn	11-03-28	Jelisarow	WS-ROSV_7,0 x 7,0 mm Rotary Switch, 10 position, SMD version				
		Checked	11-03-28	Hsu					
c	revised MatchCode	14-07-25	AL		Scale	5:1	Position		SIZE
b	Washable Definition	14-03-06	DaF		Würth Elektronik eiCan	Drawing.- No.	42854232081x		A4
a	warning text	11-09-30	WJ		EDV NO 42854232081x.dft		System :Solid Edge V20		
REV	FILE	DATE	BY						