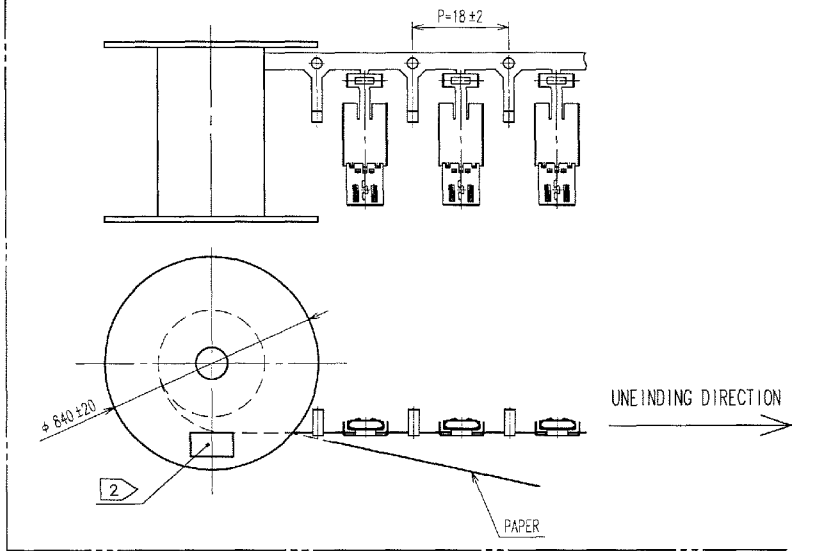
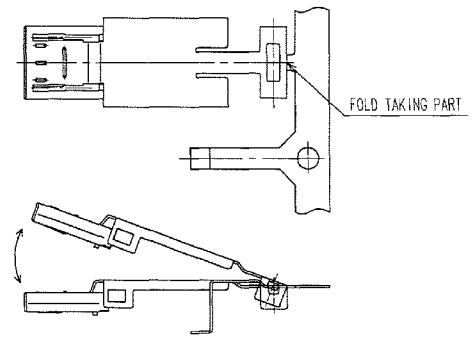


COUNT	DESCRIPTION OF REVISIONS	BY	CHKD	DATE	COUNT	DESCRIPTION OF REVISIONS	BY	CHKD	DATE
△					△				
△					△				

1 Fig - 1 REELING(FREE)



3 Fig - 2 CUT OFF A CAREER(FREE)



NOTES
 1 THIS IS DELIVERED BY A REEL ,QTY:4000PCS
 2 SHOWN ON A REEL AND A BOX IS ; * PART No. , * CODE No. , * LOT No. , * QTY'
 3 CUT OFF CAREER AS SHOWN IN Fig-2.

NO.	MATERIAL	FINISH, REMARKS	NO.	MATERIAL	FINISH, REMARKS
			1	STAINLESS STEEL	
CODE NO.(OLD)			DRAWN	DESIGNED	CHECKED
			<i>M. Shinoyama</i>	<i>M. Shinoyama</i>	<i>R. Hayama</i>
			07.1.30	07.1.30	07.01.31
			APPROVED	RELEASED	
			<i>[Signature]</i>		
			07.01.31		
DRAWING NO. EDC3-126087			PART NO. ZX64-B-SLDA		
SCALE 4 : 1			CODE NO. CL242-0013-0		
UNITS mm			1/1		
HRS HIROSE ELECTRIC CO., LTD					

TO