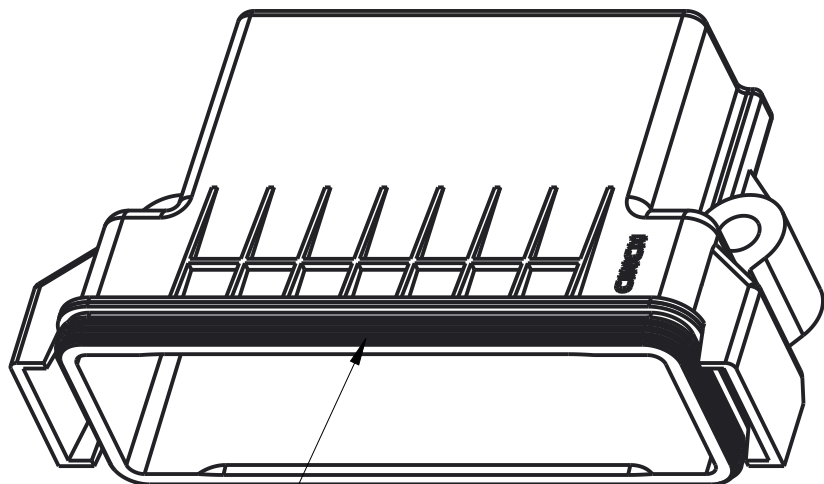


CINCH PART NUMBER MATRIX

P/N: 581 01 30 090

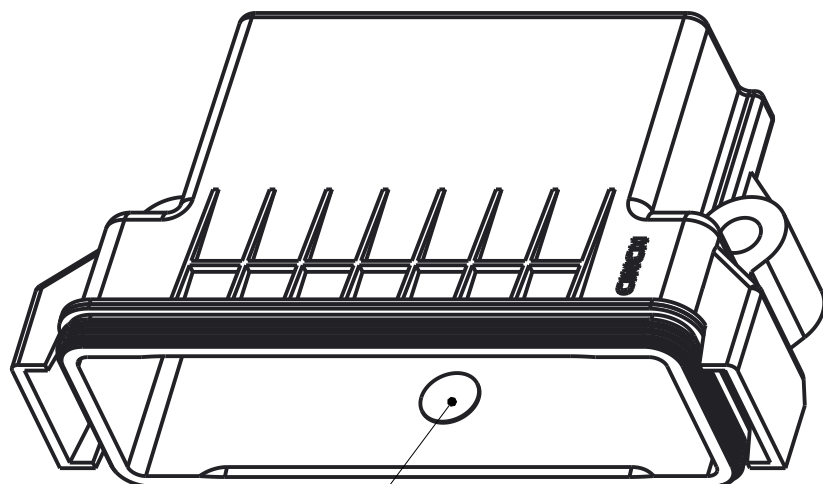
STANDARD ENCLOSURE



PERIPHERAL SEAL

P/N: 581 01 30 095

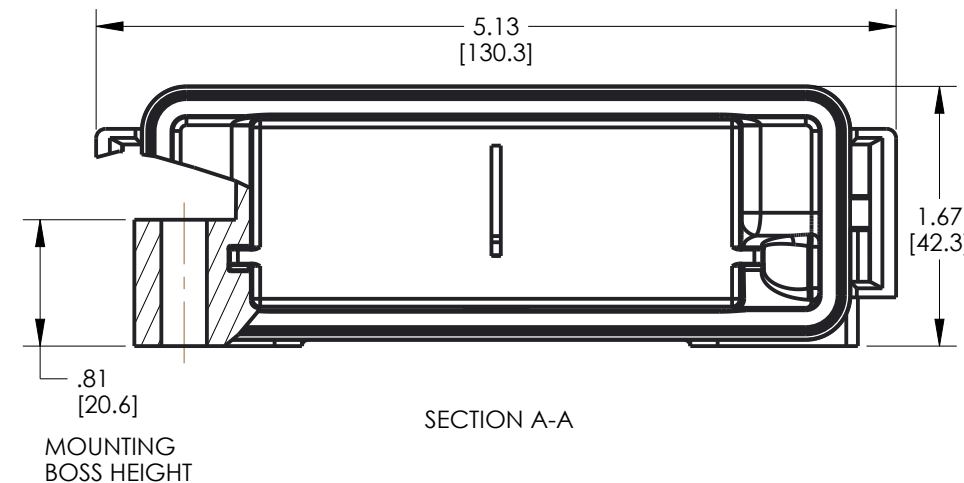
ENCLOSURE WITH BREATHER VENT



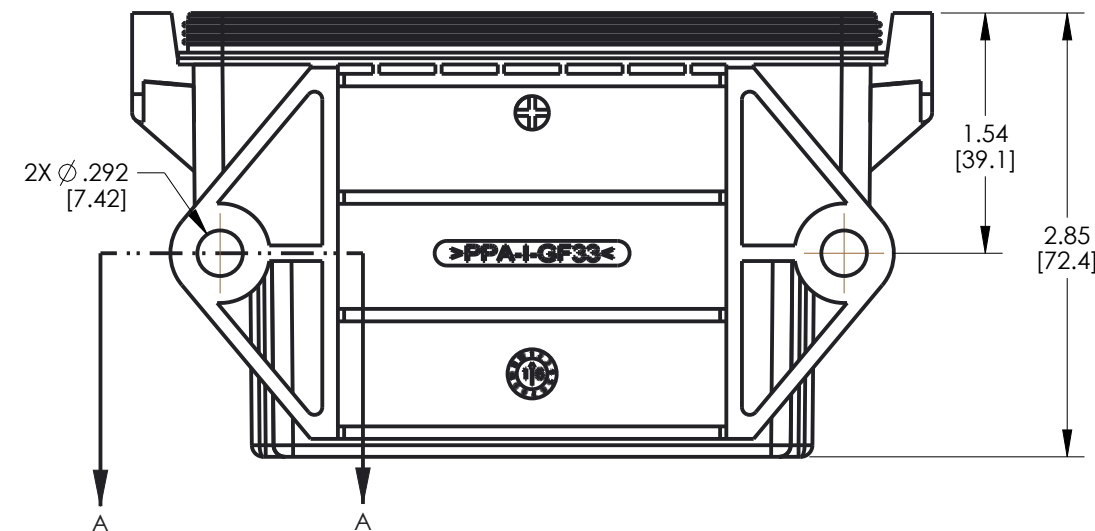
BREATHER VENT

DRAWING REVISIONS (RELEASE DATE ON FILE)

REV	DOCUMENT	APP	APPROVAL DATE
A	INITIAL	JT	12/13/2016



SECTION A-A



NOTES:

- ALL DIMENSIONS ARE IN INCHES; DIMENSIONS IN [.XX] ARE IN mm AS REFERENCE ONLY
- MATERIALS: (ROHS COMPLIANT)
ENCLOSURE: 33% GLASS FILLED POLYMER, COLOR BLACK;
PERIPHERAL SEAL: SILICONE RUBBER, COLOR BLUE
- HEADERS ARE SOLD SEPARATELY (CONSULT FACTORY FOR P/N);
FOR PCB SIZE AND REQUIREMENTS REFER TO HEADER DRAWINGS.
- FASTENERS SHOULD BE TIGHTENED BY HAND AT EACH LOCATION,
APPLYING EQUAL PRESSURE AGAINST MOUNTING SURFACE, THEN TORQUE
TO 10-12 IN. LB. [1.13-1.36 Nm]

UNITS ENGLISH INCHES				CINCH <small>1700 FINLEY RD LOMBARD, IL 60148</small>		
DO NOT SCALE DRAWING		DESIGN ENGINEER A.PONCE	DATE 12/2/2016	TITLE MODICE MINI ME (MME) ENCLOSURE ASSEMBLY		
UNLESS OTHERWISE SPECIFIED: ALL DIMENSIONS ARE IN INCHES		APPROVALS ON FILE		MATERIAL SEE NOTE 2	CONTROL SPEC NUMBER	
FILLET/RADIUS .02 MAX.	TOLERANCES .X ± .1 .XX ± .01 .XXX ± .005 ANGULAR ± .5°			MATERIAL SPEC NUMBER	FINISH	PROJECT NUMBER A15135
CONFIDENTIAL THIS DOCUMENT IS THE PROPERTY OF CINCH. NEITHER THIS DOCUMENT NOR ANY OF THE INFORMATION CONTAINED IN IT MAY BE DUPLICATED OR DISCLOSED WITHOUT PRIOR WRITTEN CONSENT OF CINCH. ©COPYRIGHT 2012 CINCH				CAD FILE NUMBER 5810130090S	DRAWING NUMBER 581 01 30 090S	
CAGE IDENT NO. 71785	SIZE B	SCALE 1:1	SHEET 1 OF 1			