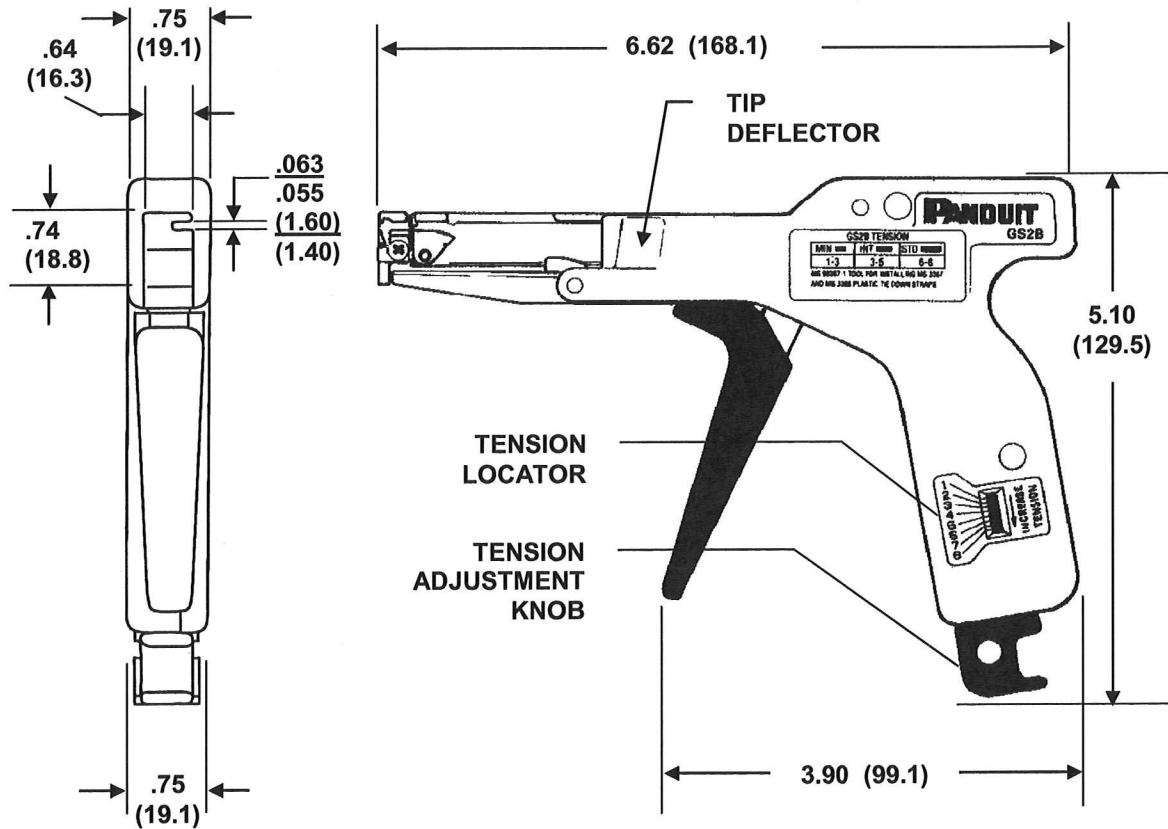


THIS COPY IS PROVIDED ON A RESTRICTED BASIS AND IS NOT TO BE USED IN ANY WAY DETRIMENTAL TO THE INTERESTS OF PANDUIT CORP.



**SPECIFICATIONS:**

PANDUIT TOOL NO.: GS2B

TOOL WEIGHT: 11.5 oz. (327 gr.)

INSTALLS MINIATURE, INTERMEDIATE AND STANDARD CROSS SECTION CABLE TIES.

CABLE TIE CROSS-SECTION CODE:

- M = MINIATURE
- I = INTERMEDIATE
- S = STANDARD

THIS MILITARY STANDARD MS-90387-1 TOOL CAN BE USED TO INSTALL THE FOLLOWING MS STRAPS:

- MS-3367-1, -2, -4, -5, -7; AND
- MS-3368-1, -2, -3, -4, -5

THIS TOOL TIGHTENS CABLE TIES AND CUTS OFF EXCESS PORTION WHEN PRESET TENSION IS ATTAINED.

DIMENSIONS SHOWN IN PARENTHESIS ARE METRIC

F:\RVUSERS\ENGDWGS\CUSTDWGS\GSB-00275A-CD\_13.doc

**GS2B  
CABLE TIE INSTALLATION TOOL**

CUSTOMER DRAWING

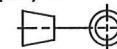
ITEM REVISION NAME:

GSB-00275A-CD\_13



UNLESS OTHERWISE SPECIFIED, DIMENSIONAL TOLERANCES ARE:

(.x) ± -- (.xxx) ± --  
(.xx) ± -- ANGLES ± --



THIRD ANGLE PROJECTION

MATERIAL:

DRAWING NUMBER:  
GSB-00275A-CD

| REV | DATE    | BY  | CHK                | APR                | DESCRIPTION             | ECN  |
|-----|---------|-----|--------------------|--------------------|-------------------------|------|
| 13  | 2-21-13 | BLR | <i>[Signature]</i> | <i>[Signature]</i> | UPD TEMPLATE & BRANDING | 4608 |

|                  |                  |            |               |            |           |
|------------------|------------------|------------|---------------|------------|-----------|
| DRAWN BY:<br>BLR | DATE:<br>2-26-04 | CHK<br>ABJ | SCALE<br>NONE | SHT 1 OF 1 | SIZE<br>A |
|------------------|------------------|------------|---------------|------------|-----------|