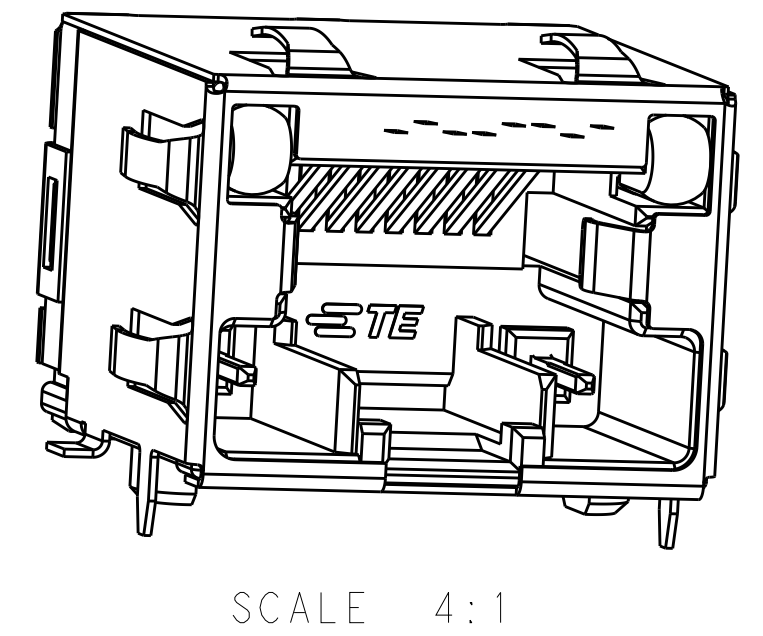
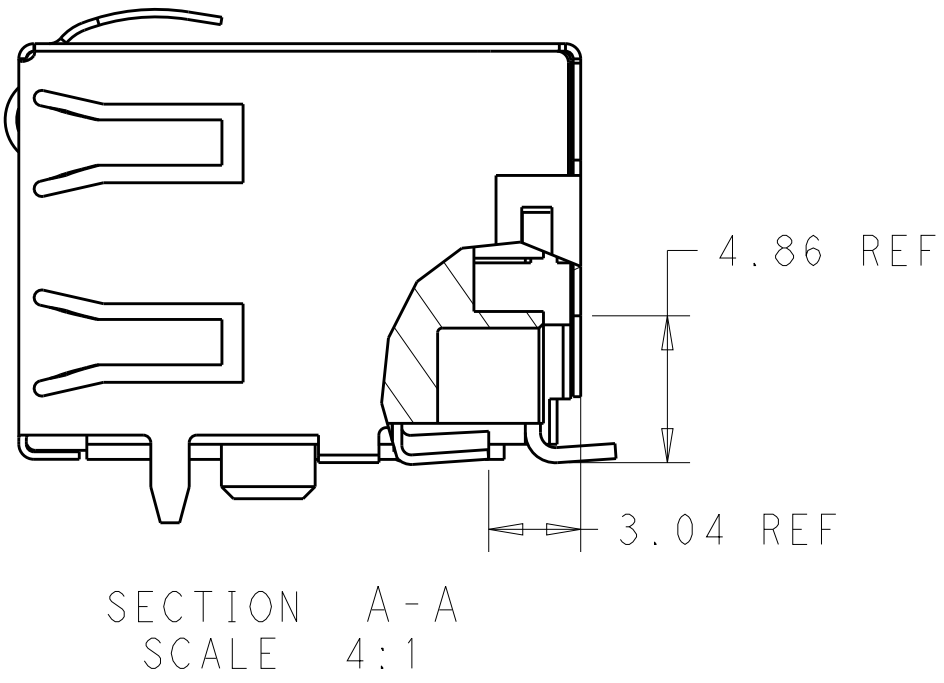
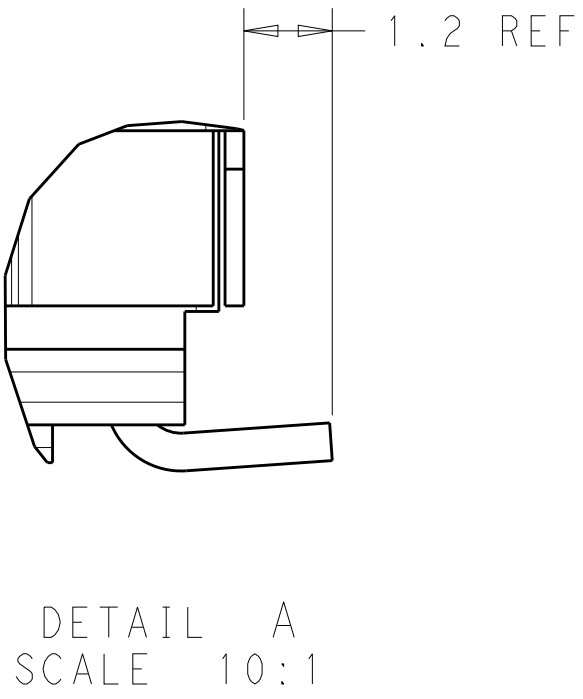
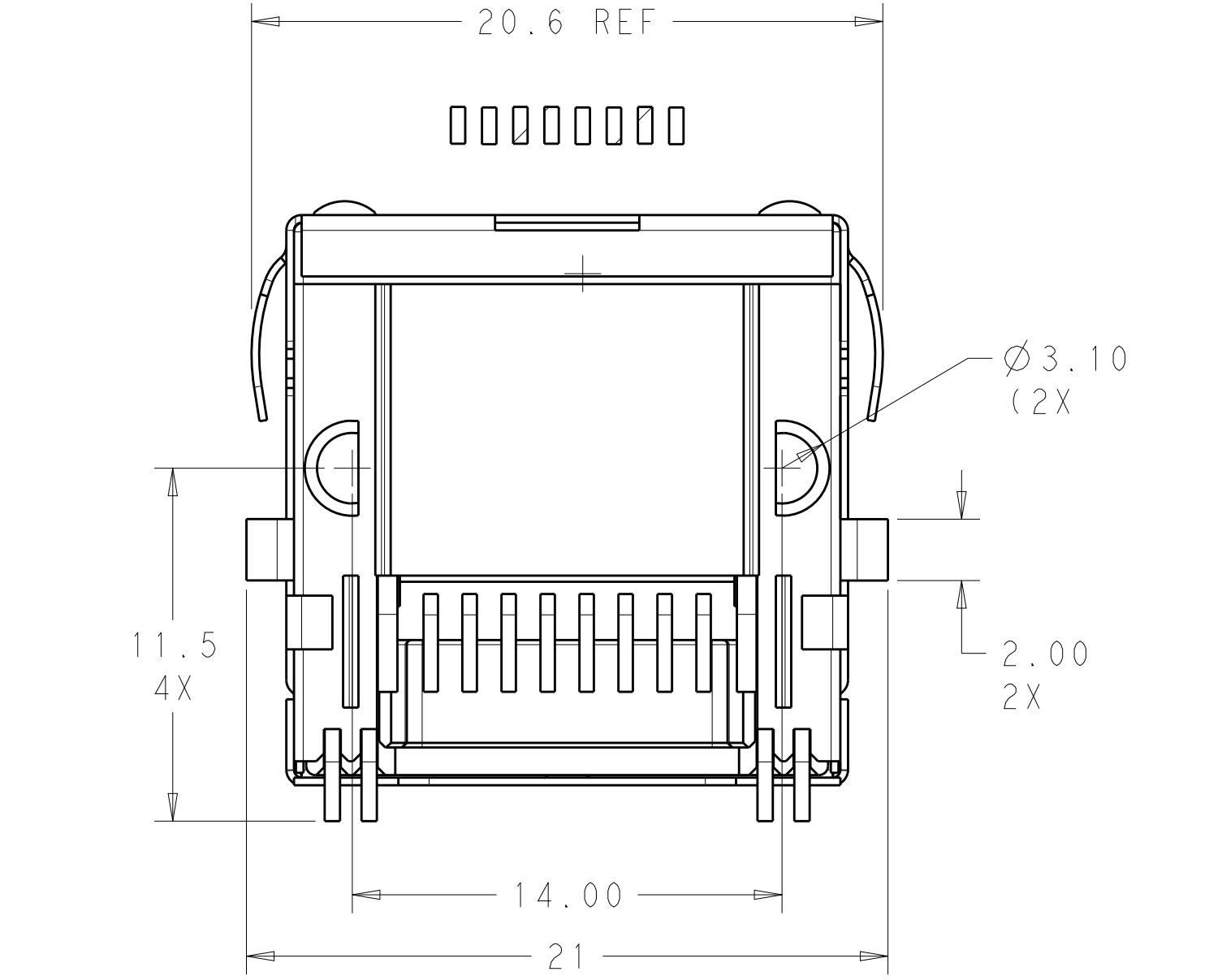
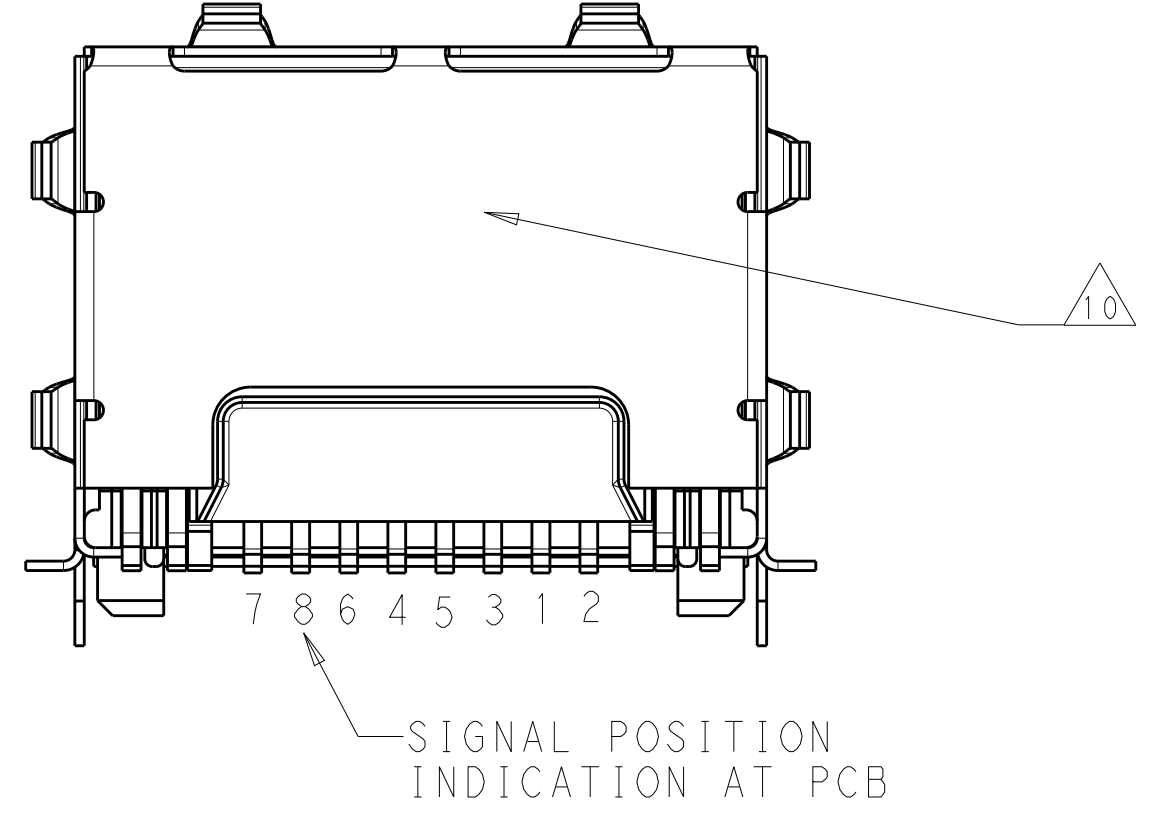
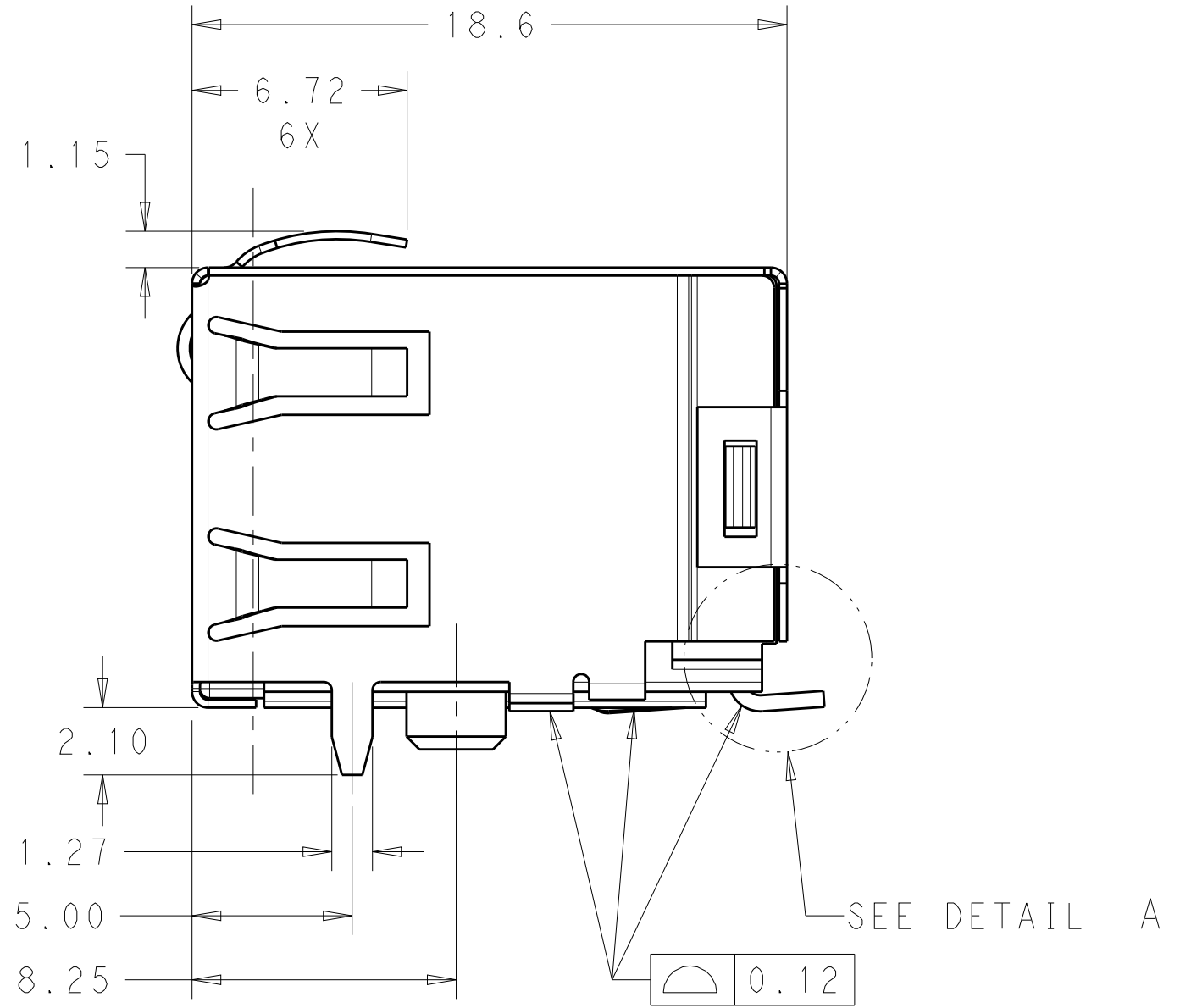
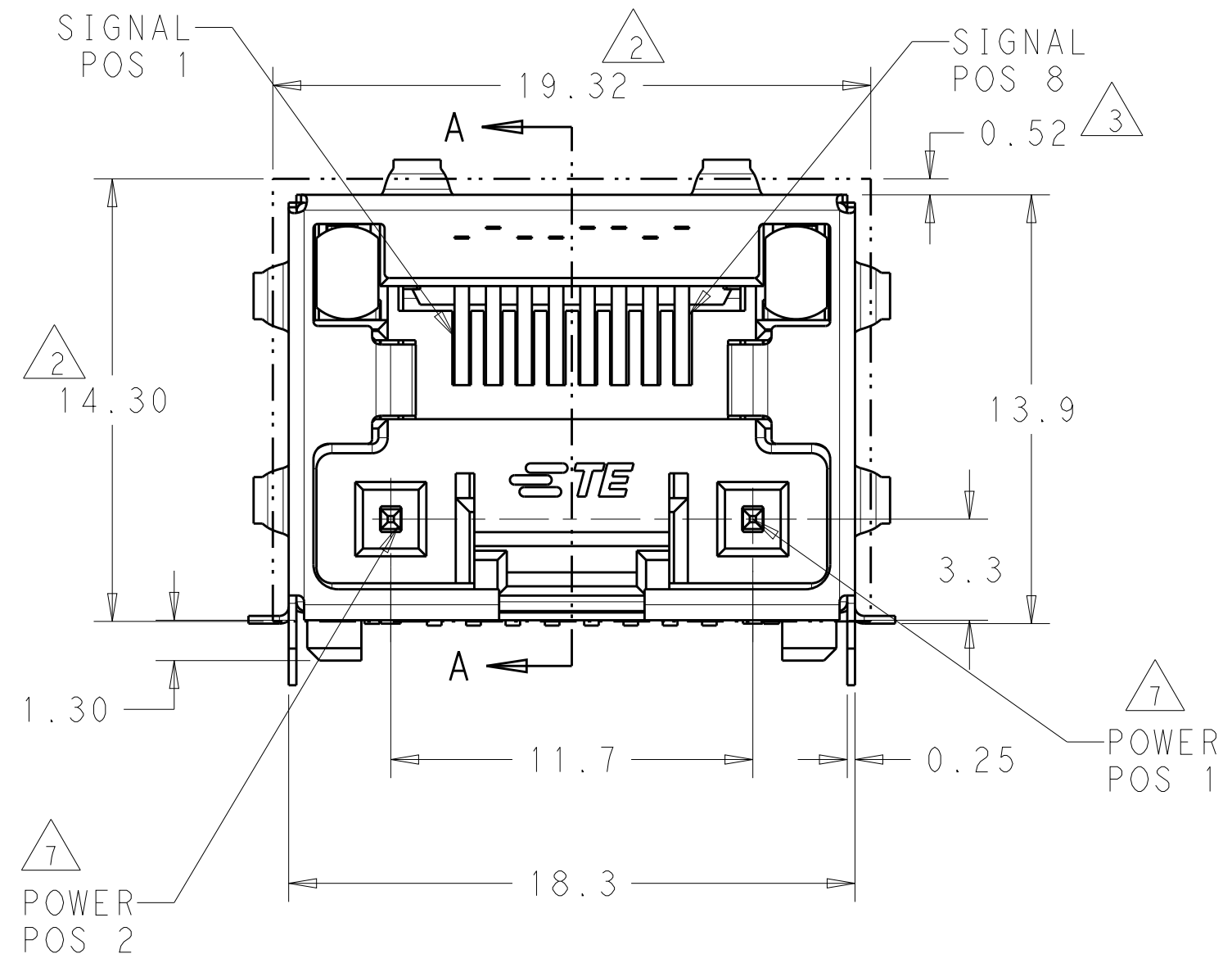


THIS DRAWING IS UNPUBLISHED. RELEASED FOR PUBLICATION 2012  
 © COPYRIGHT 2012 Tyco Electronics AMP GmbH ALL RIGHTS RESERVED.

LOC	DIST	REVISIONS			
P	LTR	DESCRIPTION	DATE	DWN	APVD
AI	-				
	11	GENERAL UPDATE	01NOV2013	MM	MM
	12	DRAWING UPDATED	19JUN2015	RS	DD



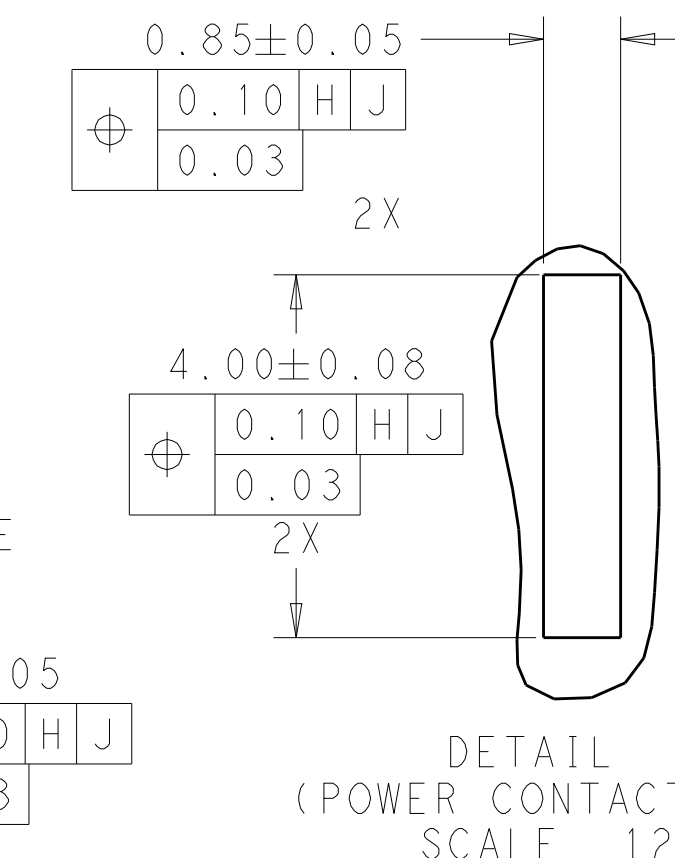
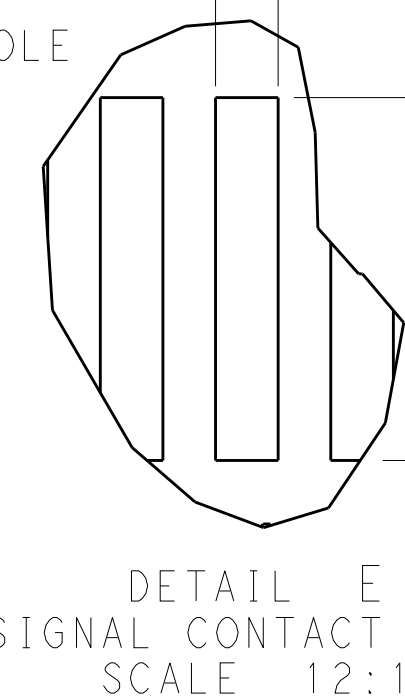
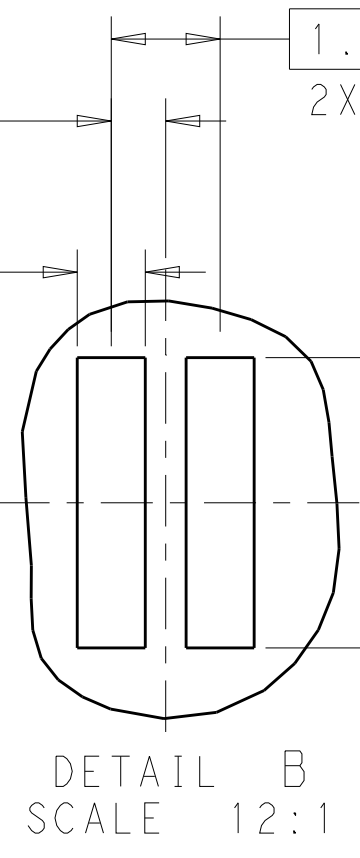
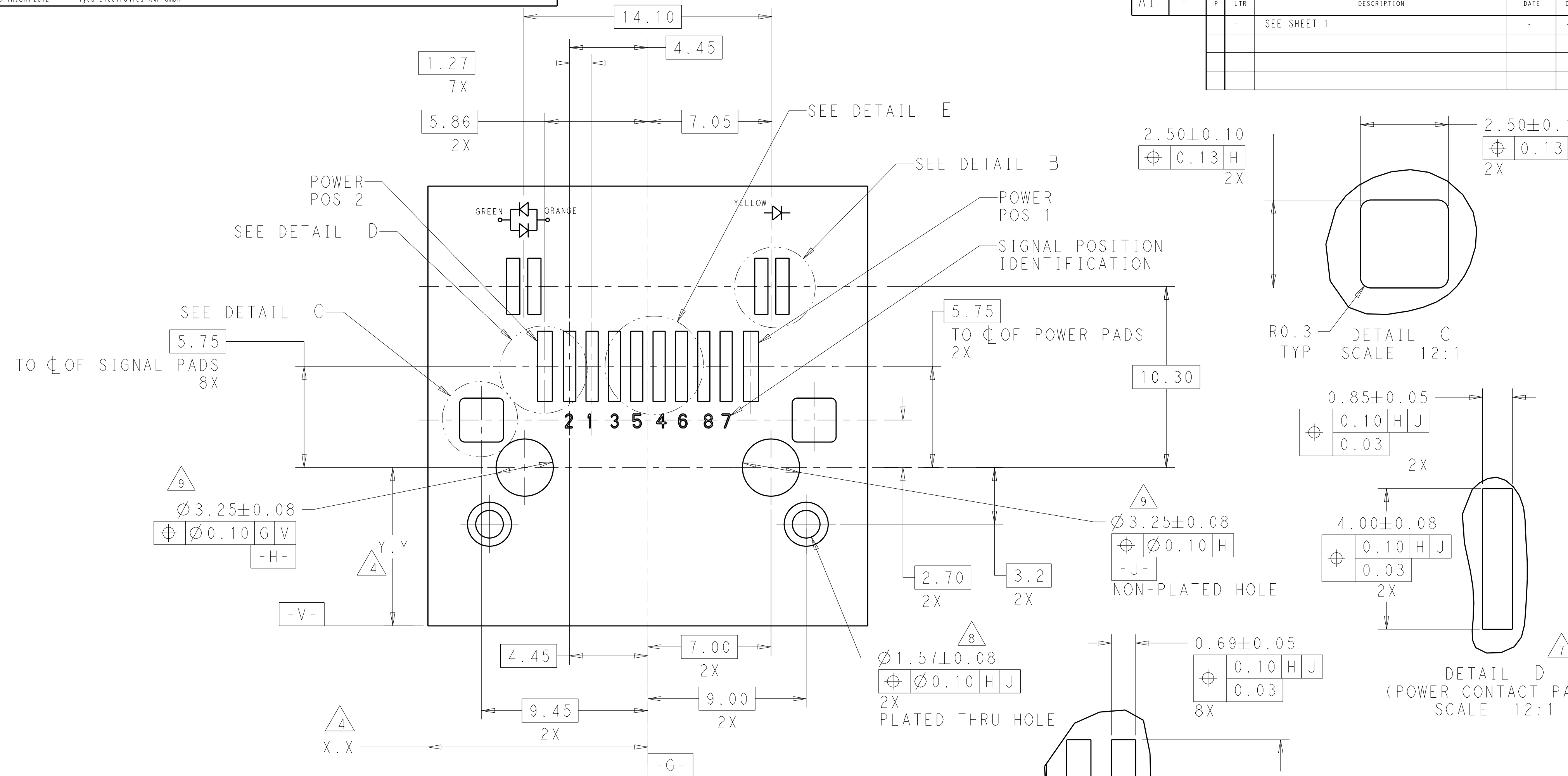
COPLANARITY AT HEALS OF LED, POWER, DATA AND SHIELD CONTACT (16X)

DESCRIPTION	PART NUMBER
JACK ASSEMBLY W/O POWER CONTACTS	2178126-2
JACK ASSEMBLY W/POWER CONTACTS	2178126-1

THIS DRAWING IS A CONTROLLED DOCUMENT.		DWN: Vivian 04APR2012	TE Connectivity	
DIMENSIONS: mm		CHK: Premjith 04APR2012	NAME: JACK ASSEMBLY CLOUDSPLITTER SMT	
TOLERANCES UNLESS OTHERWISE SPECIFIED:		APVD: -	PRODUCT SPEC: 108-64022	
0 PLC ±0.3		APPLICATION SPEC: 114-32051		
1 PLC ±0.25		WEIGHT: -		
2 PLC ±0.13		SIZE: A200779		
3 PLC ±		CAGE CODE: C-2178126		
4 PLC ±		DRAWING NO: -		
ANGLES ±1°		RESTRICTED TO: -		
FINISH		SCALE: 8:1		
MATERIAL: -		SHEET 1 OF 3		
Customer Drawing		REV 12		

THIS DRAWING IS UNPUBLISHED. RELEASED FOR PUBLICATION 2012  
 © COPYRIGHT 2012 Tyco Electronics AMP GmbH ALL RIGHTS RESERVED.

LOC	DIST	REVISIONS			
P	LTR	DESCRIPTION	DATE	DWN	APVD
AI	-	SEE SHEET 1	-	-	-

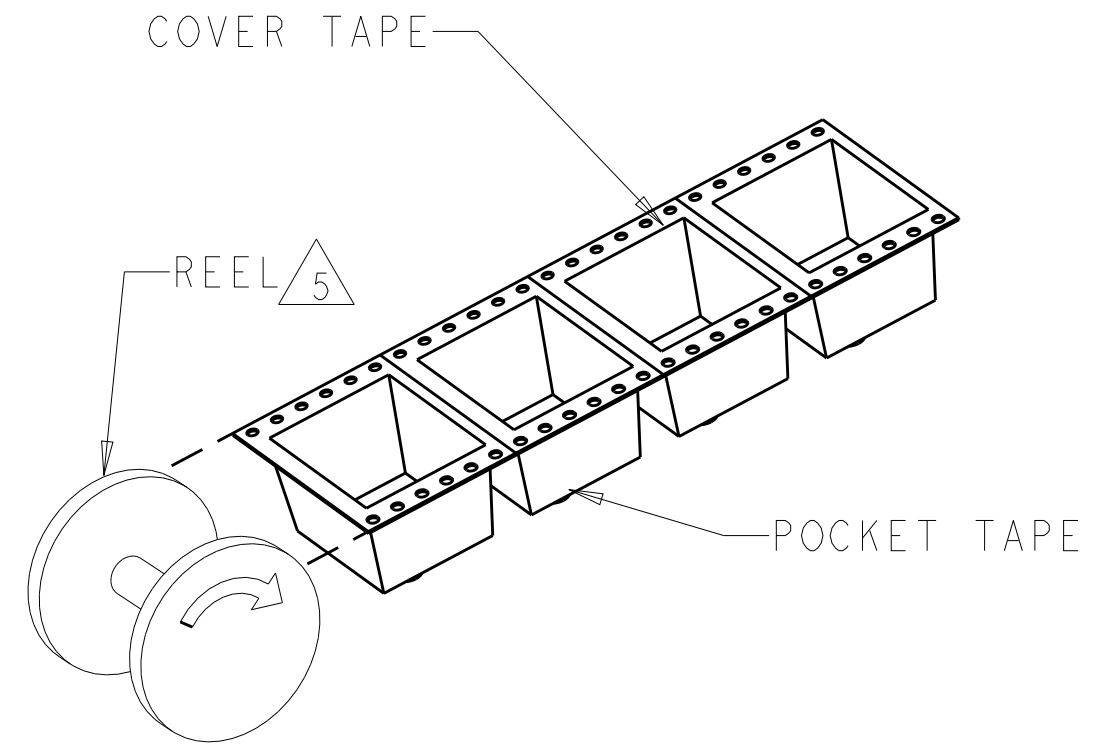


THIS DRAWING IS A CONTROLLED DOCUMENT.		DWN: Vivin 04APR2012	<b>STE</b> TE Connectivity	
		CHK: Premjith 04APR2012		
DIMENSIONS: mm		APVD: Premjith	NAME: JACK ASSEMBLY CLOUDSPLITTER SMT	
TOLERANCES UNLESS OTHERWISE SPECIFIED:		PRODUCT SPEC: 108-64022	RESTRICTED TO: -	
0 PLC ±0.3		APPLICATION SPEC: 114-32051	SIZE: A200779 C-2178126	
1 PLC ±0.25		WEIGHT: -	SCALE: 8:1 SHEET 2 OF 3 REV 12	
2 PLC ±0.13		Customer Drawing		
3 PLC ±				
4 PLC ±				
ANGLES ±1°				
FINISH				

LOC	DIST	REVISIONS					
		P	LTR	DESCRIPTION	DATE	DWN	APVD
AI	-	-	-	SEE SHEET 1	-	-	-

- NOTES:
- MATERIAL AND FINISH:
    - HOUSING: GF HIGH TEMP THERMOPLASTIC, COLOR: BLACK
    - CONTACTS: COPPER ALLOY
      - FINISH: 3.8µm MIN MATTE TIN IN SOLDER AREA
      - 1.27µm MIN GOLD IN INTERFACE AREA (SIGNAL CONTACTS)
      - 0.76µm MIN GOLD IN INTERFACE AREA (POWER CONTACTS)
      - OVER 1.27µm NICKEL UNDERPLATE
    - SHIELD: COPPER-ZINC ALLOY
      - FINISH: 2.03µm MATTE TIN OVER 1.27µm MIN NICKEL
    - LED: DIFFUSED EPOXY LENS
    - CARBON STEEL WIRE LEADS
      - FINISH: 8.89µm TIN/COPPER OVER 2.03µm SILVER OVER 1.02µm COPPER OVER 3.56µm NICKEL

- SUGGESTED PANEL OPENING DIMENSIONS.
- SUGGESTED CLEARANCE BETWEEN TOP OF CONNECTOR AND TOP PANEL OPENING.
- DATUM ESTABLISHED BY CUSTOMER.
- PACKAGED: POCKET TAPE & REEL (PER EIA 481 SPEC)
  - POCKET TAPE WIDTH - 44mm
  - POCKET PITCH - 32mm
  - POCKET DEPTH - 18mm
  - CLEAR COVER TAPE, PSA
  - CLEAR COVER TAPE TRAILER - 610mm, WRAPPED ON REEL HUB
  - PLASTIC REEL - 381mm DIAMETER
  - PRODUCT QUANTITY - 150 PIECES PER REEL
- MUST COMPLY WITH DIRECTIVE 2002/95/EC (RoHS)
- POWER CONTACT PADS NOT REQUIRED FOR 2178126-2 PART NUMBER  
POWER CONTACTS NOT POPULATED
- PLATED THRU HOLE, FINISHED DIAMETER SHOWN
- NON-PLATED HOLE, DRILL DIAMETER SHOWN  
IF PLATED FINISHED DIAMETER TO BE AS SHOWN
- MANUFACTURING DATE CODE: FIRST 2 DIGITS REPRESENT YEAR, SECOND 2 DIGITS REPRESENT WORK WEEK, LAST DIGIT IS DAY OF THE WEEK



THIS DRAWING IS A CONTROLLED DOCUMENT.		DWN Vivin 04APR2012	<b>STE</b> TE Connectivity	
		CHK Premjith 04APR2012		
DIMENSIONS: mm		APVD -	NAME JACK ASSEMBLY CLOUDSPLITTER SMT	
TOLERANCES UNLESS OTHERWISE SPECIFIED: 0 PLC ±0.3 1 PLC ±0.25 2 PLC ±0.13 3 PLC ± 4 PLC ± ANGLES ±1° FINISH		PRODUCT SPEC 108-64022	SIZE A200779	
MATERIAL		APPLICATION SPEC 114-32051	DRAWING NO C-2178126	
		WEIGHT -	RESTRICTED TO -	
		Customer Drawing	SCALE 8:1 SHEET 3 OF 3 REV 12	