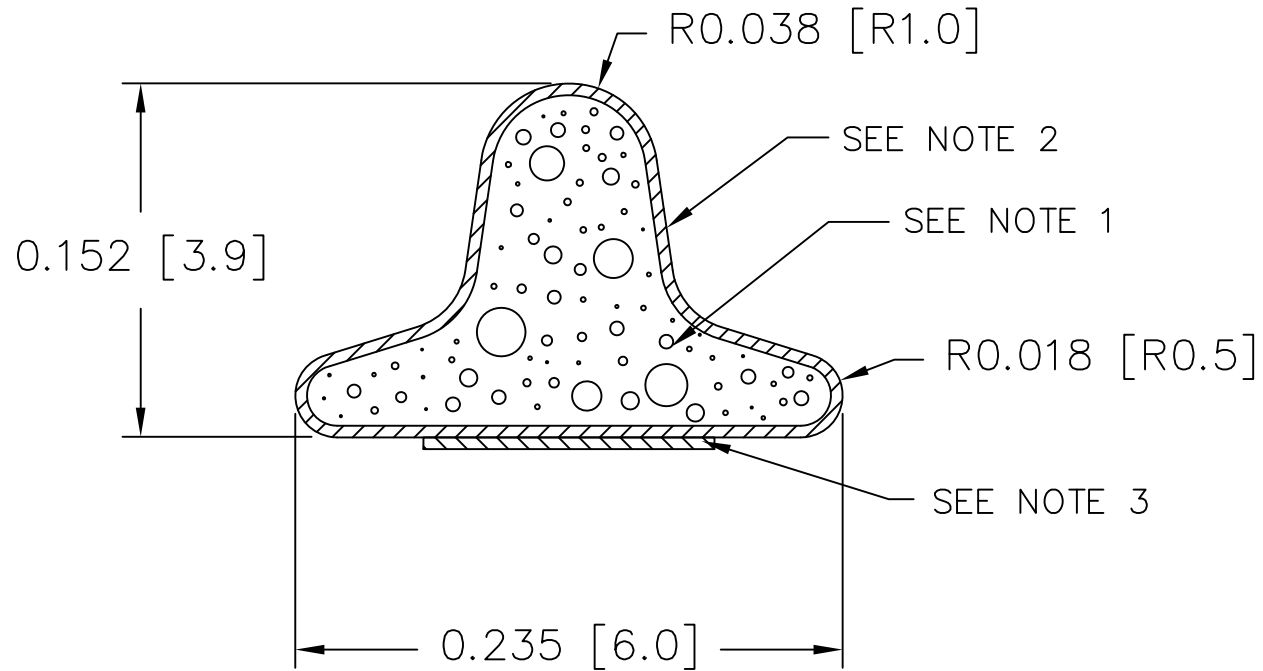


CONFIDENTIAL & PROPRIETARY

THIS INFORMATION IS CONFIDENTIAL AND PROPRIETARY TO LAIRD TECHNOLOGIES. IT MAY NOT BE DISCLOSED TO ANYONE, OTHER THAN LAIRD TECHNOLOGIES PERSONNEL, WITHOUT WRITTEN AUTHORIZATION FROM LAIRD TECHNOLOGIES.



NOTES:

1. FOAM: POLYURETHANE
2. FABRIC: NICKEL PET-TAF FR Ecogreen
3. TAPE: .125" TAPE HI-TEMP
4. LINER: NO EXTENDED RELEASE LINER
5. FABRIC SEAM LOCATION MAY VARY.
6. CARRIER: NO CARRIER
7. THIS PART IS RoHS COMPLIANT

REVISIONS:	1. TAPE WAS .100" - P08-006 - 1/21/08 FJG
TITLE:	SHIELDING GASKET
Dwg. or Part No.	4A58-PA-51H
REV.	1

DRAWN	DATE	SCALE:
GIBILTERRA	10/01/07	1/1
CHECKED BY:	DATE	
FJG	10/01/07	
RELEASED BY:	DATE	
FJG	10/01/07	

DIMENSIONS ARE IN INCHES. UNLESS OTHERWISE SPECIFIED, TOLERANCES ARE AS FOLLOWS:	
DECIMALS	LENGTH
.XX ± .03	0" - 6" ± .030"
.XXX ± .020	6" - 11" ± .050"
	11" - 48" ± .100"
ANGLES	48° - 70° ± .187°
	± 1/2° 70° - 144° ± .250°

DRAWN	DATE	SCALE:
GIBILTERRA	10/01/07	1/1
CHECKED BY:	DATE	
FJG	10/01/07	
RELEASED BY:	DATE	
FJG	10/01/07	

