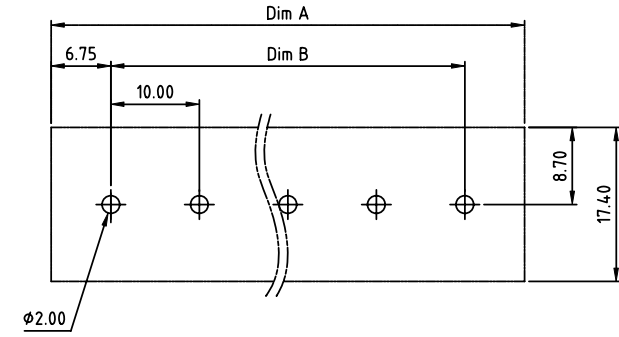
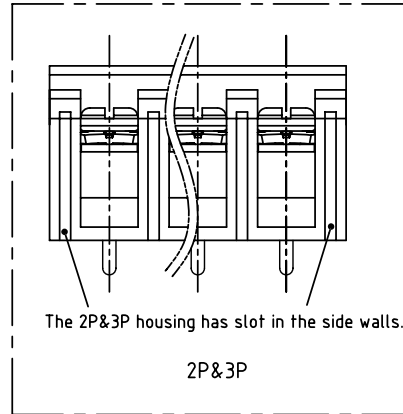
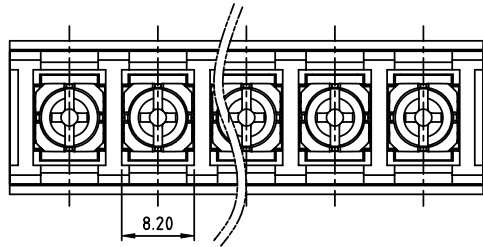
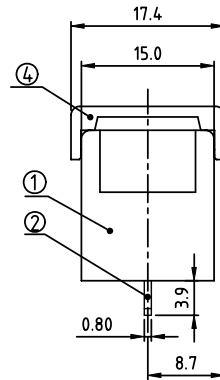
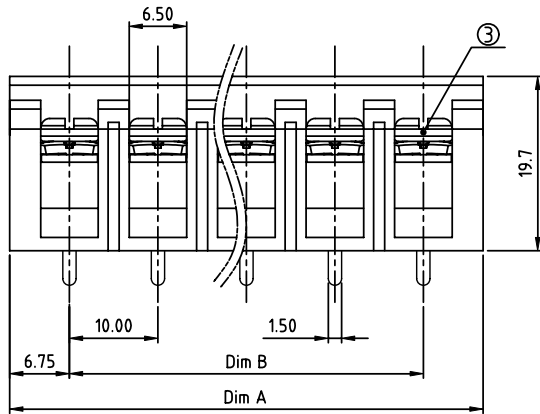


PRODUCT NUMBER	PITCH
YK601xx2x0J0G	10.00mm



RECOMMENDED P.C.B LAYOUT
TOP VIEW



MATERIALS ELECTRICAL
 RATED VOLTAGE & CURRENT: 300 V, 20 A
 WITHSTAND VOLTAGE: AC 2000 V/Min
 INSULATION RESISTANCE: 1000 MΩ OR MORE AT DC 500 V
 OPERATING TEMPERATURE RANG: -40 °C ~ +115 °C
 SCREW TORQUE VALUE: 12Lb-In.
 WIRE RANGE: 22 - 12 AWG
 1) HOUSING: THERMOPLASTIC, UL 94 V-0 BLACK
 2) TERMINAL: BRASS, 0.8t
 3) SCREWS: STEEL, M3.5
 4) COVER MATERIAL: PC
 APPROVAL: US

DIMENSION

Dim A	N×10.0+3.5
Dim B	(N-1)×10.0

N=Number of poles

Poles	Tolerance
2p-4p	±0.20
5p-10p	±0.30
11p-24p	±0.40
25p-30p	±0.50

PART NO.: YK 601xx 2 x 0 J0G

No. of poles	Plated	RoHS compliant (lead<4%) In copper Alloy
02 2 poles	Code Terminal Screw	
03 3 poles	0 G/F G/F	
...	1 G/F Zinc	
...	2 Tin G/F	
30 30 poles	3 Tin Zinc	

mat'l. code	surface ASME Y14.5	tolerance ASME Y14.5	projection	product family
ltr	ecn no	dr	date	TERMINAL BLOCK
				title
				TERMINAL BLOCK
				BARRIER TYPE, WITH COVER
				scale
				dwg no
				sheet 1 of 1
				size
				YK601xx2x0J0G
				A4
				type
				CUSTOMER Drawing
sheet index	revision	A		
	sheet	1		