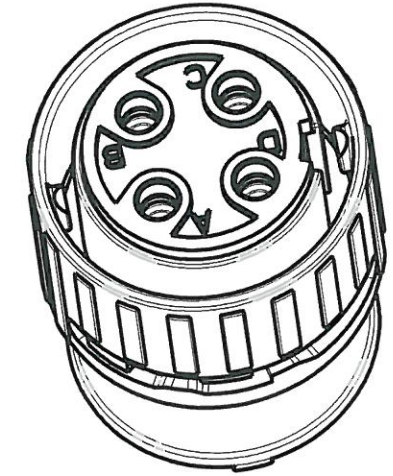
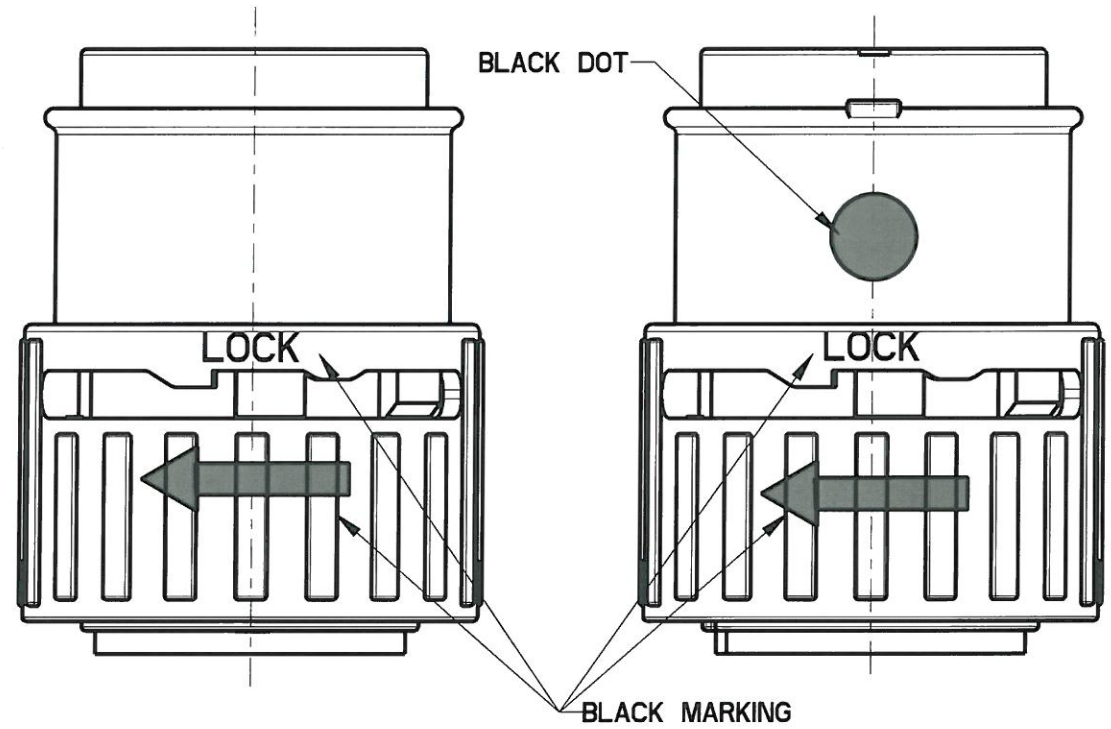
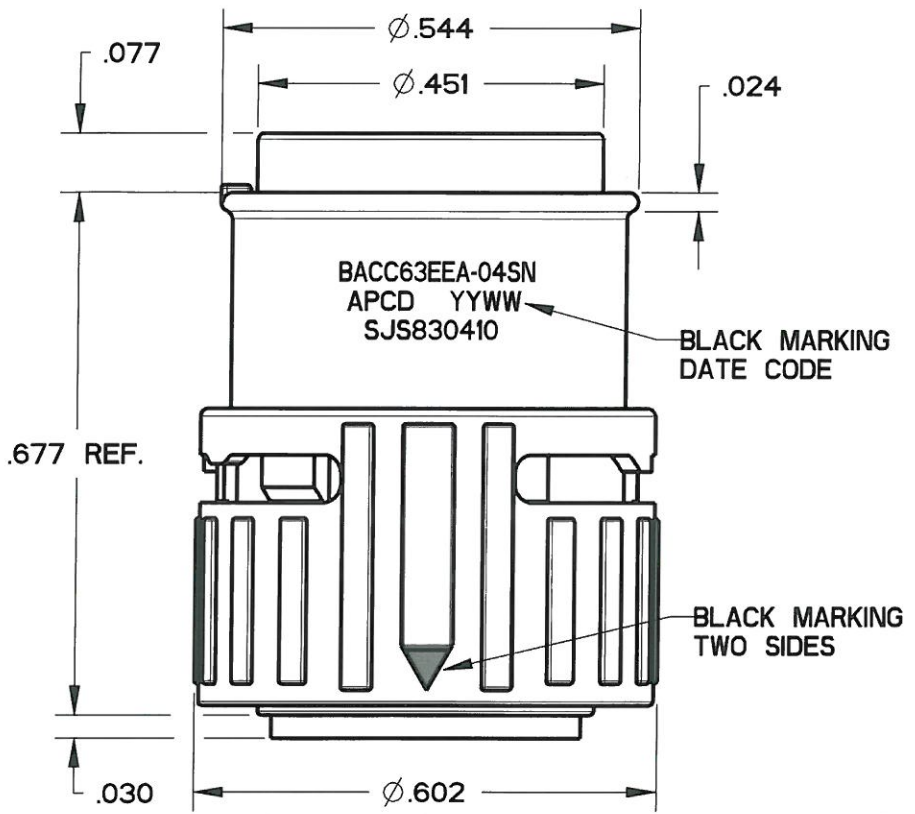
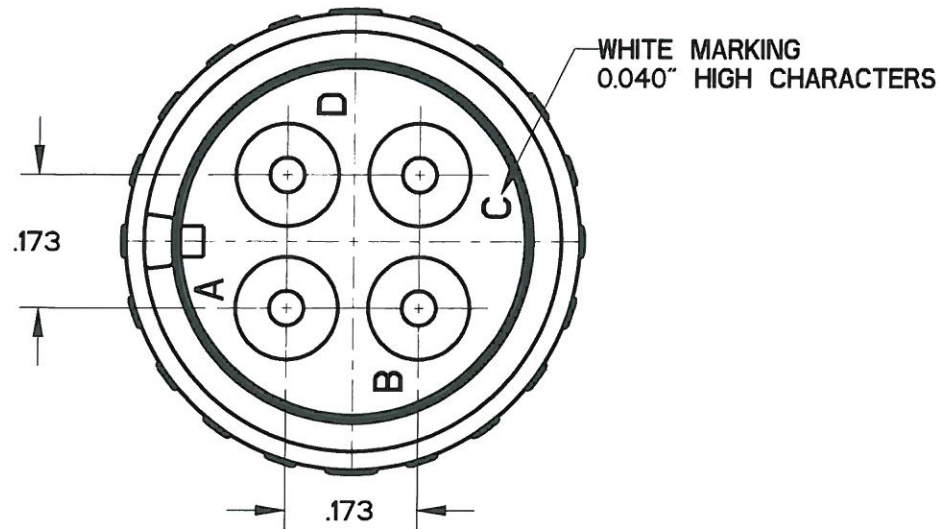
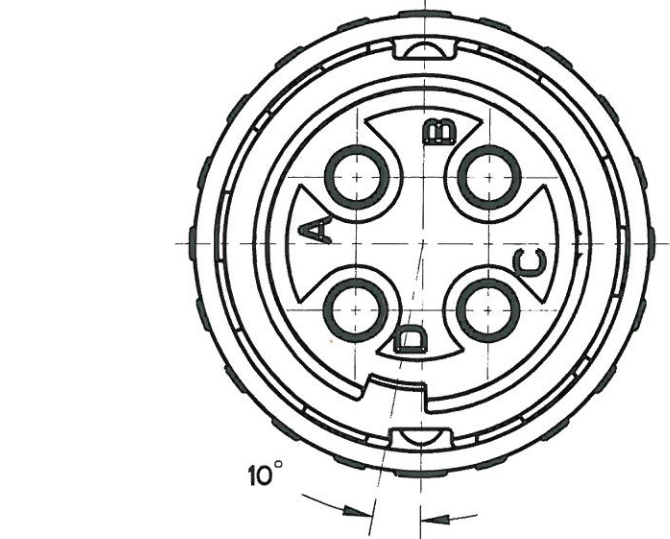


REV	ECN	APP'D
A	6351	JT 09/11/09
B	6473	JT 2/8/10
C	6481	JT 2/22/10
D	6573	JT 8/30/10
E	6655	JPT 1/18/11



SCALE 3:1



- NOTES:
- MATERIALS:  
HOUSING: PA6/6  
CONTACT RETAINER: STAINLESS STEEL  
GROMMET: SILICONE RUBBER PER A-A-59588
  - MATING CONTACTS: SEE TABLE I
  - TEST SPECIFICATION: BACC63EE
  - WHEN ASSEMBLED, "LOCK" AND ARROW MARKINGS MUST ALIGN WITH BLACK DOT
  - PART MATES WITH SJS830400
  - WEIGHT: 2.7 GRAMS
  - SUPPLIED WITH DUST CAP

TABLE I

APCD P/N	BOEING P/N	P/N MARKING(S)	CONTACTS SUPPLIED
SJS830410	BACC63EEA-04SNH	BACC63EEA-04SN	NONE
SJS830411	BACC63EEA-04SN	SJS830410	(4) M39029/57-358

<b>DIMENSIONS</b> ANSI Y14.5M UNITS: INCHES Pro/E FILE	<b>TOLERANCES</b> .XX ±0.01 .XXX ±0.005 ANGLES ±1.0°	<b>PROJECTION</b> 	<b>Amphenol Pcd</b> SPECIFICATION DRAWING		<b>TITLE</b> BACC63EEA-04SN 4P SZ16 INLINE WHITE PLUG FOR SJS		
			ENGR Frank.Li 15-Mar-09	CHKD  1/18/11	APPD  1/18/11	SIZE <b>B</b>	DWG NO. SJS830410_CE
ORIGINAL 	THIS DOCUMENT CONTAINS PROPRIETARY INFORMATION WHICH IS THE CONFIDENTIAL PROPERTY OF AMPHENOL PCD INC., BEVERLY, MA			CODE: 58982	SCALE: 4:1	SHEET 1 OF 1	

SJS830410

SJS830410