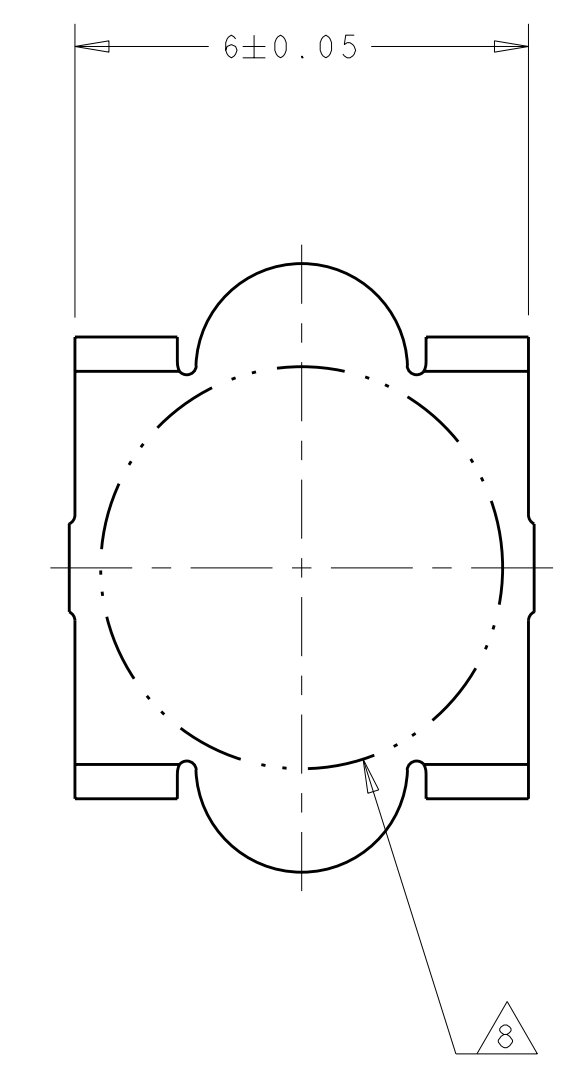
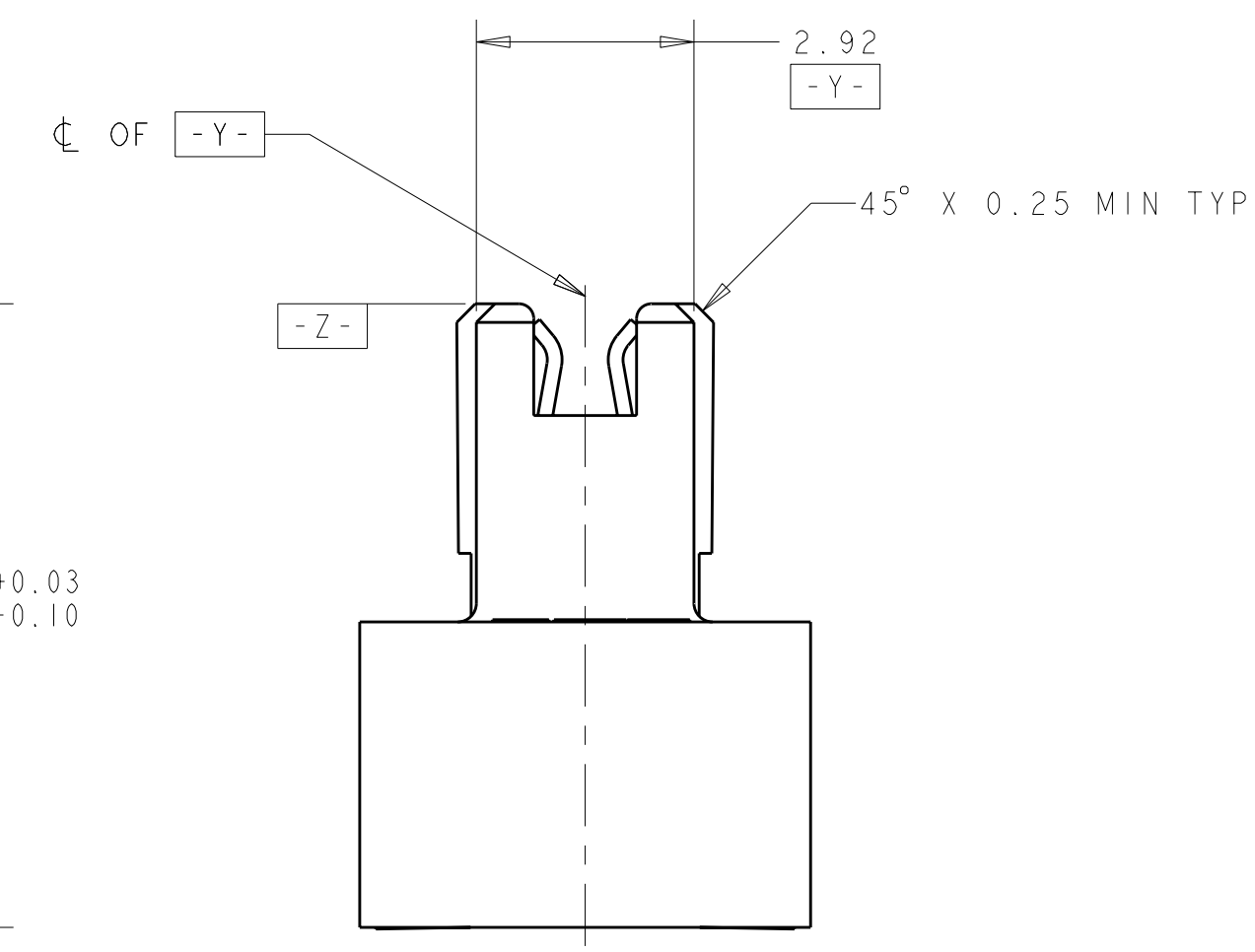
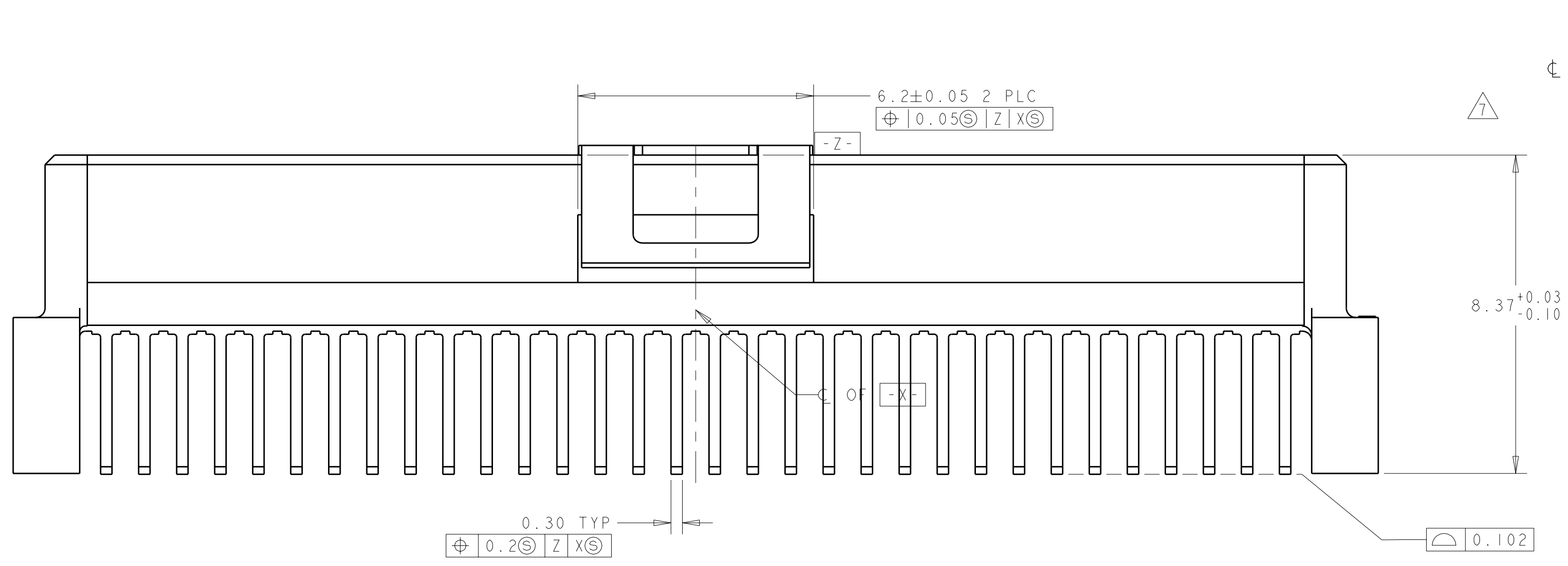
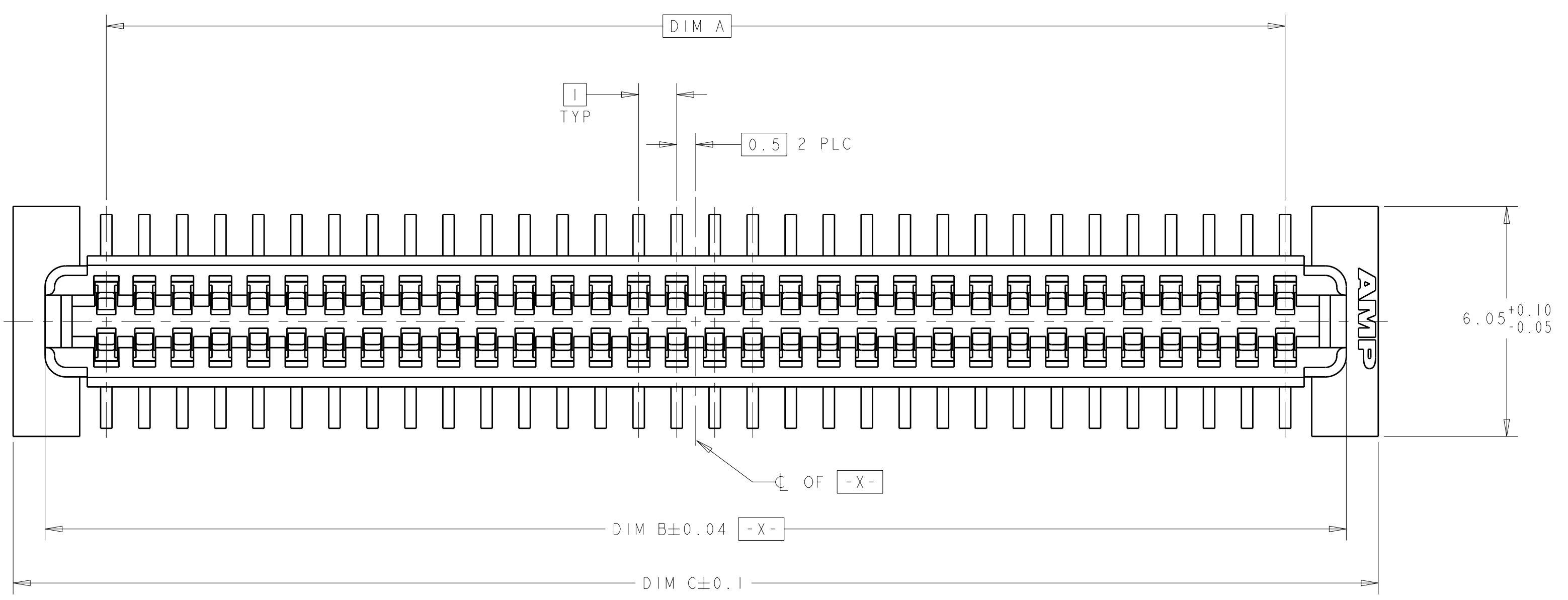
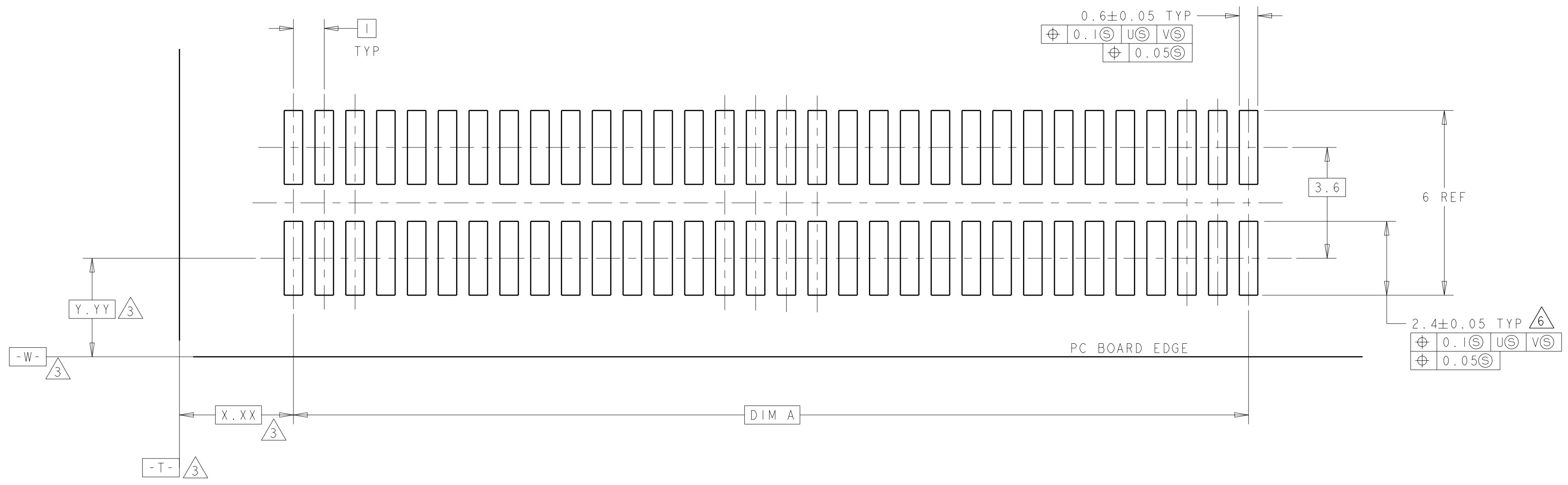


| LOC | DIST | REVISIONS | | | |
|-----|------|-----------|-----------|-----|------|
| | | REV | DATE | BY | CHKD |
| AD | 39 | F | 10FEB2004 | RWS | RHW |
| | | G | 12FEB2004 | RWS | RHW |
| | | H | 10JUL2008 | DH | DB |



VACUUM COVER

- 1 HOUSING MATERIAL: HIGH TEMPERATURE THERMOPLASTIC, COLOR: BLACK. CONTACT MATERIAL: PHOSPHOR BRONZE.
- 2 CONTACT FINISH: NICKEL UNDERPLATE ALL OVER, MATING SURFACES PLATED TO MEET PLI PERFORMANCE REQUIREMENTS OF INDUSTRY SPECIFICATION EIA-700AAAB, SOLDER TAILS PLATED TIN-LEAD.
- 3 DATUM LOCATIONS AND BASIC DIMENSIONS TO BE ESTABLISHED BY THE CUSTOMER. CONSULT AMP ENGINEERING WHEN PLACING MULTIPLE CONNECTORS ON A PC BOARD.
- 4 PACKAGED IN TAPE ON REEL PER EIA-481.
- 5 VACUUM COVER DESIGNED FOR 4mm DIA. NOZZLE. COVER TO BE REMOVED AFTER SOLDERING. VACUUM COVER OMITTED FROM SOME VIEWS FOR DIMENSIONAL CLARITY.
- 6 SHORTER SOLDER LANDS MAY BE USED PER EIA 700AAAB, HOWEVER 2.4 LENGTH ASSURES OPTIMUM SOLDER FILLET REGARDLESS OF MANUFACTURER OF CONNECTOR.
- 7 REFERRED TO AS DIM H = 8.3 ± 0.1 IN EIA 700AAAB SPECIFICATION.
- 8 5.5 MIN DIAMETER TARGET AREA FOR VACUUM PICK-UP.
- 9 CONTACT FINISH: 0.00381 MINIMUM MATTE TIN-LEAD (93-7) ON SOLDER AREA, 0.00127 MINIMUM GOLD ON MATING AREA, BOTH OVER 0.00127 MINIMUM NICKEL ON ENTIRE CONTACT.



RECOMMENDED PC BOARD LAYOUT

| FINISH | DIM C | DIM B | DIM A | MATING CONNECTOR | STACK HGTS | POS | PART NO |
|--------|-------|-------|-------|------------------|------------|-----|------------|
| 9 | 45.9 | 44.22 | 41 | 120534-2 | 13 | 84 | 1-120530-2 |
| 9 | 35.9 | 34.22 | 31 | 120534-1 | 13 | 64 | 1-120530-1 |
| 2 | 45.9 | 44.22 | 41 | 120534-2 | 13 | 84 | 120530-2 |
| 2 | 35.9 | 34.22 | 31 | 120534-1 | 13 | 64 | 120530-1 |

| | | | | | | | |
|---|--|---|--|---|--|---|--|
| DIMENSIONS: mm TOLERANCES UNLESS OTHERWISE SPECIFIED: 9 PLC ± 5 PLC ±0.03 4 PLC ±0.003 ANGLES ±0°-1' | | DIMENSIONS: mm TOLERANCES UNLESS OTHERWISE SPECIFIED: 9 PLC ± 5 PLC ±0.03 4 PLC ±0.003 ANGLES ±0°-1' | | DIMENSIONS: mm TOLERANCES UNLESS OTHERWISE SPECIFIED: 9 PLC ± 5 PLC ±0.03 4 PLC ±0.003 ANGLES ±0°-1' | | DIMENSIONS: mm TOLERANCES UNLESS OTHERWISE SPECIFIED: 9 PLC ± 5 PLC ±0.03 4 PLC ±0.003 ANGLES ±0°-1' | |
| MATERIAL: SEE TABLE | | FINISH: SEE TABLE | | DWN: J. REED 27/17/97 CHK: L. VO 27/17/97 APVD: | | NAME: AMP Tyco Electronics Harrisburg, PA 17105-3608 | |
| PRODUCT SPEC: 502-1079 APPLICATION SPEC: 114-25045 | | WEIGHT: | | RCPT ASSY, W/COVER, 1.0mmFH (IEEE1386) CONNECTOR | | SIZE: CAGE CODE DRAWING NO: 00779 C=120530 | |
| CUSTOMER DRAWING | | SCALE: 10:1 | | SHEET 1 OF 1 | | REV H | |