

PART NAME: KNOB SCALE: 1:1 DATE: 3/29/46 DR. BY JVA

DAVIES MOLDING COMPANY
CAROL STREAM, ILLINOIS 60188

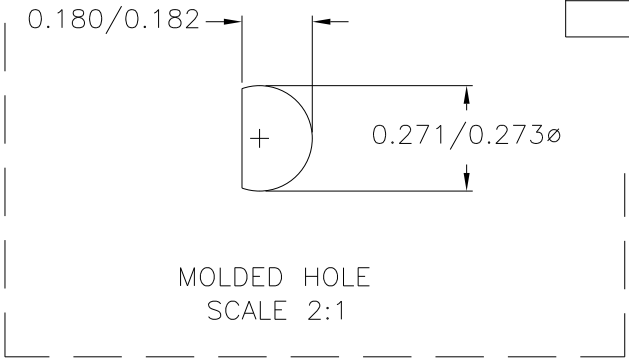
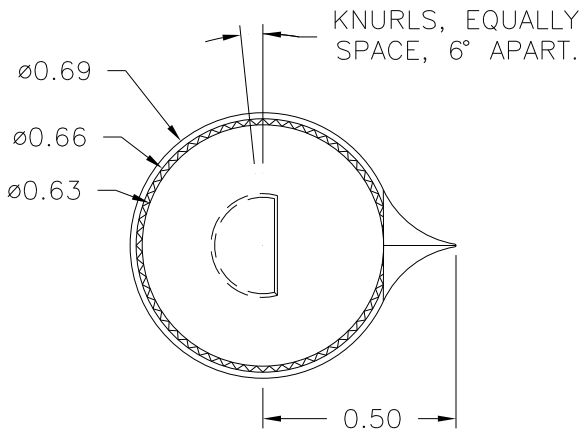
P/N 1400-A

THIS DRAWING IS THE PROPERTY OF DAVIES MOLDING COMPANY, IS SUBMITTED SOLELY AS A DESIGN OR ENGINEERING PROJECT. WE ACCEPT NO RESPONSIBILITY WHATSOEVER FOR THE PRACTICAL APPLICATION OF THE PIECES MADE TO THIS DESIGN.

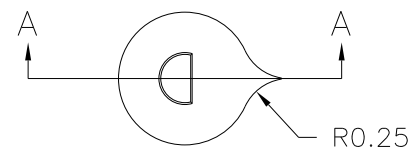
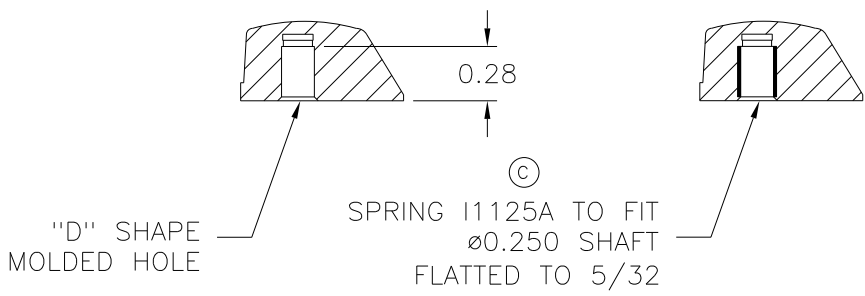
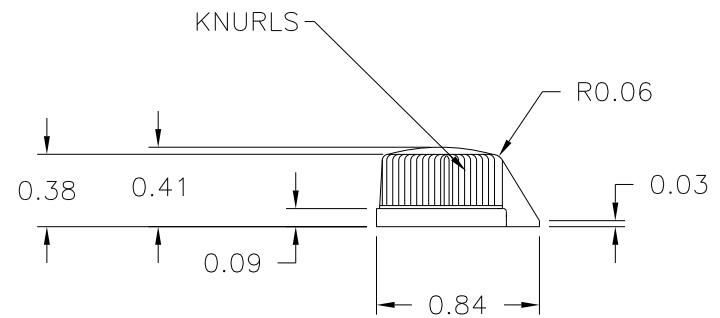
BASE PART 1400-16

© SPRING I1125A

SCALE 2 : 1



SECTION A-A



MATERIAL: G.P. PHENOLIC (B11)
COLOR: BLACK

TOLERANCES: UNLESS OTHERWISE SPECIFIED	DO NOT SCALE DRAWING
DECIMALS: X.XXX ± .005 X.XX ± .015	MM: X.XX ± 0.15MM X.X ± 0.4MM
FRACTIONS ± 1/64	ANG. ± 1°

-	UPDATED/HAD TOOLBOX	ST	10/5/2000
-	CAD/REDRAWN	HD	7/11/96
C	WAS I0376 (B)	HD	8/20/81
B	WAS I0182 (A)	LSP	2/5/58
A	WAS I0049	JVA	12/12/47

CHANGES