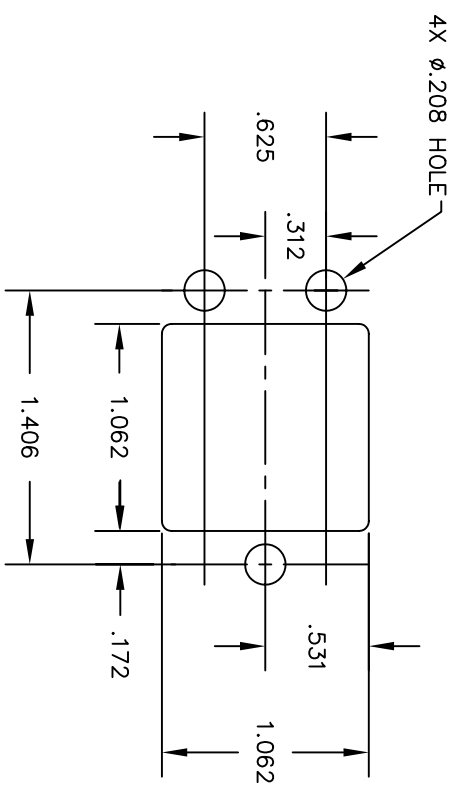
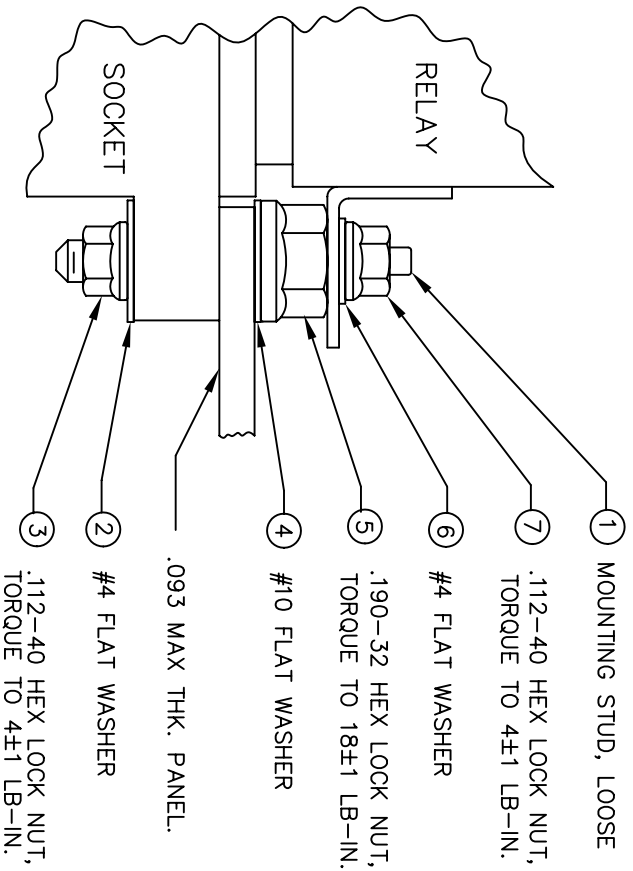


REV	ECN	APP'D
-	5689	

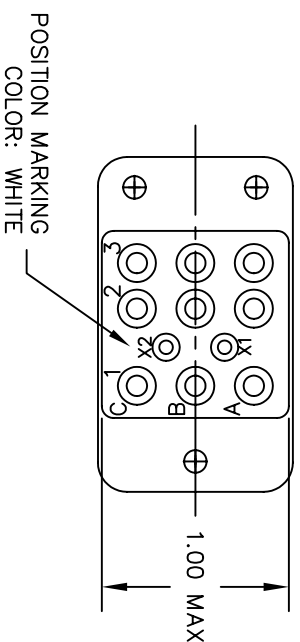
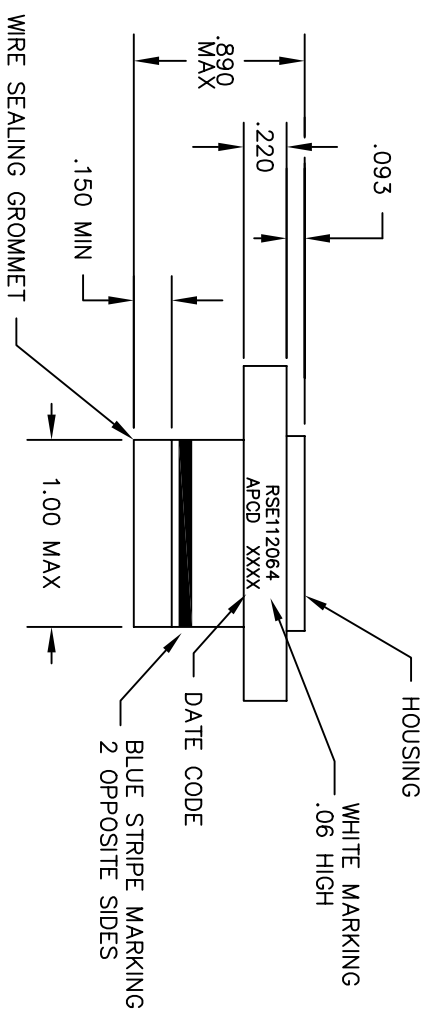
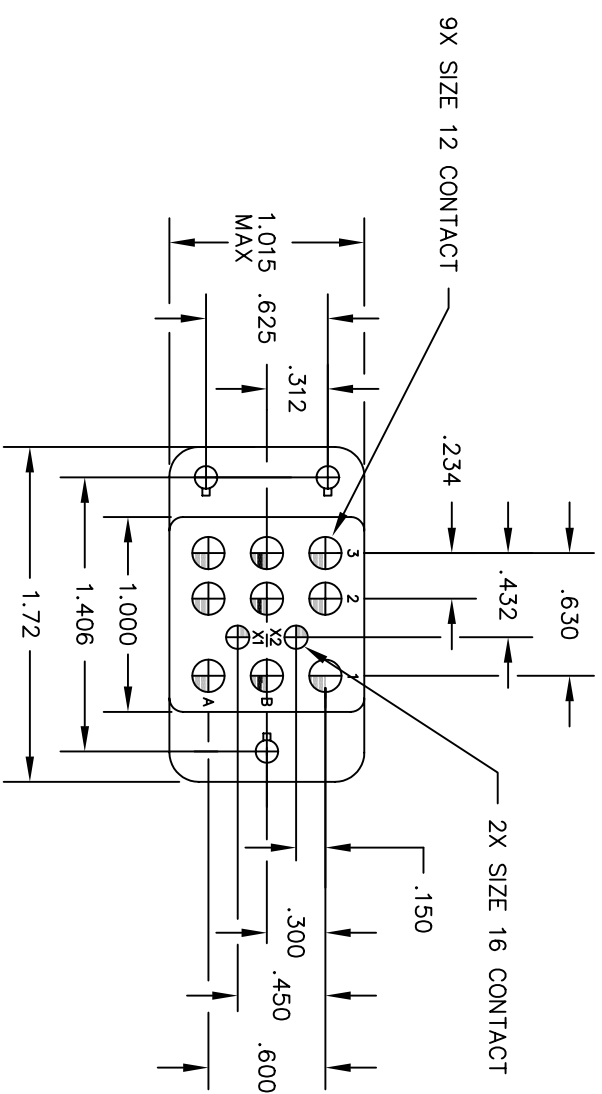


RECOMMENDED MOUNTING  
PANEL HOLE



MOUNTING HARDWARE  
INSTALLATION SEQUENCE BY ITEM NUMBER  
TYP 4 PLACES

- ① MOUNTING STUD, LOOSE
- ⑦ .112-40 HEX LOCK NUT,  
TORQUE TO 4±1 LB-IN.
- ⑥ #4 FLAT WASHER
- ⑤ .190-32 HEX LOCK NUT,  
TORQUE TO 18±1 LB-IN.
- ④ #10 FLAT WASHER
- ④ .093 MAX THK. PANEL.
- ② #4 FLAT WASHER
- ③ .112-40 HEX LOCK NUT,  
TORQUE TO 4±1 LB-IN.



NOTES:  
1. CONFORMS TO PERFORMANCE REQUIREMENTS OF MIL-PRF-12883

- 2. MATERIALS:  
A. HOUSING - POLYETHERIMIDE, COLOR: BLUE-GREEN.  
B. GROMMET - SILICONE ELASTOMER, COLOR: RED.
- 3. SOCKET CONTACTS CONFORM TO PERFORMANCE REQUIREMENTS OF MIL-C-39029, GOLD OVER NICKEL PLATE.
- 4. OPERATING TEMPERATURE: +125°C/-65°C CONTINUOUS.
- 5. CONTACT INSTALLATION TOOLS:  
#12 CONTACT CRIMP TOOL: M22520/1-01  
POSITIONER: M22520/1-02  
INSERTION/REMOVAL: M81969/14-04  
#16 CONTACT CRIMP TOOL: M22520/1-01  
POSITIONER: M22520/1-02  
INSERTION/REMOVAL: M81969/14-03.

DIMENSIONS	TOLERANCES	PROJECTION
ANSI Y14.5M UNITS: INCHES ACAD FILE	.XX ±.01 .XXX ±.005 ANGLES ±2°	

**Amphenol Pcd**  
SPECIFICATION DRAWING

ENGR  
R. SWAINE 9/20/05

ORIGINAL	THIS DOCUMENT CONTAINS PROPRIETARY INFORMATION WHICH IS THE CONFIDENTIAL PROPERTY OF AMPHENOL PCD INC. PEABODY, MA
----------	---

CHKD	APPD
------	------

PART NO.	CONTACTS SUPPLIED
RSE112064	-
SZ 12/12 CNS128900	SZ 16/16 CNS126900

TITLE  
RELAY SOCKET  
SIZE 12 & 16  
LOOSE STUD

SIZE	DWG NO.	REV
B	RSE112064	-
CODE: 58982	1:1	SHEET 1 OF 1