



**AS4C32M16MD1**

---

**512M (32M x16 bit) Mobile DDR SDRAM**

**Confidential**

**(Rev. 2.0, Feb. /2014)**

---

## **LPDDR MEMORY**

**512M (32Mx16bit) Mobile DDR SDRAM**



# AS4C32M16MD1

---

## 512M (32M x16 bit) Mobile DDR SDRAM

---

Confidential

(Rev. 2.0, Feb. /2014)

---

### Revision History

Revision No	Description	Date
1.0	Initial Release	2014/02/04
2.0	Clock frequency to 200MHz – data rate: 400Mbps – 5ns access speed option update	2014/02/17

---

**512M (32M x16 bit) Mobile DDR SDRAM**

---

**Confidential****(Rev. 2.0, Feb. /2014)**

---

**1. FEATURES**

- **Density** : 512Mbit
- **Organization**
  - x16 bit : 8M words x 16bits x 4banks
- **Power supply** : VDD, VDDQ = 1.7 to 1.95V
- **Speed**
  - Clock frequency : 200MHz (max.)
  - Data rate : 400Mbps (max.)
- **2KB page size**
  - Row address : A0 to A12
  - Column address : A0 to A9 (x16 bits)
- **Four internal banks for concurrent operation**
- **Interface** : LVCMOS
- **Burst lengths (BL)** : 2, 4, 8, 16
- **Burst type (BT)**
  - Sequential : 2, 4, 8, 16
  - Interleave : 2, 4, 8, 16
- **CAS# latency (CL)** : 3
- **Precharge** : auto precharge option for each burst access
- **Driver strength** : normal, 1/2, 1/4, 1/8
- **Refresh** : auto-refresh, self-refresh
- **Refresh cycles** : 8192 cycles/64ms
  - Average refresh period : 7.8us
- **Operating junction temperature range**
  - Tj= -30°C to +85°C
- **Package**: 60-ball FBGA (8x9mm)
- **All parts are ROHS Compliant**
- Low power consumption
- Partial Array Self-Refresh (PASR)
- Auto Temperature Compensated Self-Refresh (ATCSR) by built-in temperature sensor
- Deep power down mode
- Burst termination by burst stop command and precharge command
- DDL is not implemented
- Double-data-rate architecture :
  - Two data transfers per one clock cycle
- The high speed data transfer is realized by the 2bits prefetch pipelined architecture
- Bi-directional data strobe (DQS) is transmitted/received with data for capturing data at the receiver
- DQS is edge-aligned with data for READs; center-aligned with data for WRITEs
- Differential clock inputs (CK and CK#)
- Commands entered on each positive CK edge; data and data mask referenced to both edges of DQS
- Data mask (DM) for write data

## 2. GENERAL DESCRIPTION

This device is 536,870,912 bits of double data rate synchronous DRAM organized as 4 banks of 8,388,608 words by 16 bits. The synchronous operation with Data Strobe allows extremely high performance. JSC is applied to reduce leakage and refresh currents while achieving very high speed. I/O transactions are possible on both edges of the clock. The ranges of operating frequencies, programmable burst length and programmable latencies allow the device to be useful for a variety of high performance memory system applications.

**Table 1. Speed Grade Information**

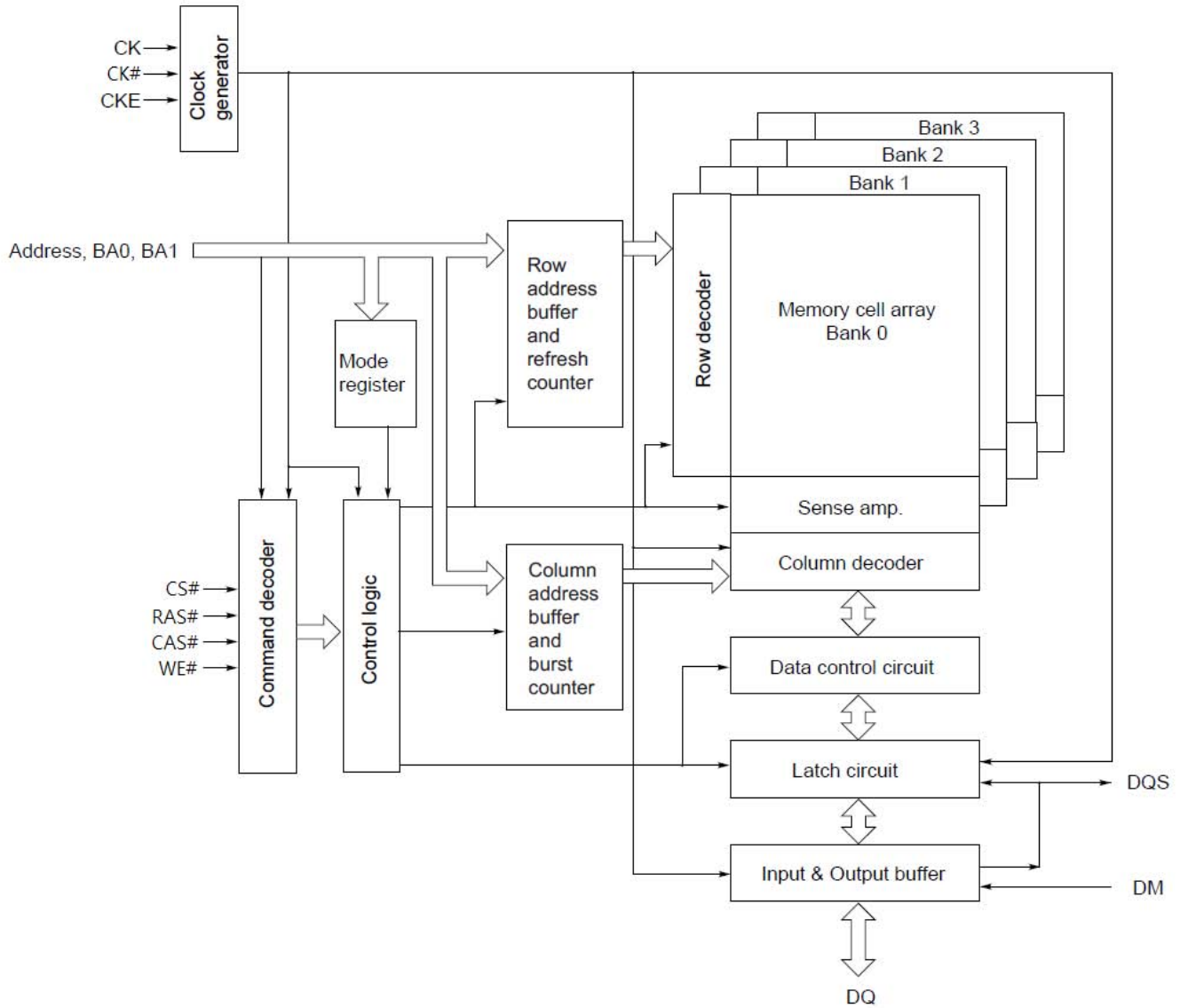
Speed Grade – Data rate	Clock Frequency	CAS Latency	t <sub>RCD</sub> (ns)	t <sub>RP</sub> (ns)
400Mbps (max)	200 MHz (max)	3	15	15

**Table 2 – Ordering Information for ROHS Compliant Products**

Product part No	Org	Temperature	Max Clock (MHz)	Package
AS4C32M16MD1-5BCN	32 x 16	-30°C to 85°C	200	60-ball FBGA

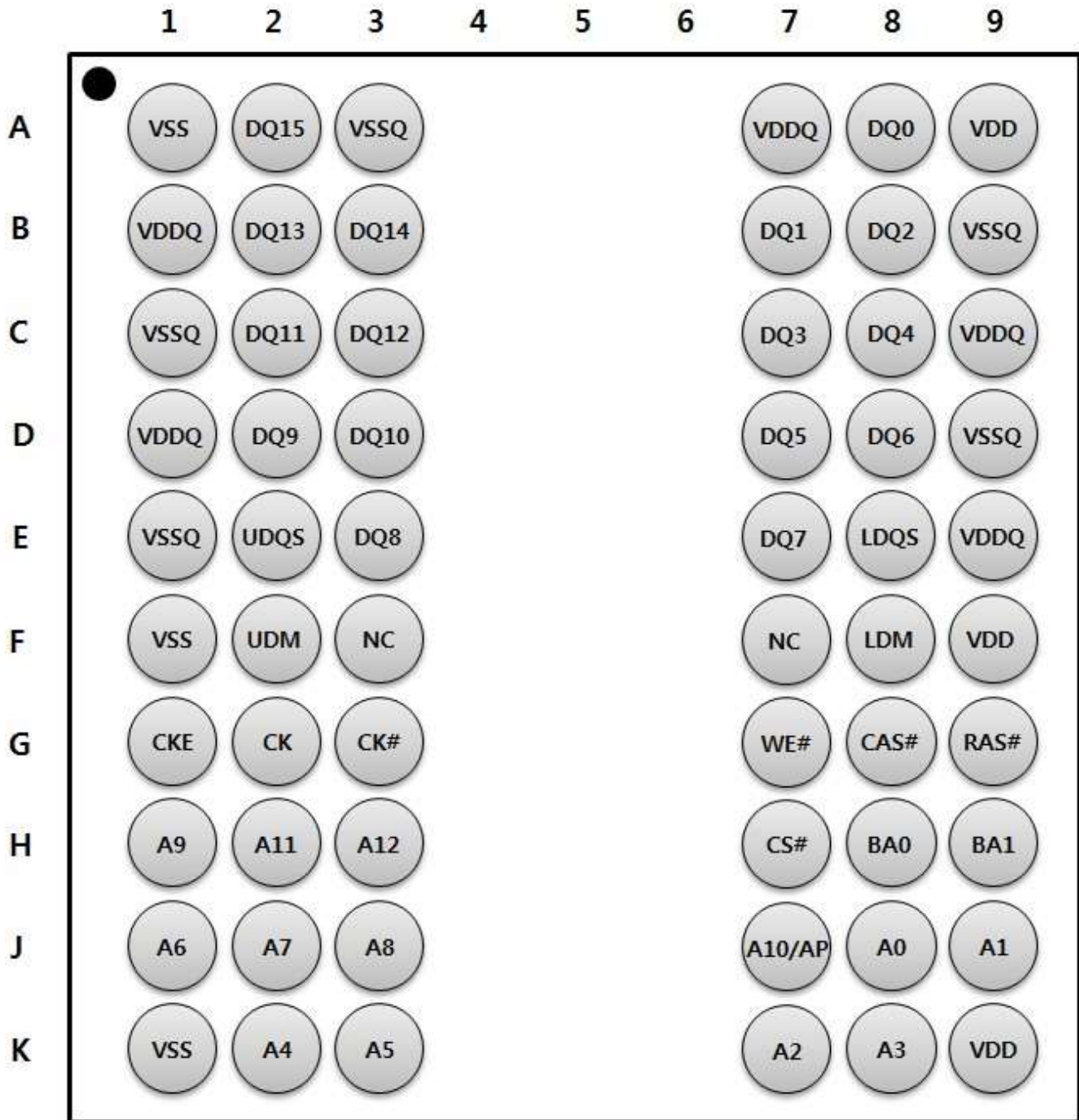
## 2.1 Block Diagram

Figure 2.1 Block Diagram



## 2.2 Package Pin Configurations

Figure 2.2 Pin configurations



< Top View >

## 2.4 Pin Description

### CK, CK# (input pins)

The CK and the CK# are the master clock inputs. All inputs except DMs, DQSs and DQs are referred to the cross point of the CK rising edge and the CK# falling edge. When a read operation, DQSs and DQs are referred to the cross point of the CK and the CK#. When a write operation, DMs and DQs are referred to the cross point of the DQS and the VDDQ/2 level. DQSs for write operation are referred to the cross point of the CK and the CK#. The other input signals are referred at CK rising edge.

### CS# (input pin)

When CS# is low, commands and data can be input. When CS# is high, all inputs are ignored. However, internal operations (bank active, burst operations, etc.) are held.

### RAS#, CAS#, and WE# (input pins)

These pins define operating commands (read, write, etc.) depending on the combinations of their voltage levels. See "Command operation".

### A0 to A12 (input pins)

Row address (AX0 to AX12) is determined by the A0 to the A12 level at the cross point of the CK rising edge and the CK# falling edge in a bank active command cycle. Column address is loaded at the cross point of the CK rising edge and the CK# falling edge in a read or a write command cycle (See Table 2.1). This column address becomes the starting address of a burst operation.

**Table 2.1 Address Pins**

Page size	Organization	Address ( A0 to A12 )	
		Row address	Column address
2KB	x16 bits	AX0 to AX12	AY0 to AY9

### A10 (AP) (input pin)

A10 defines the precharge mode when a precharge command, a read command or a write command is issued. If A10 = high when a precharge command is issued, all banks are pre-charged. If A10 = low when a precharge command is issued, only the bank that is selected by BA1/BA0 is pre-charged. If A10 = high when read or write command, auto precharge function is enabled.

### BA0 and BA1 (input pins)

BA0 and BA1 are bank select signals (BA). The memory array is divided into bank 0, bank 1, bank 2 and bank 3. (See Table 2.2)

**Table 2.2 Bank Select Signal**

	<b>BA0</b>	<b>BA1</b>
Bank 0	L	L
Bank 1	H	L
Bank 2	L	H
Bank 3	H	H

Note : H = VIH , L = VIL

**CKE (input pin)**

CKE controls power-down mode, self-refresh function and deep power-down function with other command inputs. The CKE level must be kept for 2 clocks at least, that is, if CKE changes at the cross point of the CK rising edge and the CK# falling edge with proper setup time tIS, by the next CK rising edge CKE level must be kept with proper hold time tIH.

**DQ0 to DQ15 (input/output pins)**

Data are input to and output from these pins.

**UDQS and LDQS (input and output pin)**

DQS provides the read data strobes (as output) and the write data strobes (as input). Each DQS pin corresponds to eight DQ pins, respectively (See Table 2.3).

**UDM and LDM (input pin)**

DM is the reference signals of the data input mask function. DM is sampled at the cross point of DQS and VDDQ/2. When DM = high, the data input at the same timing are masked while the internal burst counter will be counting up. Each DM pin corresponds to eight DQ pins, respectively (See Table 2.3).

**Table 2.3 DQS and DM Correspondence**

<b>Organization</b>	<b>DQS</b>	<b>Data mask</b>	<b>DQs</b>
x16 bits	LDQS	LDM	DQ0 to DQ7
	UDQS	UDM	DQ8 to DQ15

**VDD, VSS, VDDQ, VSSQ (Power supply)**

VDD and VSS are power supply pins for internal circuits. VDDQ and VSSQ are power supply pins for the output buffers. VDD must be equal to VDDQ.





### 3.2 Command Truth Table

The DDR Mobile RAM recognizes the following commands specified by the CS#, RAS#, CAS#, WE# and address pins.

**Table 3.1 Command Truth Table**

Command	Symbol	CKE		CS#	RAS#	CAS#	WE#	BA1	BA0	AP	Addr.
		n-1	n								
Ignore command	DESL	H	H	H	X	X	X	X	X	X	X
No operation	NOP	H	H	L	H	H	H	X	X	X	X
Burst stop command	BST	H	H	L	H	H	L	X	X	X	X
Column address and read command	READ	H	H	L	H	L	H	V	V	L	V
Read with auto precharge	READA	H	H	L	H	L	H	V	V	H	V
Column address and write command	WRIT	H	H	L	H	L	L	V	V	L	V
Write with auto precharge	WRITA	H	H	L	H	L	L	V	V	H	V
Row address strobe and bank active	ACT	H	H	L	L	H	H	V	V	V	V
Precharge select bank	PRE	H	H	L	L	H	L	V	V	L	X
Precharge all bank	PALL	H	H	L	L	H	L	X	X	H	X
Refresh	REF	H	H	L	L	L	H	X	X	X	X
	SELF	H	L	L	L	L	H	X	X	X	X
Mode register set	MRS	H	H	L	L	L	L	L	L	L	V
	EMRS	H	H	L	L	L	L	H	L	L	V

Note :

1. H : VIH , L : VIL , X : Don't care , V : Valid address input
2. The CKE level must be kept for 1 CK cycle at least.

#### Ignore command [DESL]

When CS# is high at the cross point of the CK rising edge and the CK# falling edge, all input signals are neglected and internal state is held.

#### No operation [NOP]

As long as this command is input at the cross point of the CK rising edge and the CK# falling edge, address and data input are neglected and internal state is held.

#### Burst stop command [BST]

This command stops a current burst operation.

**Column address strobe and read command [READ]**

This command starts a read operation. The start address of the burst read is determined by the column address (See Table 2.1) and the bank select address. After the completion of the read operation, all output buffers become high-Z.

**Read with auto precharge [READA]**

This command starts a read operation. After completion of the read operation, precharge is automatically executed.

**Column address strobe and write command [WRIT]**

This command starts a write operation. The start address of the burst write is determined by the column address (See Table 2.1) and the bank select address.

**Write with auto precharge [WRITA]**

This command starts a write operation. After completion of the write operation, precharge is automatically executed.

**Row address strobe and bank activate [ACT]**

This command activates the bank that is selected by BA0 and BA1 (See Table 2.2) and determines the row address (See Table 2.1).

**Precharge selected bank [PRE]**

This command starts precharge operation for the bank selected by BA0 and BA1. (See Table 2.2)

**Precharge all banks [PALL]**

This command starts a precharge operation for all banks.

**Refresh [REF/SELF]**

This command starts a refresh operation. There are two types of refresh operation, one is auto-refresh, and another is self-refresh. For details, refer to the CKE truth table section.

**Mode register set/Extended mode register set [MRS/EMRS]**

The DDR Mobile RAM has the two mode registers, the mode register and the extended mode register, to define how it works. The both mode registers are set through the address pins in the mode register set cycle. For details, refer to "Mode register and extended mode register set"

### 3.3 Function Truth Table

The following tables show the operations that are performed when each command is issued in each state of the DDR Mobile RAM.

**Table 3.2 Command Truth Table**

Current state	CS#	RAS#	CAS#	WE#	Address	Command	Operation
Pre-charging* <sup>1</sup>	H	X	X	X	X	DESL	NOP
	L	H	H	H	X	NOP	NOP
	L	H	H	L	X	BST	ILLEGAL* <sup>11</sup>
	L	H	L	H	BA,CA,A10	READ/READA	ILLEGAL* <sup>11</sup>
	L	H	L	L		WRIT/WRITA	ILLEGAL* <sup>11</sup>
	L	L	H	H		ACT	ILLEGAL* <sup>11</sup>
	L	L	H	L		PRE,PALL	NOP
	L	L	L	X	X		ILLEGAL
Idle* <sup>2</sup>	H	X	X	X	X	DESL	NOP
	L	H	H	H	X	NOP	NOP
	L	H	H	L	X	BST	NOP
	L	H	L	H	BA,CA,A10	READ/READA	ILLEGAL* <sup>11</sup>
	L	H	L	L	BA,CA,A10	WRIT/WRITA	ILLEGAL* <sup>11</sup>
	L	L	H	H	BA,RA	ACT	Activating
	L	L	H	L	BA,A10	PRE,PALL	NOP
	L	L	L	H	X	REF,SELF	Refresh / Self-refresh* <sup>12</sup>
	L	L	L	L	MODE	MRS	Mode register set* <sup>12</sup>
Refresh (auto refresh)* <sup>3</sup>	H	X	X	X	X	DESL	NOP
	L	H	H	H	X	NOP	NOP
	H	H	H	L	X	BST	ILLEGAL
	L	H	L	X	X		ILLEGAL
	L	L	X	X	X		ILLEGAL

Current state	CS#	RAS#	CAS#	WE#	Address	Command	Operation
Activating* <sup>4</sup>	H	X	X	X	X	DESL	NOP
	L	H	H	H	X	NOP	NOP
	L	H	H	L	X	BST	ILLEGAL* <sup>11</sup>
	L	H	L	H	BA,CA,A10	READ/READA	ILLEGAL* <sup>11</sup>
	L	H	L	L	BA,CA,A10	WRIT/WRITA	ILLEGAL* <sup>11</sup>
	L	L	H	H	BA,RA	ACT	ILLEGAL* <sup>11</sup>
	L	L	H	L	BA,A10	PRE,PALL	ILLEGAL* <sup>11</sup>
	L	L	L	X	X		ILLEGAL
Active* <sup>5</sup>	H	X	X	X	X	DESL	NOP
	L	H	H	H	X	NOP	NOP
	L	H	H	L	X	BST	NOP
	L	H	L	H	BA,CA,A10	READ/READA	Starting read operation
	L	H	L	L	BA,CA,A10	WRIT/WRITA	Starting read operation
	L	L	H	H	BA,RA	ACT	ILLEGAL* <sup>11</sup>
	L	L	H	L	BA,A10	PRE,PALL	Pre-charge
	L	L	L	X	X		ILLEGAL
Read* <sup>6</sup>	H	X	X	X	X	DESL	NOP
	L	H	H	H	X	NOP	NOP
	L	H	H	L	X	BST	Burst stop
	L	H	L	H	BA,CA,A10	READ/READA	Interrupting burst read operation to start new read
	L	H	L	L	BA,CA,A10	WRIT/WRITA	ILLEGAL* <sup>13</sup>
	L	L	H	H	BA,RA	ACT	ILLEGAL* <sup>11</sup>
	L	L	H	L	BA,A10	PRE,PALL	Interrupting burst read operation to start pre-charge
	L	L	L	X	X		ILLEGAL

Current state	CS#	RAS#	CAS#	WE#	Address	Command	Operation
Read with auto pre-charge <sup>*7</sup>	H	X	X	X	X	DESL	NOP
	L	H	H	H	X	NOP	NOP
	L	H	H	L	X	BST	ILLEGAL
	L	H	L	H	BA,CA,A10	READ/READA	ILLEGAL
	L	H	L	L	BA,CA,A10	WRIT/WRITA	ILLEGAL
	L	L	H	H	BA,RA	ACT	ILLEGAL <sup>*11</sup>
	L	L	H	L	BA,A10	PRE,PALL	ILLEGAL <sup>*11</sup>
	L	L	L	X	X		ILLEGAL
Write <sup>*8</sup>	H	X	X	X	X	DESL	NOP
	L	H	H	H	X	NOP	NOP
	L	H	H	L	X	BST	Burst stop
	L	H	L	H	BA,CA,A10	READ/READA	Interrupting burst write operation to start read operation
	L	H	L	L	BA,CA,A10	WRIT/WRITA	Interrupting burst write operation to start new write operation
	L	L	H	H	BA,RA	ACT	ILLEGAL <sup>*11</sup>
	L	L	H	L	BA,A10	PRE,PALL	Interrupting write operation to start pre-charge
	L	L	L	X	X		ILLEGAL
Write recovering <sup>*9</sup>	H	X	X	X	X	DESL	NOP
	L	H	H	H	X	NOP	NOP
	L	H	H	L	X	BST	ILLEGAL
	L	H	L	H	BA,CA,A10	READ/READA	Starting read operation
	L	H	L	L	BA,CA,A10	WRIT/WRITA	Starting new write operation
	L	L	H	H	BA,RA	ACT	ILLEGAL <sup>*11</sup>
	L	L	H	L	BA,A10	PRE,PALL	ILLEGAL <sup>*11</sup>
	L	L	L	X	X		ILLEGAL

Current state	CS#	RAS#	CAS#	WE#	Address	Command	Operation
Write with auto pre-charge <sup>*10</sup>	H	X	X	X	X	DESL	NOP
	L	H	H	H	X	NOP	NOP
	L	H	H	L	X	BST	ILLEGAL
	L	H	L	H	BA,CA,A10	READ/READA	ILLEGAL
	L	H	L	L	BA,CA,A10	WRIT/WRITA	ILLEGAL
	L	L	H	H	BA,RA	ACT	ILLEGAL <sup>*11</sup>
	L	L	H	L	BA,A10	PRE,PALL	ILLEGAL <sup>*11</sup>
	L	L	L	X	X		ILLEGAL

Note :

1. The DDR Mobile RAM is in "Pre-charging" state for tRP after precharge command is issued.
2. The DDR Mobile RAM reaches "IDLE" state tRP after precharge command is issued.
3. The DDR Mobile RAM is in "Refresh" state for tRFC after auto-refresh command is issued.
4. The DDR Mobile RAM is in "Activating" state for tRCD after ACT command is issued.
5. The DDR Mobile RAM is in "Active" state after "Activating" is completed.
6. The DDR Mobile RAM is in "READ" state until burst data have been output and DQ output circuits are turned off.
7. The DDR Mobile RAM is in "READ with auto precharge" from READA command until burst data has been output and DQ output circuits are turned off.
8. The DDR Mobile RAM is in "WRITE" state from WRIT command to the last burst data are input.
9. The DDR Mobile RAM is in "Write recovering" for tWR after the last data are input.
10. The DDR Mobile RAM is in "Write with auto precharge" until tWR after the last data has been input.
11. This command may be issued for other banks, depending on the state of the banks.
12. Not bank-specific; requires that all banks are idle and no bursts are in progress.
13. Before executing a write command to stop the preceding burst read operation, BST command must be issued.
14. H : VIH , L : VIL , X : Don't care

### 3.4 CKE Truth Table

**Table 3.3 CKE Truth Table**

Current state	Command	CKE		CS#	RAS#	CAS#	WE#	Address	Note
		n-1	n						
Idle	Auto refresh command (REF)	H	H	L	L	L	H	X	2
Idle	Self refresh entry (SELF)	H	L	L	L	L	H	X	2
Active / Idle	Power down entry (PDEN)	H	L	L	H	H	H	X	
		H	L	H	X	X	X	X	
Idle	Deep power down entry (DPDEN)	H	L	L	H	H	L	X	2
Self refresh	Self refresh exit (SELFX)	L	H	L	H	H	H	X	
		L	H	H	X	X	X	X	
Power down	Power down exit (PDEX)	L	H	L	H	H	H	X	
		L	H	H	X	X	X	X	
Deep power down	Power down exit (DPDEX)	L	H	X	X	X	X	X	

Note :

1. H : VIH , L : VIL , X : Don't care.
2. All the banks must be in IDLE and no bursts in progress before executing this command.
3. The CKE level must be kept for 1 CK cycle at least.

#### Auto-refresh command [REF]

This command executes auto-refresh. The bank and the ROW addresses to be refreshed are internally determined by the internal refresh controller. The output buffer becomes high-Z after auto-refresh start. Precharge has been completed automatically after the auto-refresh. The ACT or MRS command can be issued tRFC after the last auto-refresh command.

The average refresh interval is 7.8 $\mu$ s. To allow for improved efficiency in scheduling, some flexibility in the absolute refresh interval is provided. A maximum of eight auto-refresh commands can be posted to the DDR Mobile RAM or the maximum absolute interval between any auto-refresh command and the next auto-refresh command is 8  $\times$  tREFI.

#### Self-refresh entry [SELF]

This command starts self-refresh. The self-refresh operation continues as long as CKE is held low. During the self-refresh operation, all ROW addresses are repeated refreshing by the internal refresh controller. A self-refresh is terminated by a self-refresh exit command.



**Power-down mode entry [PDEN]**

tPDEN (= 2 clocks) after the cycle when [PDEN] is issued, the DDR Mobile RAM enters into power-down mode. In power-down mode, power consumption is suppressed by deactivating the input initial circuit. Power-down mode continues while CKE is held low. No internal refresh operation occurs during the power-down mode.

**Deep power-down entry [DPDEN]**

After the command execution, deep power-down mode continues while CKE remains low. Before executing deep power-down, all banks must be pre-charged or in idle state.

**Self-refresh exit [SELFX]**

This command is executed to exit from self-refresh mode. tSREX after [SELFX], the device will be into idle state.

**Power-down exit [PDEX]**

The DDR Mobile RAM can exit from power-down mode tPDEX (1 cycle min.) after the cycle when [PDEX] is issued.

**Deep power-down exit [DPDEX]**

As CKE goes high in the deep power-down mode, the DDR Mobile RAM exit from the deep power-down mode through deep power-down exiting sequence.

---

## 4. DEVICE OPERATION

### 4.1 Initialization

The DDR Mobile RAM is initialized in the power-on sequence according to the following.

1. Provide power, the device core power (VDD) and the device I/O power (VDDQ) must be brought up simultaneously to prevent device latch-up. Although not required, it is recommended that VDD and VDDQ are from the same power source. Also assert and hold Clock Enable (CKE) to a LV-CMOS logic high level.
2. Once the system has established consistent device power and CKE is driven high, it is safe to apply stable clock.
3. There must be at least **200µs** of valid clocks before any command may be given to the DRAM. During this time NOP or deselect (DESL) commands must be issued on the command bus.
4. Issue a precharge all command.
5. Provide NOPs or DESL commands for at least tRP time.
6. Issue an auto-refresh command followed by NOPs or DESL command for at least tRFC time. Issue the second auto-refresh command followed by NOPs or DESL command for at least tRFC time. Note as part of the initialization sequence there must be two auto-refresh commands issued. The typical flow is to issue them at Step 6, but they may also be issued between steps 10 and 11.
7. Using the MRS command, load the base mode register. Set the desired operating modes.
8. Provide NOPs or DESL commands for at least tMRD time.
9. Using the MRS command, program the extended mode register for the desired operating modes.
10. Provide NOP or DESL commands for at least tMRD time.
11. The DRAM has been properly initialized and is ready for any valid command.

### 4.2 Mode Register and Extended Mode Register Set

There are two mode registers, the mode register and the extended mode register so as to define the operating mode. Parameters are set to both through the A0 to the A12 and BA0 and BA1 pins by the mode register set command [MRS] or the extended mode register set command [EMRS]. The mode register and the extended mode register are set by inputting signal via the A0 to the A12 and BA0 and BA1 pins during mode register set cycles.

BA0 and BA1 determine which one of the mode register or the extended mode register are set. Prior to a read or a write operation, the mode register must be set.

### 4.2.1 Mode Register

The mode register has four fields;

Reserved	: A12 through A7
CAS latency	: A6 through A4
Wrap type	: A3
Burst length	: A2 through A0

Following mode register programming, no command can be issued before at least 2 clocks have elapsed.

#### **CAS# Latency**

CAS# latency must be set to 3.

#### **Burst Length**

Burst Length is the number of words that will be output or input in a read or write cycle. After a read burst is completed, the output bus will become high-Z. The burst length is programmable as 2, 4, 8 and 16.

#### **Wrap Type (Burst Sequence)**

The wrap type specifies the order in which the burst data will be addressed. This order is programmable as either "Sequential" or "Interleave". "Burst Operation" shows the addressing sequence for each burst length for each wrap type.

### 4.2.2 Extended Mode Register

The extended mode register has three fields;

Reserved	: A12 through A7, A4, A3
Driver Strength	: A6 through A5
Partial Array Self-Refresh	: A2 through A0

Following extended mode register programming, no command can be issued before at least 2 clocks have elapsed.

#### **Driver Strength**

By setting specific parameter on A6 and A5, driving capability of data output drivers is selected.

#### **Auto Temperature Compensated Self-Refresh (ATCSR)**

The DDR Mobile RAM automatically changes the self-refresh cycle by on die temperature sensor. No extended mode register program is required. Manual TCSR (Temperature Compensated Self-Refresh) is not implemented.

**Partial Array Self-Refresh**

Memory array size to be refreshed during self-refresh operation is programmable in order to reduce power. Data outside the defined area will not be retained during self-refresh.

### 4.3 Power Down & Deep Power Down

#### 4.3.1 Deep Power Down Exit Sequence

In order to exit from the deep power-down mode and enter into the idle mode, the following sequence is needed, which is similar to the power-on sequence.

1. A **200µs** or longer pause must precede any command other than ignore command (DESL).
2. After the pause, all banks must be pre-charged using the precharge command (the precharge all banks command is convenient).
3. Once the precharge is completed and the minimum tRP is satisfied, two or more Auto-refresh must be performed.
4. Both the mode register and the extended mode register must be programmed. After the mode register set cycle or the extended mode register set cycle, tMRD (2 clocks minimum) pause must be satisfied.

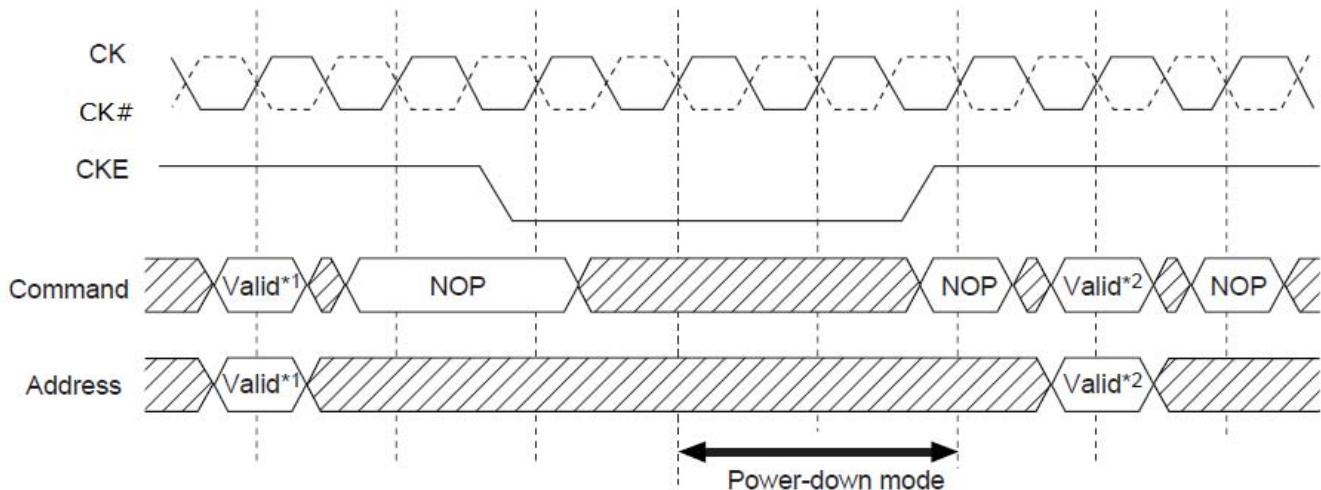
Remarks:

1. The sequence of Auto-refresh, mode register programming and extended mode register programming above may be transposed.
2. CKE must be held high.

#### 4.3.2 Power Down Mode and CKE Control

DDR Mobile RAM will be into power-down mode at the second CK rising edge after CKE to be low level with NOP or DESL command at first CK rising edge after CKE signal to be low.

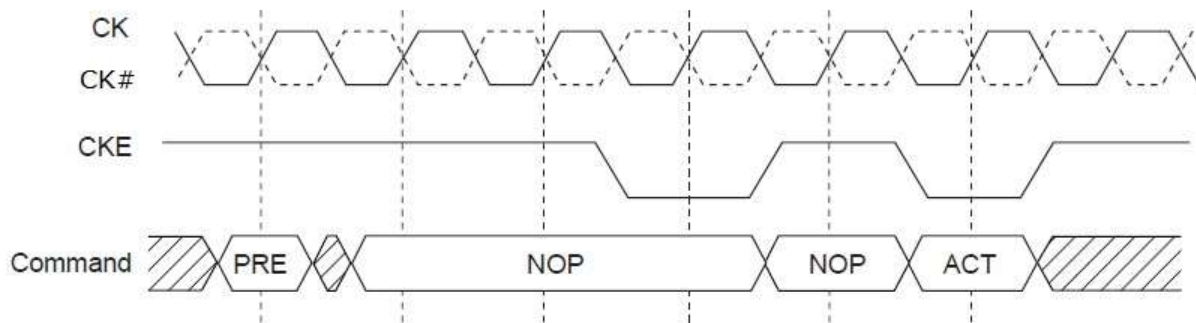
**Figure 4.1 Power Down Entry and Exit**



Notes:

1. Valid\*1 can be either Activate command or Precharge command, When Valid\*1 is Activate command, power-down mode will be active power-down mode, while it will be precharge power down mode, if Valid\*1 will be Precharge command.
2. Valid\*2 can be any command as long as all of specified AC parameters are satisfied.  
However, if the CKE has one clock cycle high and on clock cycle low just as below, even DDR Mobile RAM will not enter power-down mode, this command flow does not hurt any data and can be done.

**Figure 4.2 CKE Control**



Note: Assume PRE and ACT command is closing and activating same bank.



## 4.5 Burst Operation

The burst type (BT) and the first three bits of the column address determine the order of a data out.

**Table 4.1 Burst length = 2**

Starting Address		Addressing (decimal)	
A0		Sequence	Interleave
0		0, 1	0, 1
1		1, 0	1, 0

**Table 4.2 Burst length = 4**

Starting Address		Addressing (decimal)	
A1	A0	Sequence	Interleave
0	0	0, 1, 2, 3	0, 1, 2, 3
0	1	1, 2, 3, 0	1, 0, 3, 2
1	0	2, 3, 0, 1	2, 3, 0, 1
1	1	3, 0, 1, 2	3, 2, 1, 0

**Table 4.3 Burst length = 8**

Starting Address			Addressing (decimal)	
A2	A1	A0	Sequence	Interleave
0	0	0	0, 1, 2, 3, 4, 5, 6, 7	0, 1, 2, 3, 4, 5, 6, 7
0	0	1	1, 2, 3, 4, 5, 6, 7, 0	1, 0, 3, 2, 5, 4, 7, 6
0	1	0	2, 3, 4, 5, 6, 7, 0, 1	2, 3, 0, 1, 6, 7, 4, 5
0	1	1	3, 4, 5, 6, 7, 0, 1, 2	3, 2, 1, 0, 7, 6, 5, 4
1	0	0	4, 5, 6, 7, 0, 1, 2, 3	4, 5, 6, 7, 0, 1, 2, 3
1	0	1	5, 6, 7, 0, 1, 2, 3, 4	5, 4, 7, 6, 1, 0, 3, 2
1	1	0	6, 7, 0, 1, 2, 3, 4, 5	6, 7, 4, 5, 2, 3, 0, 1
1	1	1	7, 0, 1, 2, 3, 4, 5, 6	7, 6, 5, 4, 3, 2, 1, 0



**Table 4.4 Burst length = 16**

Starting Address				Addressing (decimal)	
A3	A2	A1	A0	Sequence	Interleave
0	0	0	0	0,1,2,3,4,5,6,7,8,9,10,11,12,13,14,15	0,1,2,3,4,5,6,7,8,9,10,11,12,13,14,15
0	0	0	1	1,2,3,4,5,6,7,8,9,10,11,12,13,14,15,0	1,0,3,2,5,4,7,6,9,8,11,10,13,12,15,14
0	0	1	0	2,3,4,5,6,7,8,9,10,11,12,13,14,15,0,1	2,3,0,1,6,7,4,5,10,11,8,9,14,15,12,13
0-	0	1	1	3,4,5,6,7,8,9,10,11,12,13,14,15,0,1,2	3,2,1,0,7,6,5,4,11,10,9,8,15,14,13,12
0	1	0	0	4,5,6,7,8,9,10,11,12,13,14,15,0,1,2,3	4,5,6,7,0,1,2,3,12,13,14,15,8,9,10,11
0	1	0	1	5,6,7,8,9,10,11,12,13,14,15,0,1,2,3,4	5,4,7,6,1,0,3,2,13,12,15,14,9,8,11,10
0	1	1	0	6,7,8,9,10,11,12,13,14,15,0,1,2,3,4,5	6,7,4,5,2,3,0,1,14,15,12,13,10,11,8,9
0	1	1	1	7,8,9,10,11,12,13,14,15,0,1,2,3,4,5,6	7,6,5,4,3,2,1,0,15,14,13,12,11,10,9,8
1	0	0	0	8,9,10,11,12,13,14,15,0,1,2,3,4,5,6,7	8,9,10,11,12,13,14,15,0,1,2,3,4,5,6,7
1	0	0	1	9,10,11,12,13,14,15,0,1,2,3,4,5,6,7,8	9,8,11,10,13,12,15,14,1,0,3,2,5,4,7,6
1	0	1	0	10,11,12,13,14,15,0,1,2,3,4,5,6,7,8,9	10,11,8,9,14,15,12,13,2,3,0,1,6,7,4,5
1	0	1	1	11,12,13,14,15,0,1,2,3,4,5,6,7,8,9,10	11,10,9,8,15,14,13,12,3,2,1,0,7,6,5,4
1	1	0	0	12,13,14,15,0,1,2,3,4,5,6,7,8,9,10,11	12,13,14,15,8,9,10,11,4,5,6,7,0,1,2,3
1	1	0	1	13,14,15,0,1,2,3,4,5,6,7,8,9,10,11,12	13,12,15,14,9,8,11,10,5,4,7,6,1,0,3,2
1	1	1	0	14,15,0,1,2,3,4,5,6,7,8,9,10,11,12,13	14,15,12,13,10,11,8,9,6,7,4,5,2,3,0,1
1	1	1	1	15,0,1,2,3,4,5,6,7,8,9,10,11,12,13,14	15,14,13,12,11,10,9,8,7,6,5,4,3,2,1,0

## 4.6 Read / Write Operation

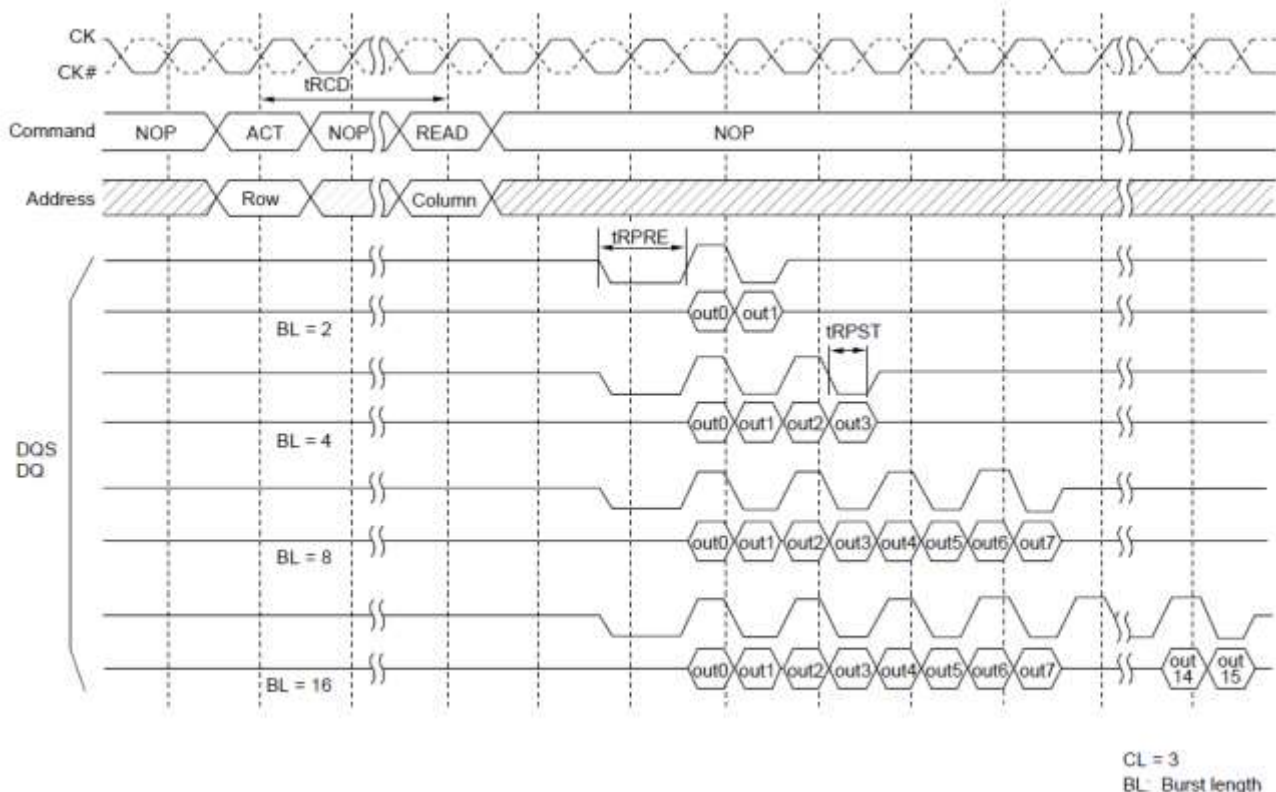
### Bank Active

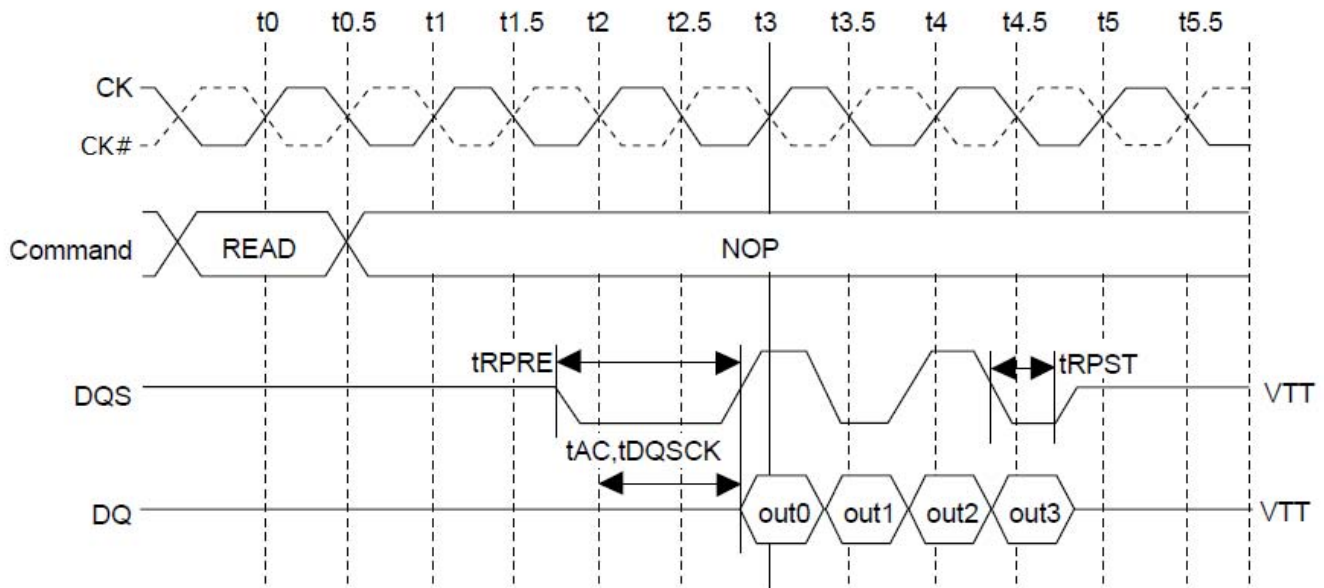
A read or a write operation begins with the bank active command [ACT]. The bank active command determines a bank address and a row address. For the bank and the row, a read or a write command can be issued  $t_{RCD}$  after the ACT is issued.

### Read operation

The burst length (BL), the CAS# latency (CL) and the burst type (BT) of the mode register are referred when a read command is issued. The burst length (BL) determines the length of a sequential output data by the read command that can be set to 2, 4, 8 or 16. The starting address of the burst read is defined by the column address, the bank select address (See 2.4 Pin Description) in the cycle when the read command is latched. The data output timing is characterized by CL and  $t_{AC}$ . The read burst start  $(CL-1) \times t_{CK} + t_{AC}$  (ns) after the clock rising edge where the read command is latched. The DDR Mobile RAM outputs the data strobe through DQS pins simultaneously with data.  $t_{RPRE}$  prior to the first rising edge of the data strobe, the DQS pins are driven low from high-Z state. This low period of DQS is referred as read preamble. The burst data are output coincidentally at both the rising and falling edge of the data strobe. The DQ pins become high-Z in the next cycle after the burst read operation completed.  $t_{RPST}$  from the last falling edge of the data strobe, the DQS pins become high-Z. This low period of DQS is referred as read postamble.

**Figure 4.4 Read Operation (Burst Length)**



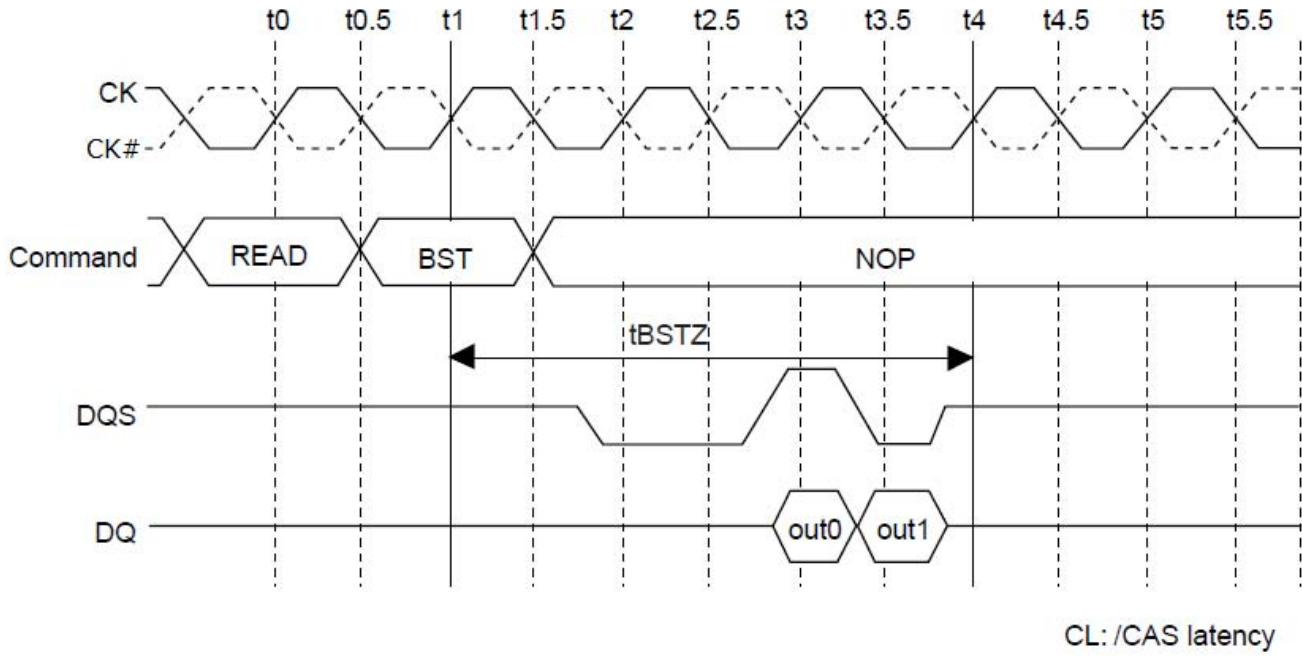
**Figure 4.4 Read Operation (CAS# Length)**

**Burst stop command during burst operation**

The burst stop (BST) command stops the burst read and sets all output buffers to high-Z.  $t_{BSTZ}$  (= CL) cycles after a BST command issued, all DQ and DQS pins become high-Z.

The BST command is also supported for the burst write operation. No data will be written in subsequent cycles.

Note that bank address is not referred when this command is executed.

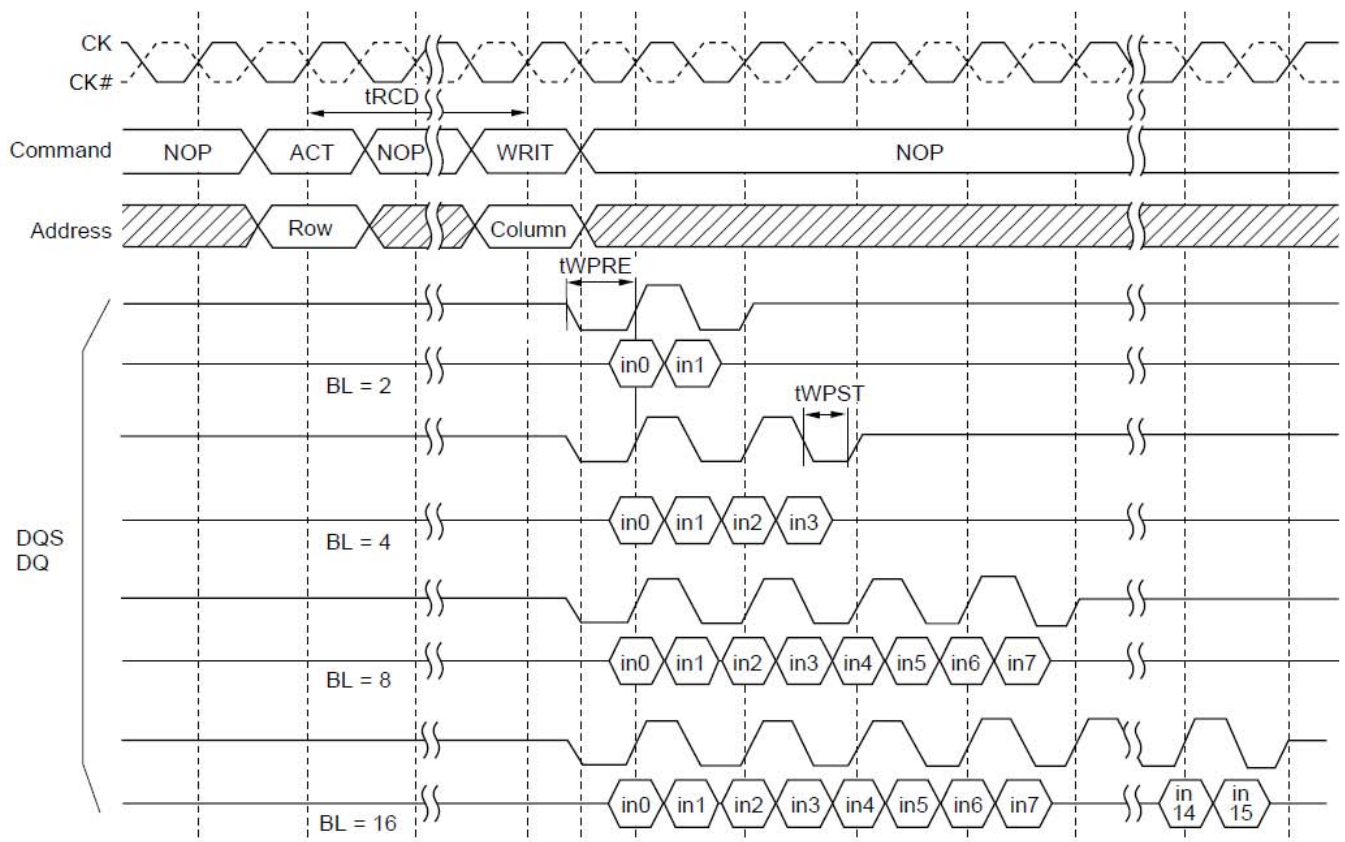
**Figure 4.5 Burst Stop during a Read Operation**



## Write operation

The burst length (BL) and the burst type (BT) of the mode register are referred when a write command is issued. The burst length (BL) determines the length of a sequential data input by the write command that can be set to 2, 4, 8 or 16. The latency from write command to data input is fixed to 1. The starting address of the burst write is defined by the column address, the bank select address (See 2.4 Pin Description) in the cycle when the write command is issued. DQS should be input as the strobe for the input-data and DM as well during burst operation.  $t_{WPRE}$  prior to the first rising edge of DQS, DQS must be set to low.  $t_{WPST}$  after the last falling edge of DQS, the DQS pins can be changed to high-Z. The leading low period of DQS is referred as write preamble. The last low period of DQS is referred as write post-amble.

**Figure 4.6 Write Operation**

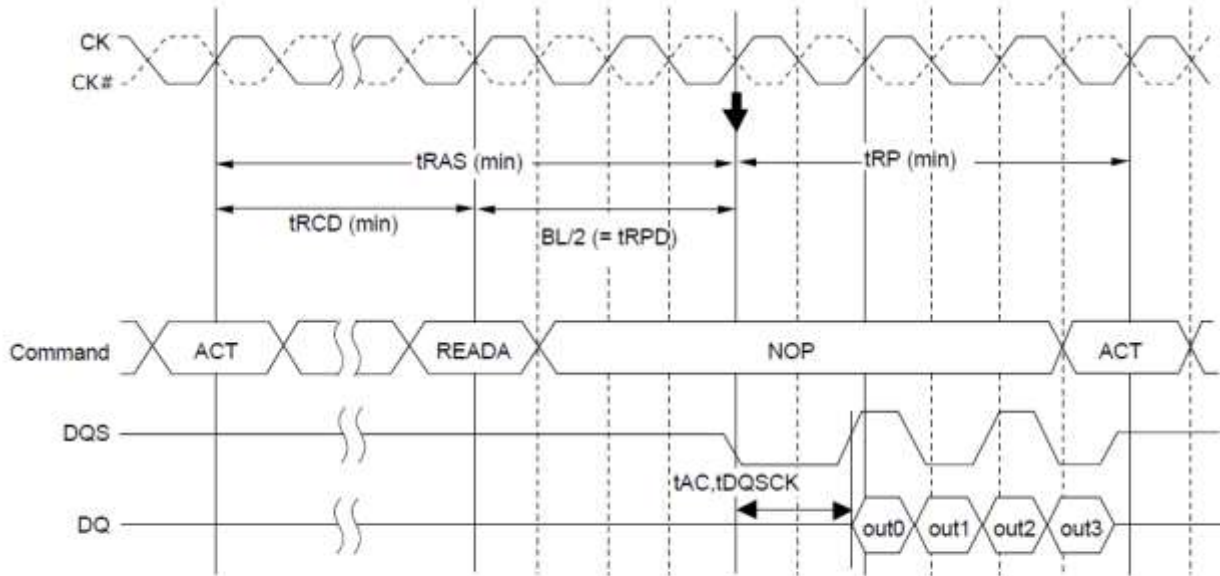


BL: Burst length

**Read with auto precharge**

The precharge is automatically performed after completing a read operation. The precharge starts BL/2 (= tRPD) clocks after READA command input. tRAS lock out mechanism for READA allows a read command with auto precharge to be issued to a bank that has been activated (opened) but has not yet satisfied the tRAS (min) specification. A column command to the other active bank can be issued the next cycle after the last data output.

Read with auto precharge command does not limit row commands execution for other bank.

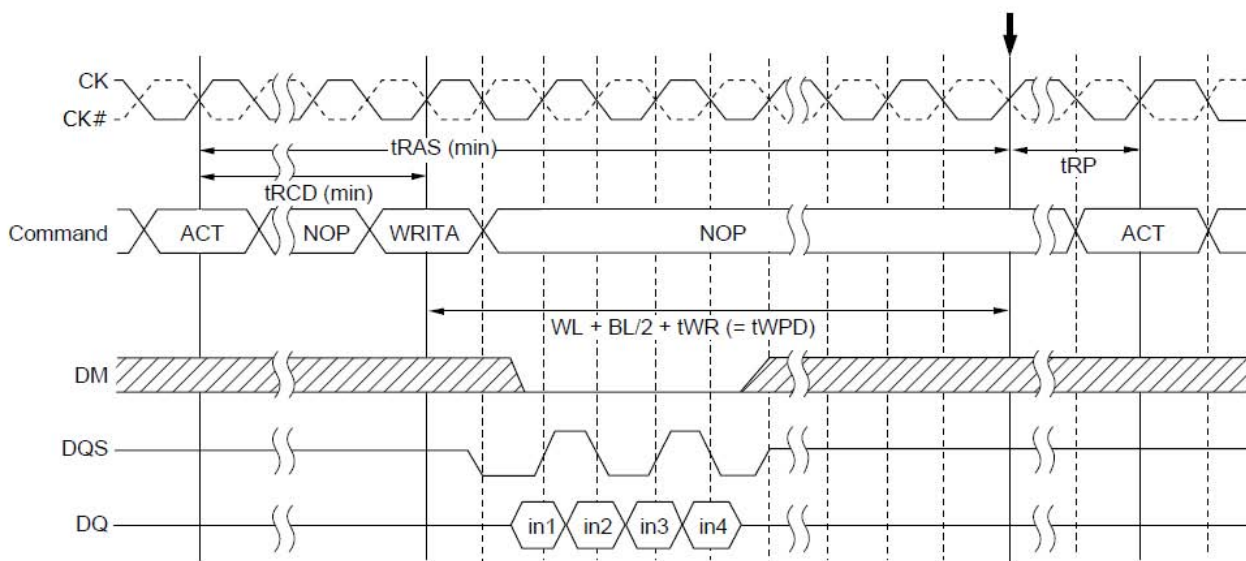
**Figure 4.7 Read with auto precharge**


Note: Internal auto-precharge starts at the timing indicated by "↓".

### Write with auto precharge

The precharge is automatically performed after completing a burst write operation. The precharge operation is started Write latency (WL) + BL/2 + tWR (= tWPD) clocks after WRITA command issued. A column command to the other banks can be issued the next cycle after the internal precharge command issued.

Write with auto precharge command does not limit row commands execution for other bank.

**Figure 4.8 Burst Write (BL = 4)**


Note: Internal auto-precharge starts at the timing indicated by "↓".

BL = 4

## The Concurrent Auto Precharge

The DDR Mobile RAM supports the concurrent auto precharge feature, a read with auto precharge or a write with auto precharge, can be followed by any command to the other banks, as long as that command does not interrupt the read or write data transfer, and all other related limitations apply (e.g. contention between READ data and WRITE data must be avoided.) The minimum delay from a read or write command with auto precharge, to a command to a different bank, is summarized below.

**Table 4.5 The minimum delay from a read or write command with auto precharge**

From Command	To command (different bank, non-interrupting command)	Minimum delay (Concurrent AP supported)	Unit
Read with Auto Precharge	Read or Read w/AP	$BL / 2$	tCK
	Write or Write w/AP	$CL \text{ (rounded up)} + (BL/2)$	
	Precharge or Activate	1	
Write with Auto Precharge	Read or Read w/AP	$1 + (BL/2) + tWTR$	
	Write or Write w/AP	$BL / 2$	
	Precharge or Activate	1	



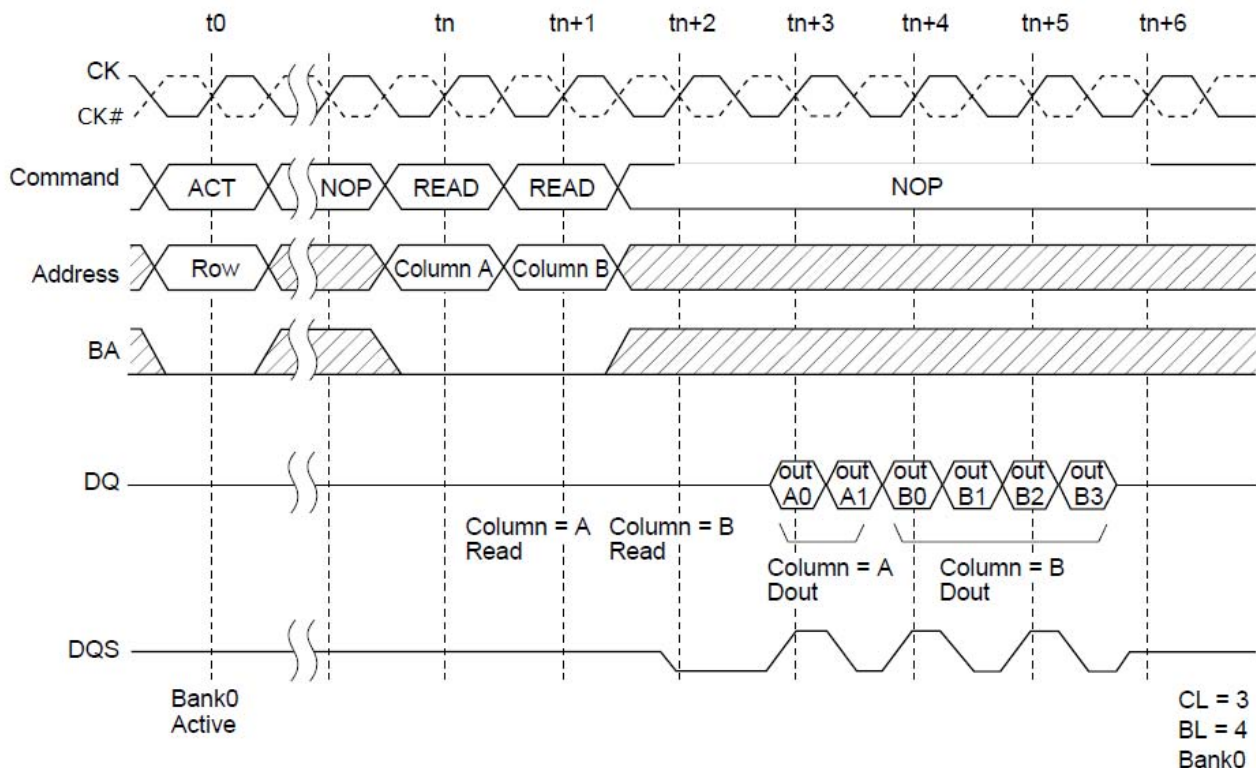
## 4.7 Command Intervals

### 4.7.1 Read command to the consecutive Read command Interval

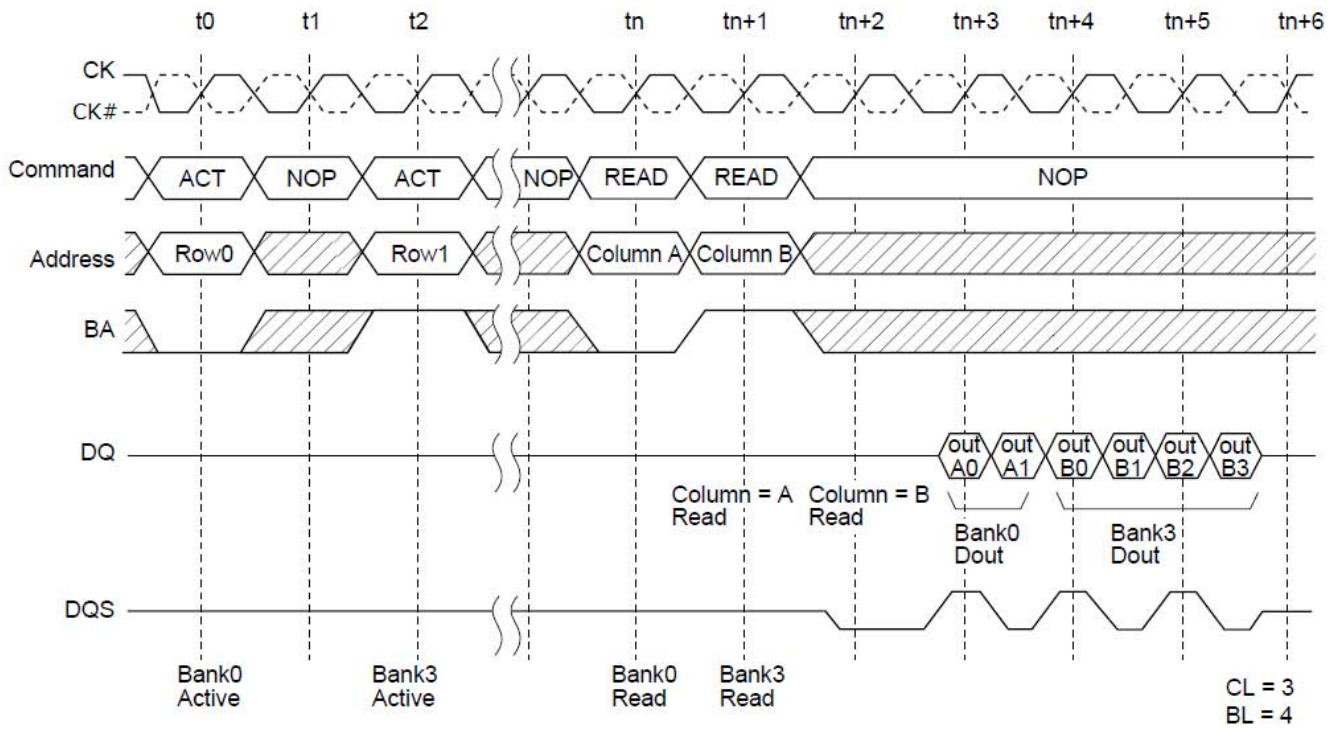
**Table 4.6 A Read command to the consecutive Read command Interval**

	Destination row of the consecutive read command			Operation
	Bank address	Row address	State	
1	Same	Same	ACTIVE	The consecutive read can be performed after an interval of no less than 1 cycle to interrupt the preceding read operation.
2	Same	Different	-	Precharge the bank to interrupt the preceding read operation. tRP after the precharge command, issue the ACT command. tRCD after the ACT command, the consecutive read command can be issued. See 'A read command to the consecutive precharge interval' section.
3	Different	Any	ACTIVE	The consecutive read can be performed after an interval of no less than 1 cycle to interrupt the preceding read operation.
			IDLE	Precharge the bank without interrupting the preceding read operation. tRP after the precharge command, issue the ACT command. tRCD after the ACT command, the consecutive read command can be issued.

**Figure 4.9 READ to READ Command Interval (same ROW address in the same bank)**



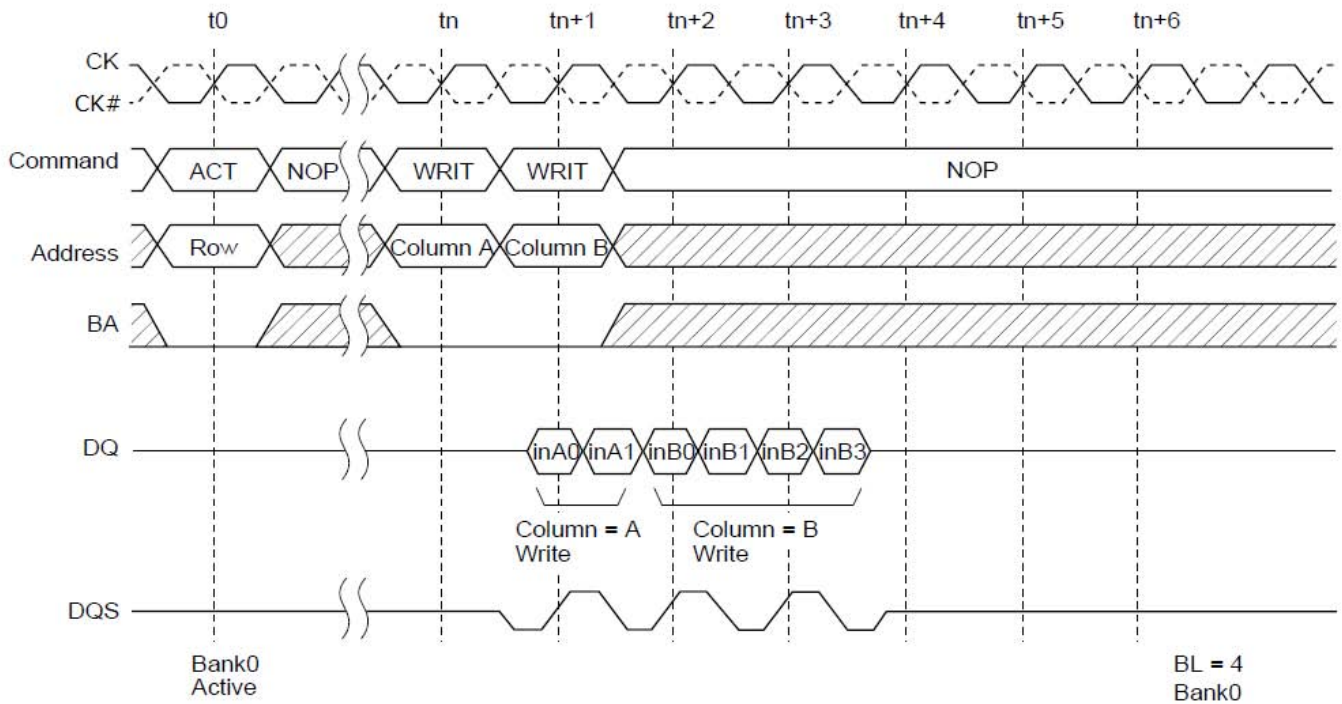
**Figure 4.10 READ to READ Command Interval (different bank)**



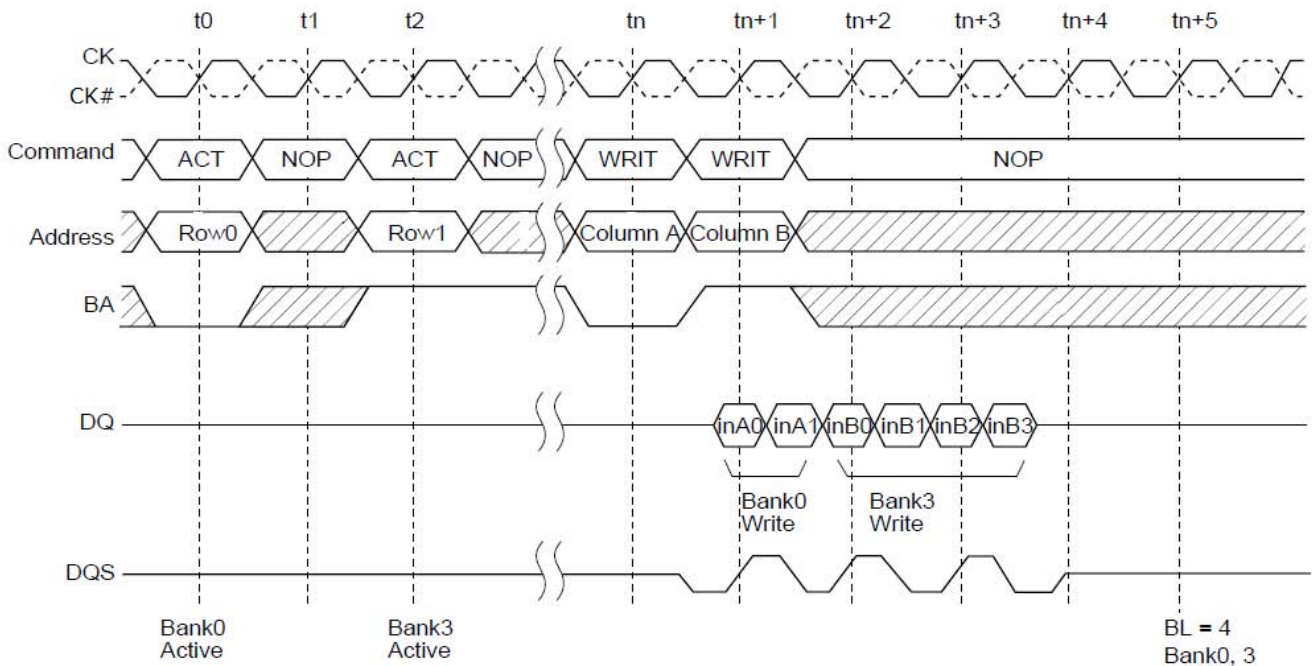
**4.7.2 A Write command to the consecutive Write command Interval**
**Table 4.7 A Write command to the consecutive Write command Interval**

	Destination row of the consecutive write command			Operation
	Bank address	Row address	State	
1	Same	Same	ACTIVE	The consecutive write can be performed after an interval of no less than 1 cycle to interrupt the preceding write operation.
2	Same	Different	-	Precharge the bank to interrupt the preceding write operation. tRP after the precharge command, issue the ACT command. tRCD after the ACT command, the consecutive write command can be issued. See 'A write command to the consecutive precharge interval' section.
3	Different	Any	ACTIVE	The consecutive write can be performed after an interval of no less than 1 cycle to interrupt the preceding write operation.
			IDLE	Precharge the bank without interrupting the preceding write operation. tRP after the precharge command, issue the ACT command. tRCD after the ACT command, the consecutive write command can be issued.

**Figure 4.11 WRITE to WRITE Command Interval (same ROW address in the same bank)**



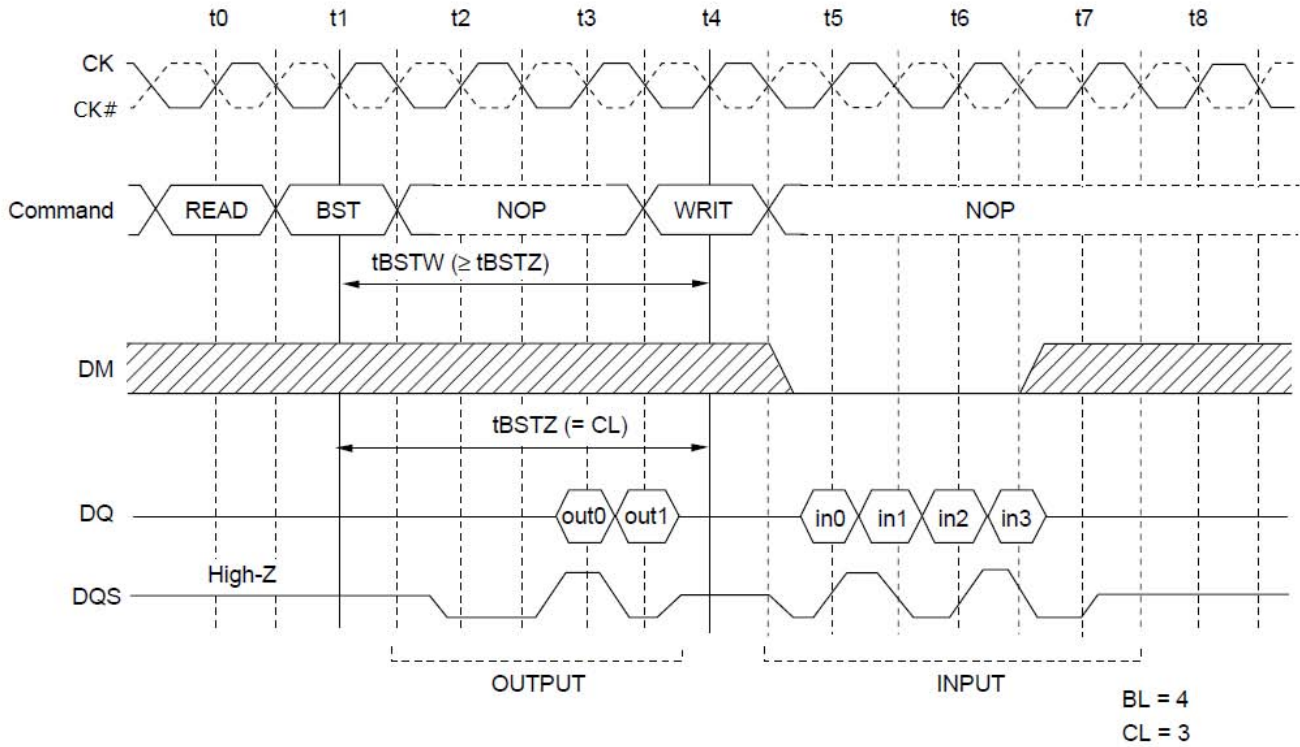
**Figure 4.12 WRITE to WRITE Command Interval (different bank)**



**4.7.3 A Read command to the consecutive Write command interval with BST command**
**Table 4.8 A Read command to the consecutive Write command interval with BST command**

	Destination row of the consecutive write command			Operation
	Bank address	Row address	State	
1	Same	Same	ACTIVE	Issue the BST command. $t_{BSTW} (\geq t_{BSTZ})$ after the BST command, the consecutive write command can be issued.
2	Same	Different	-	Precharge the bank to interrupt the preceding read operation. $t_{RP}$ after the precharge command, issue the ACT command. $t_{RCD}$ after the ACT command, the consecutive write command can be issued. See 'A read command to the consecutive precharge interval' section.
3	Different	Any	ACTIVE	Issue the BST command. $t_{BSTW} (\geq t_{BSTZ})$ after the BST command, the consecutive write command can be issued.
			IDLE	Precharge the bank independently of the preceding read operation. $t_{RP}$ after the precharge command, issue the ACT command. $t_{RCD}$ after the ACT command, the consecutive write command can be issued.

**Figure 4.13 READ to WRITE Command Interval**

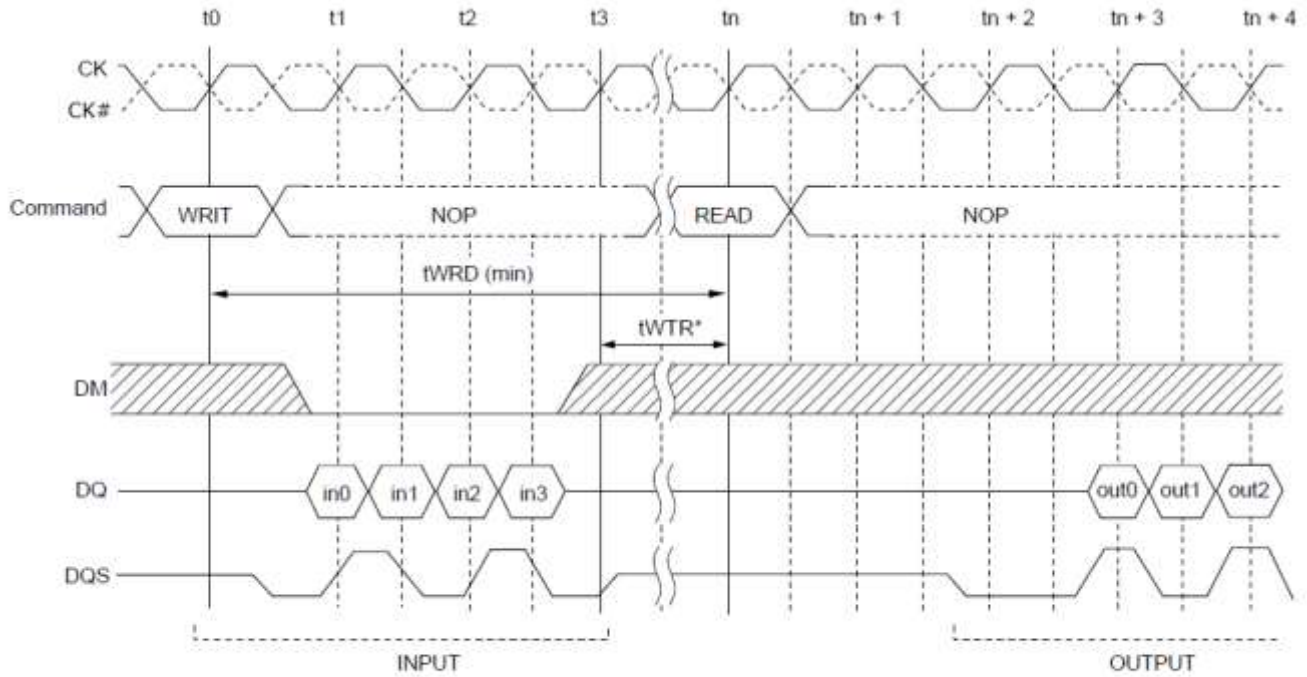


**4.7.4 A Write command to the consecutive Read command interval :**  
**To complete the burst operation**

**Table 4.9 A Write command to the consecutive Read command interval :**  
**To complete the burst operation**

	Destination row of the consecutive read command			Operation
	Bank address	Row address	State	
1	Same	Same	ACTIVE	To complete the burst operation, the consecutive read command should be performed tWRD after the write command.
2	Same	Different	-	Precharge the bank tWPD after the preceding write command. tRP after the precharge command, issue the ACT command. tRCD after the ACT command, the consecutive read command can be issued. See ' <b>A</b> read command to the consecutive precharge interval' section.
3	Different	Any	ACTIVE	To complete a burst operation, the consecutive read command should be performed tWRD after the write command.
			IDLE	Precharge the bank independently of the preceding write operation. tRP after the precharge command, issue the ACT command. tRCD after the ACT command, the consecutive read command can be issued.

**Figure 4.14 WRITE to READ Command Interval**



Note:  $t_{WTR}$  is referenced from the first positive CK edge after the last desired data in pair  $t_{WTR}$ .

BL = 4  
CL = 3



### 4.7.5 A Write command to the consecutive Read command interval : To interrupt the write operation

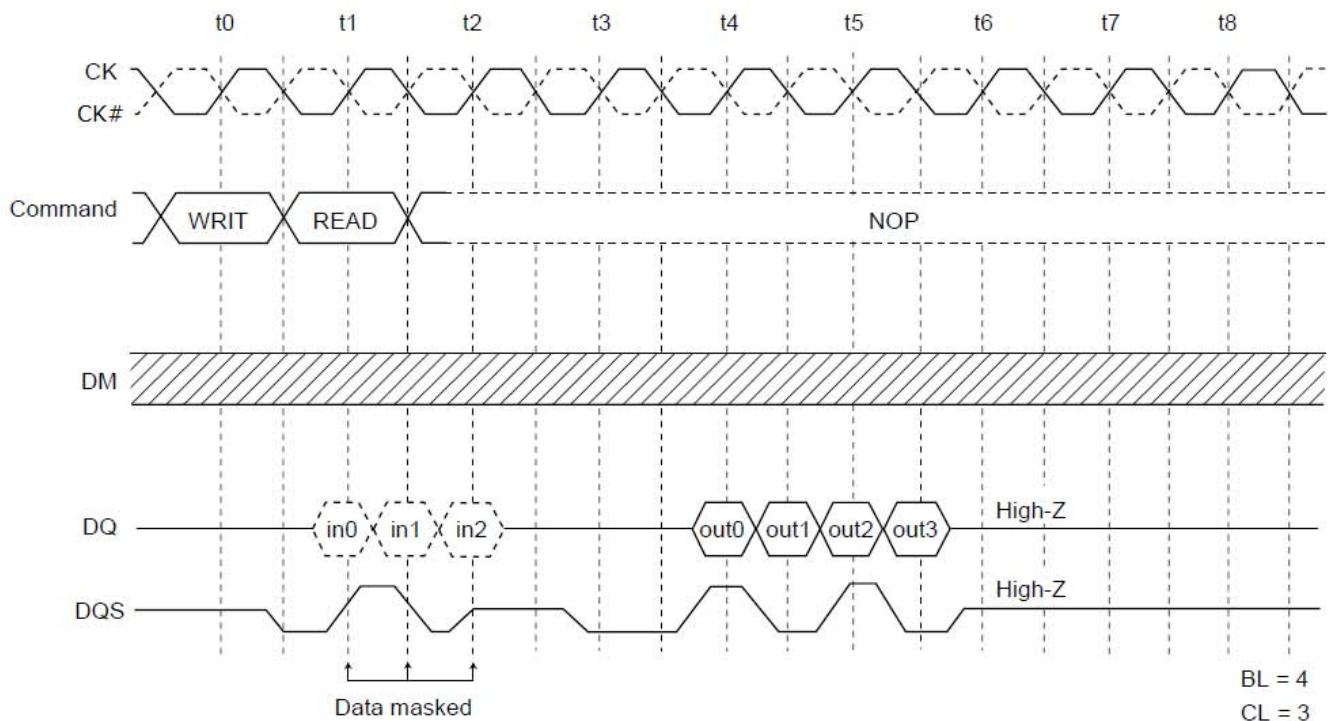
**Table 4.10 A Write command to the consecutive Read command interval :  
To interrupt the write operation**

	Destination row of the consecutive read command			Operation
	Bank address	Row address	State	
1	Same	Same	ACTIVE	DM must be input 1 cycle prior to the read command input to prevent from being written invalid data. In case, the read command is input in the next cycle of the write command, DM is not necessary.
2	Same	Different	-	Note 1
3	Different	Any	ACTIVE	DM must be input 1 cycle prior to the read command input to prevent from being written invalid data. In case, the read command is input in the next cycle of the write command, DM is not necessary.
			IDLE	Note 1

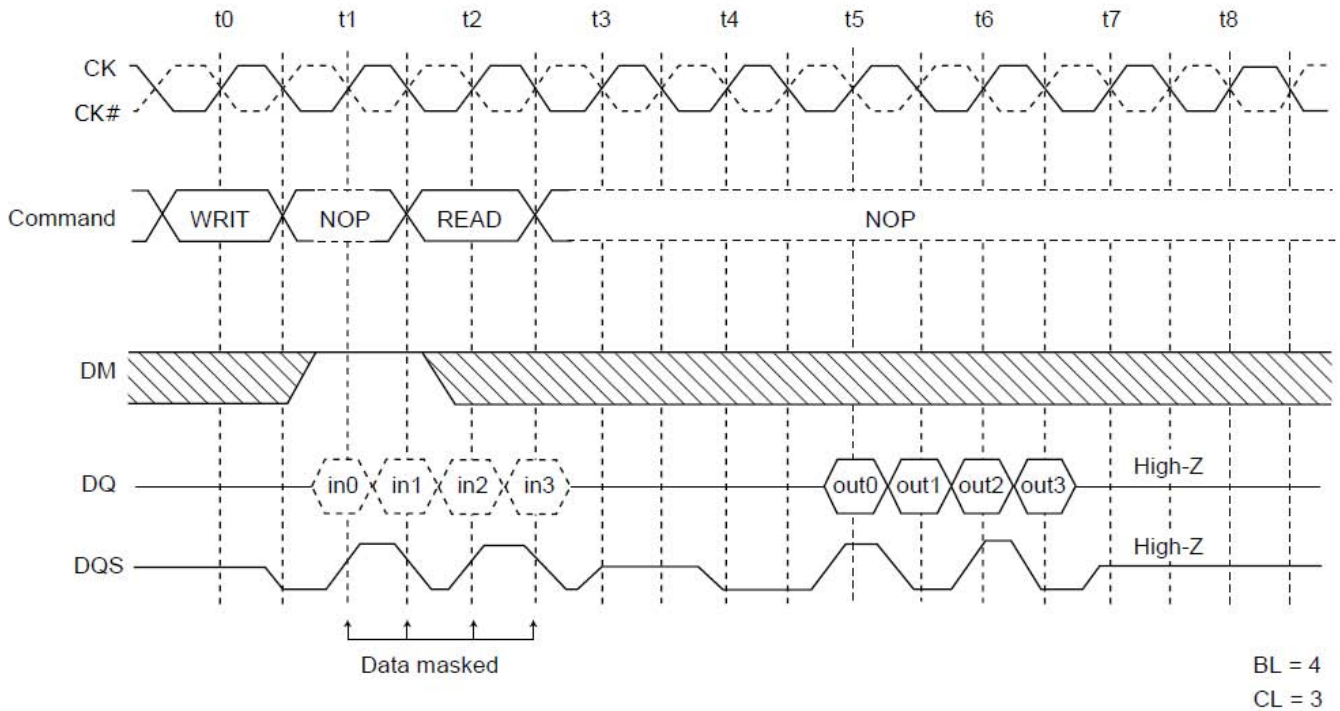
Note :

1. Precharge must be preceded to read command. Therefore read command cannot interrupt the write operation in this case.

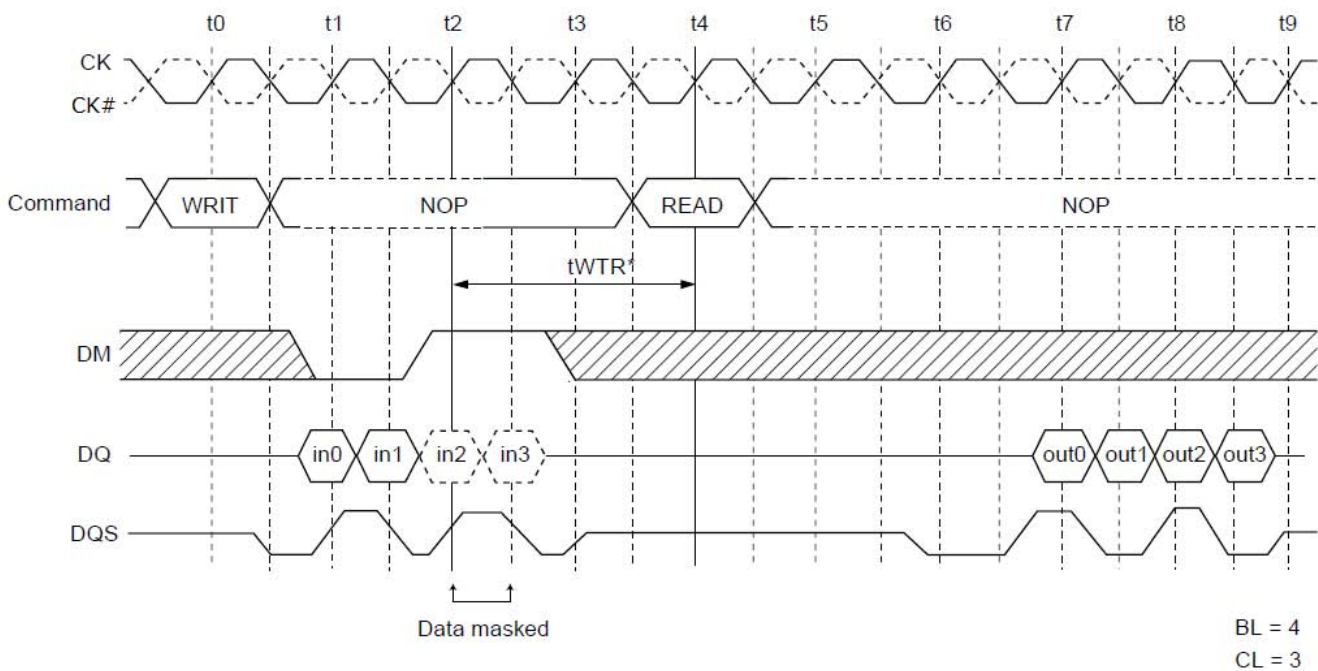
**Figure 4.15 WRITE to READ Command Interval (same bank, same ROW address)  
[WRITE to READ delay = 1 clock cycle]**



**Figure 4.16 WRITE to READ Command Interval (same bank, same ROW address)  
[WRITE to READ delay = 2 clock cycle]**



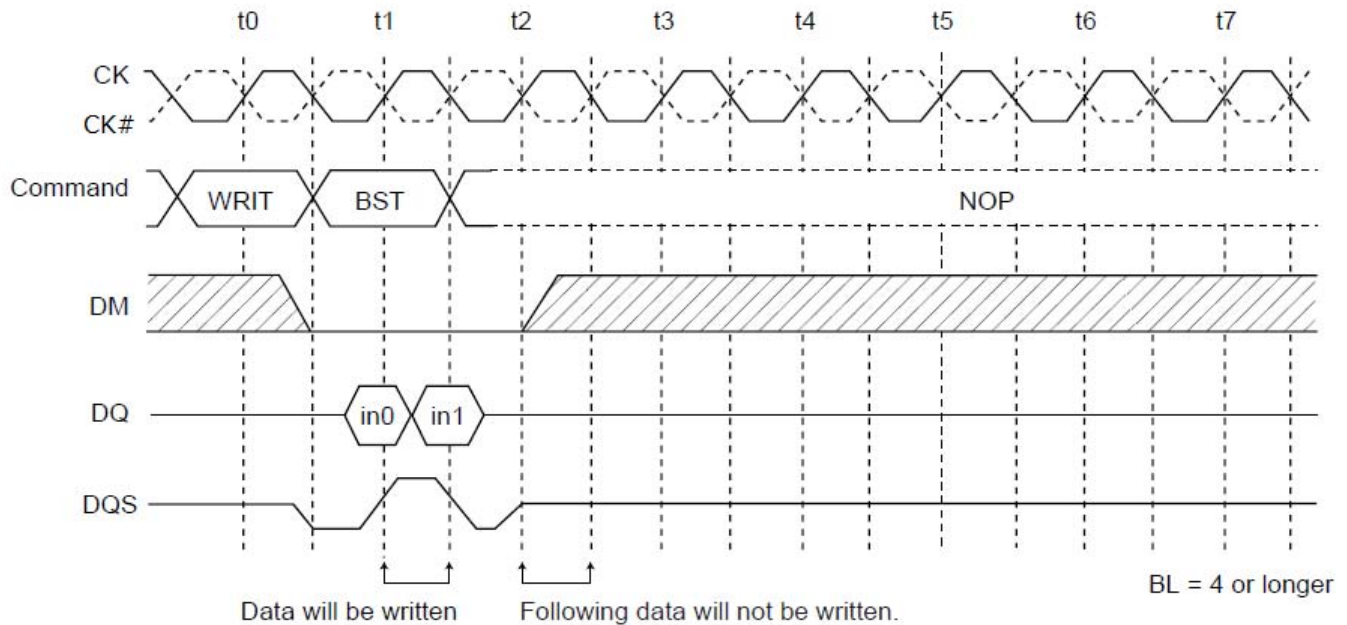
**Figure 4.17 WRITE to READ Command Interval (same bank, same ROW address)  
[WRITE to READ delay = 4 clock cycle]**



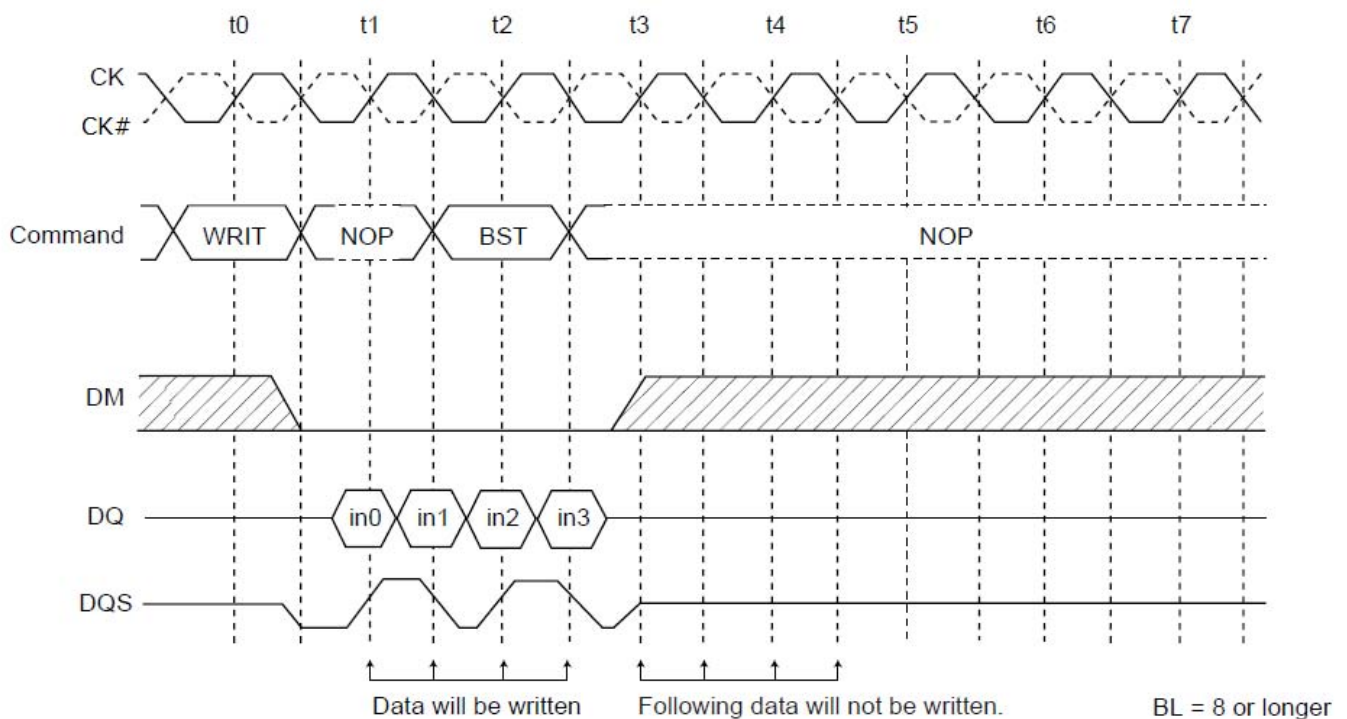
Note : tWTR is referenced from the first positive CK edge after the last desired data in pair tWTR.

**4.7.6 A Write command to the Burst stop command interval :**  
**To interrupt the write operation**

**Figure 4.18 WRITE to BST Command Interval (same bank, same ROW address)**  
**[WRITE to BST delay = 1 clock cycle]**



**Figure 4.19 WRITE to BST Command Interval (same bank, same ROW address)**  
**[WRITE to BST delay = 2 clock cycle]**

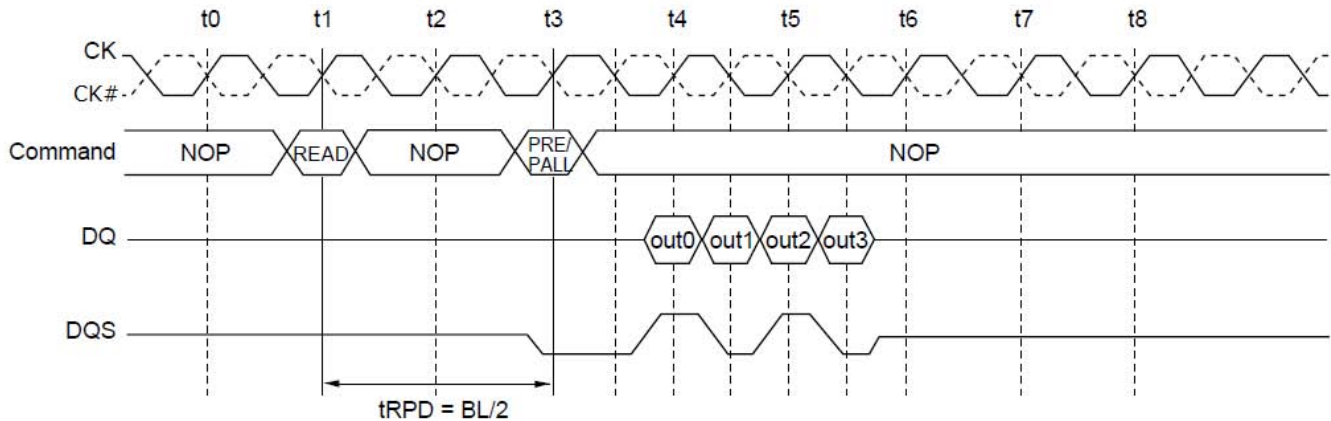




### READ to PRECHARGE Command Interval (same bank) : To output all data

To complete a burst read operation and get a burst length of data, the consecutive precharge command must be issued  $tRPD$  ( $= BL/2$  cycles) after the read command is issued.

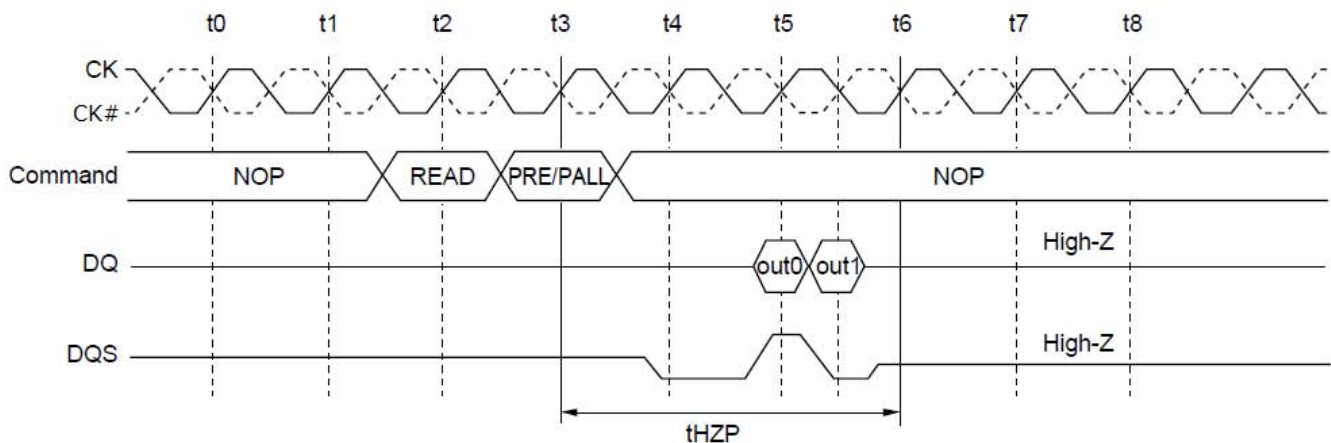
**Figure 4.21 READ to PRECHARGE Command Interval (same bank) :**  
**[To output all data (CL=3, BL=4)]**



### READ to PRECHARGE Command Interval (same bank): To stop output data

A burst data output can be interrupted with a precharge command. All DQ pins and DQS pins become high-Z  $tHZP$  ( $= CL$ ) after the precharge command.

**Figure 4.22 READ to PRECHARGE Command Interval (same bank) :**  
**[To stop output data (CL=3, BL=4, 8)]**



### 4.7.8 A Write command to the consecutive Precharge command interval (same bank)

Operation by each case of destination bank of the consecutive Precharge command.

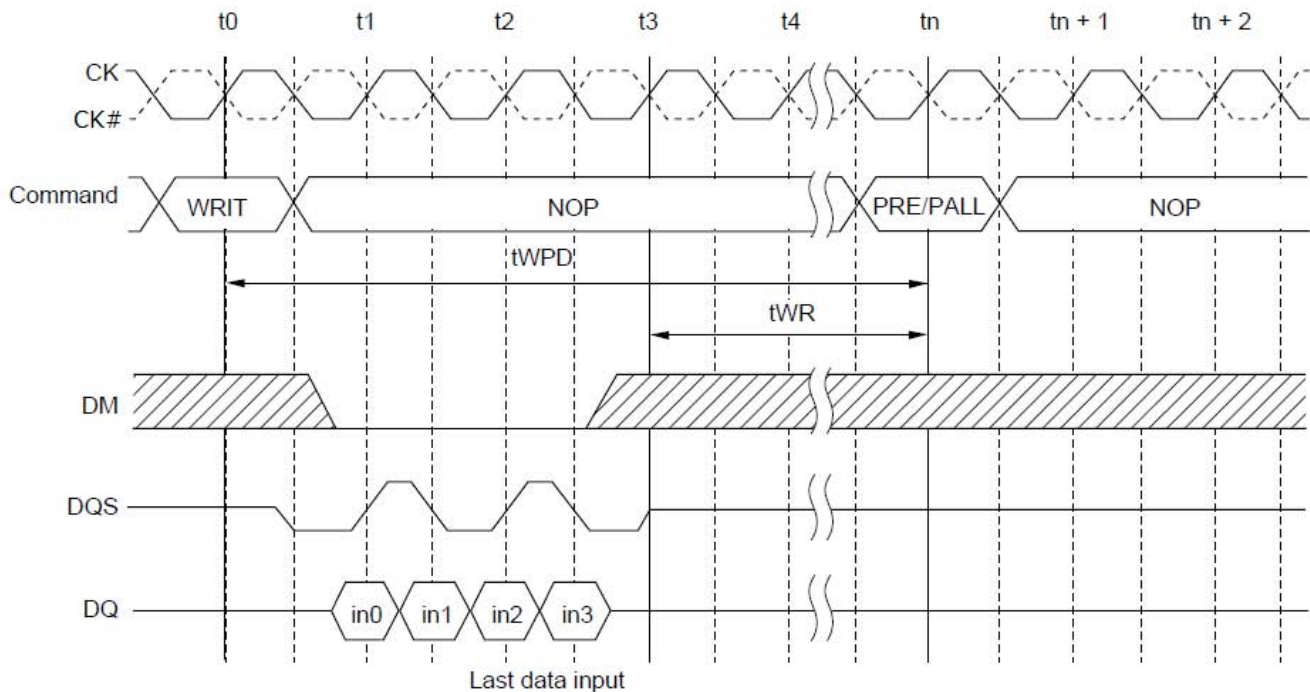
**Table 4.12 A Write command to the consecutive Precharge command interval (same bank)**

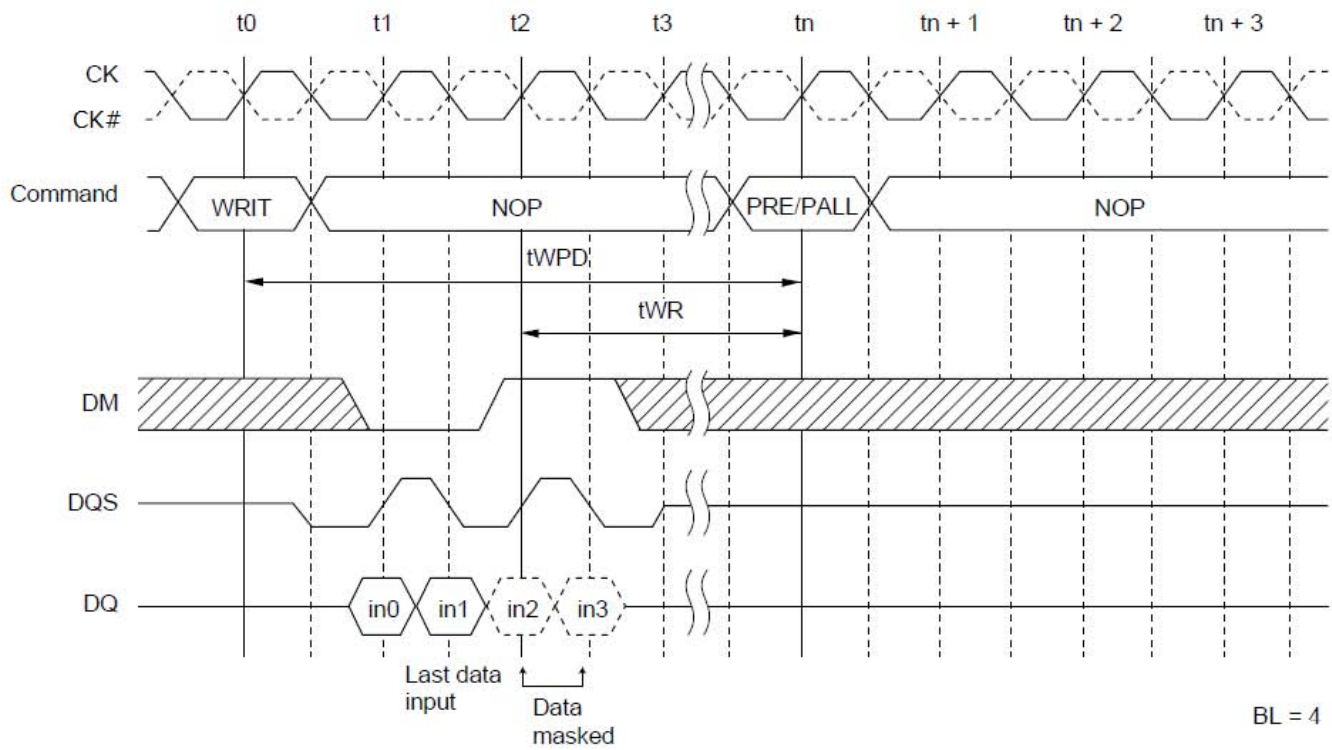
	Bank address	Operation
1	Same	The PRE and PALL command can interrupt a write operation. To complete a burst write operation, $t_{WPD}$ is required between the write and the precharge command. Please refer to the following timing chart.
2	Different	The PRE command does not interrupt a write command. No interval timing is required between the write and the precharge command.

### WRITE to PRECHARGE Command Interval (same bank)

The minimum interval  $t_{WPD}$  is necessary between the write command and the precharge command.

**Figure 4.23 WRITE to PRECHARGE Command Interval (same bank) : BL=4**

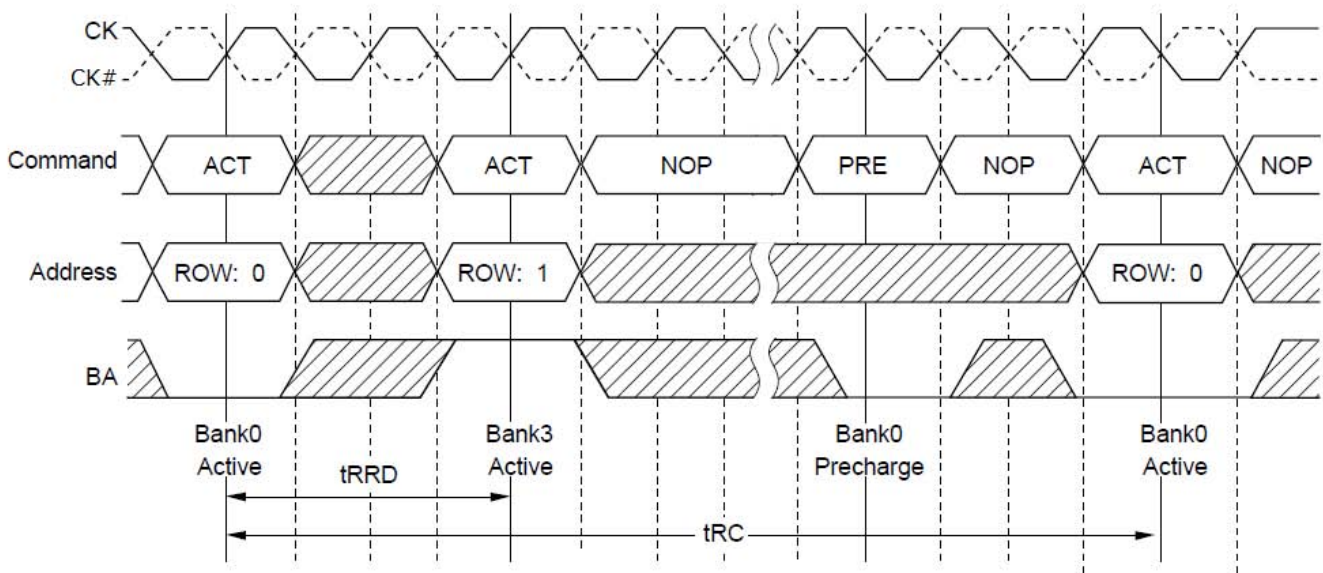


**Figure 4.24 WRITE to PRECHARGE Command Interval(same bank):BL=4, DM to mask data**


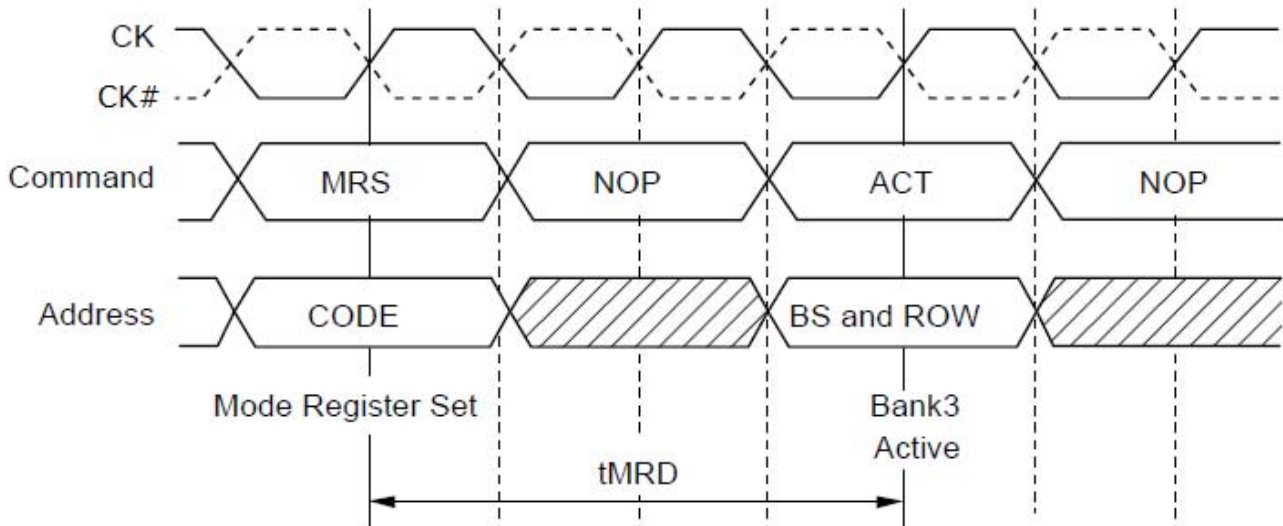
#### 4.7.9 Bank active command interval

**Table 4.13 Bank active command interval**

	Destination row of the consecutive ACT command			Operation
	Bank address	Row address	State	
1	Same	Any	ACTIVE	Two successive ACT commands can be issued at $t_{RC}$ interval. In between two successive ACT operations, precharge command should be executed.
2	Different	Any	ACTIVE	Precharge the bank. $t_{RP}$ after the precharge command, the consecutive ACT command can be issued.
			IDLE	$t_{RRD}$ after an ACT command, the next ACT command can be issued.

**Figure 4.25 Bank Active**

**Mode register set to Bank-active command interval**

The interval between setting the mode register and executing a bank-active command must be no less than tMRD.

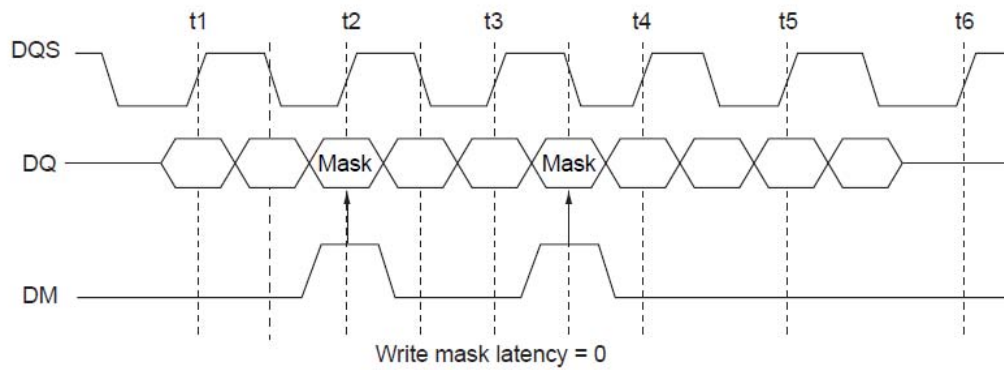
**Figure 4.26 Mode Register Set to Bank Active**




### 4.7.10 DM Control

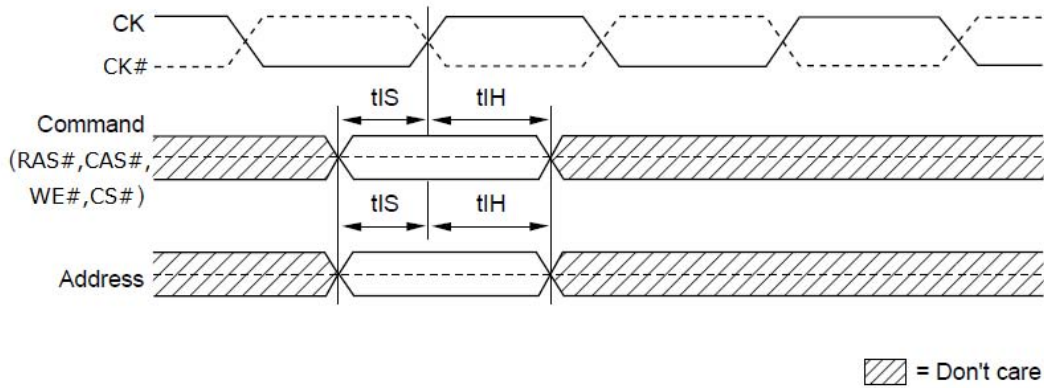
DM can mask input data. By setting DM to low, data can be written. UDM and LDM can mask the upper and lower byte of input data, respectively. When DM is set to high, the corresponding data is not written, and the previous data is held. The latency between DM input and enabling/disabling mask function is 0.

**Figure 4.27 DM Control**

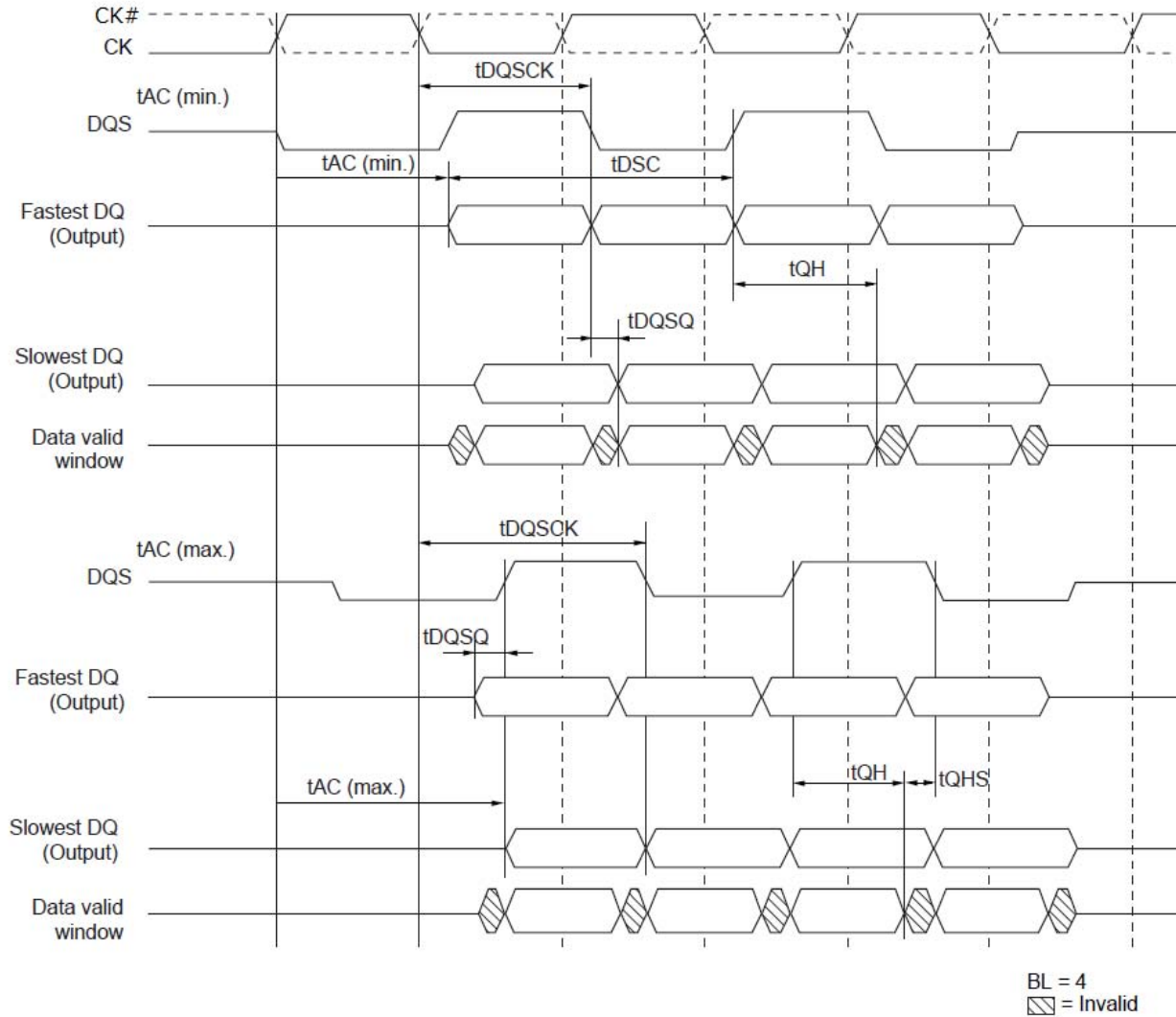


## 5. Timing Waveforms

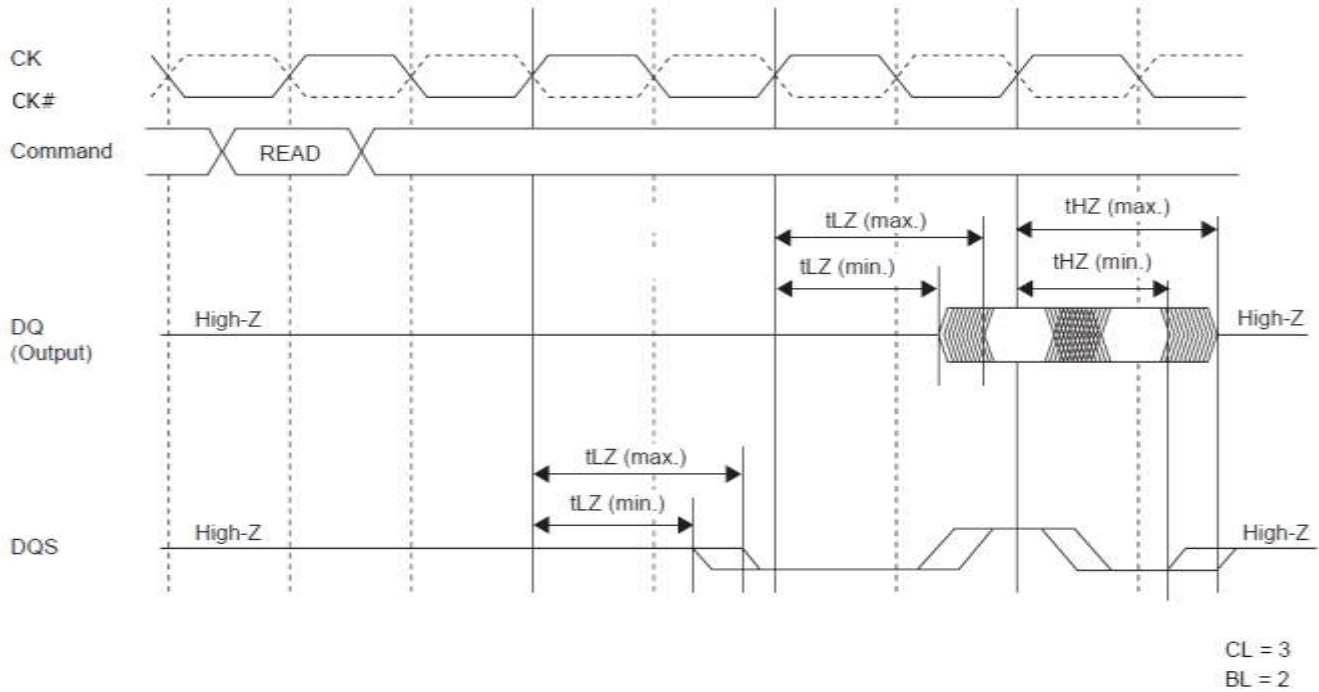
**Figure 5.1 Command and Address Input Timing Definition**



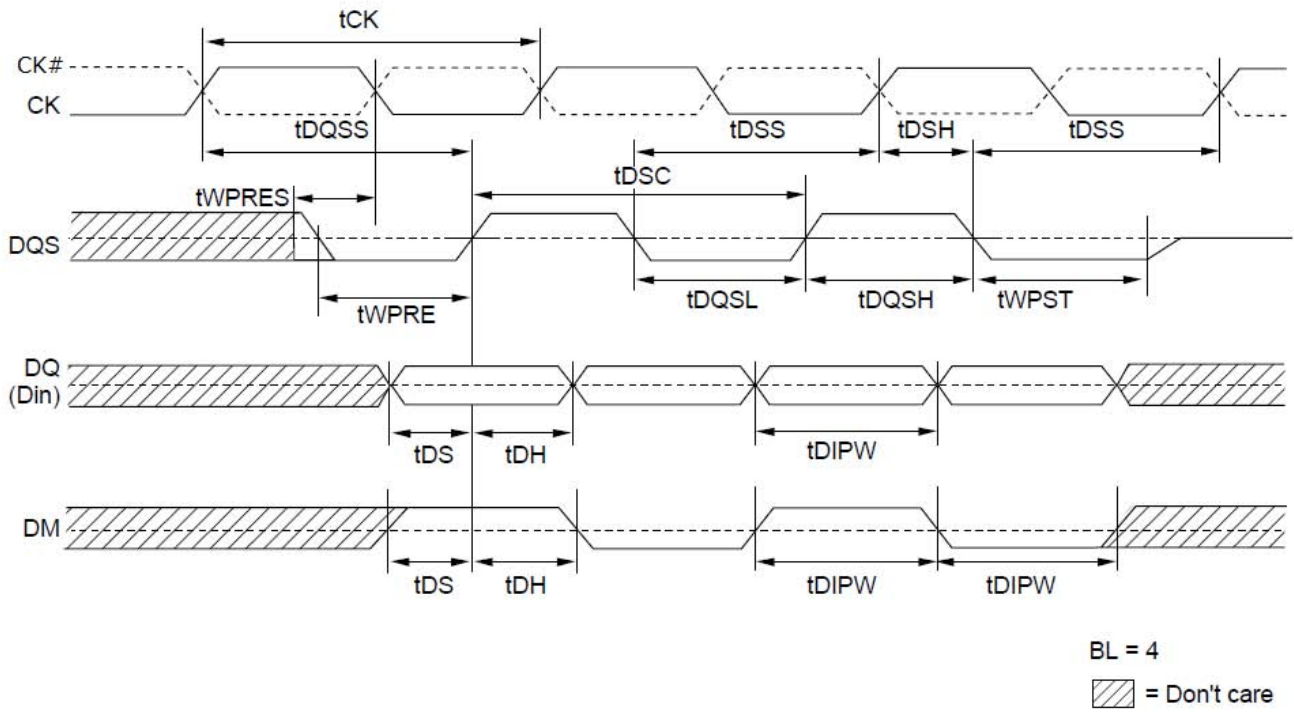
**Figure 5.2 Read Timing Definition - 1**



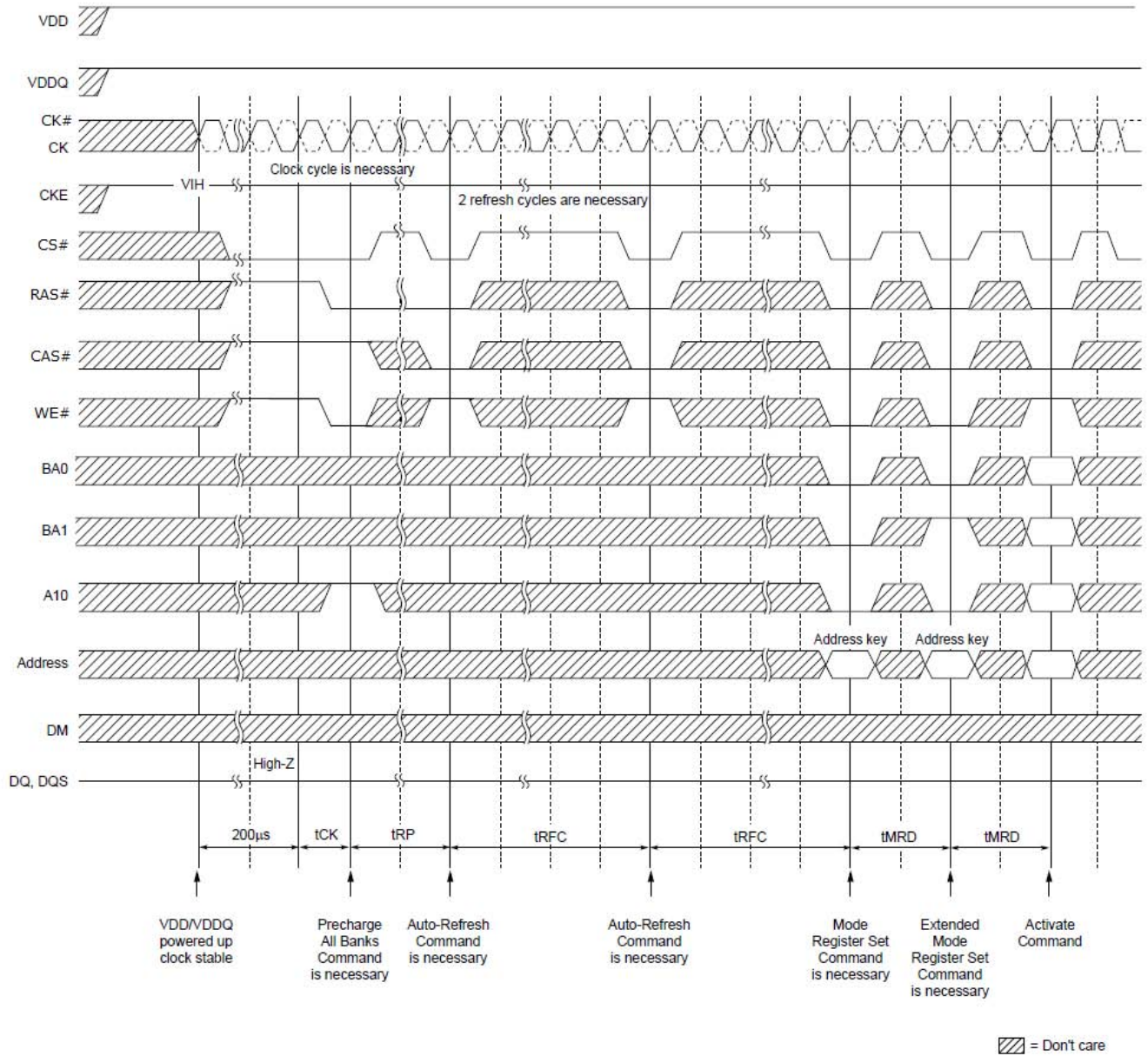
**Figure 5.2 Read Timing Definition – 2**



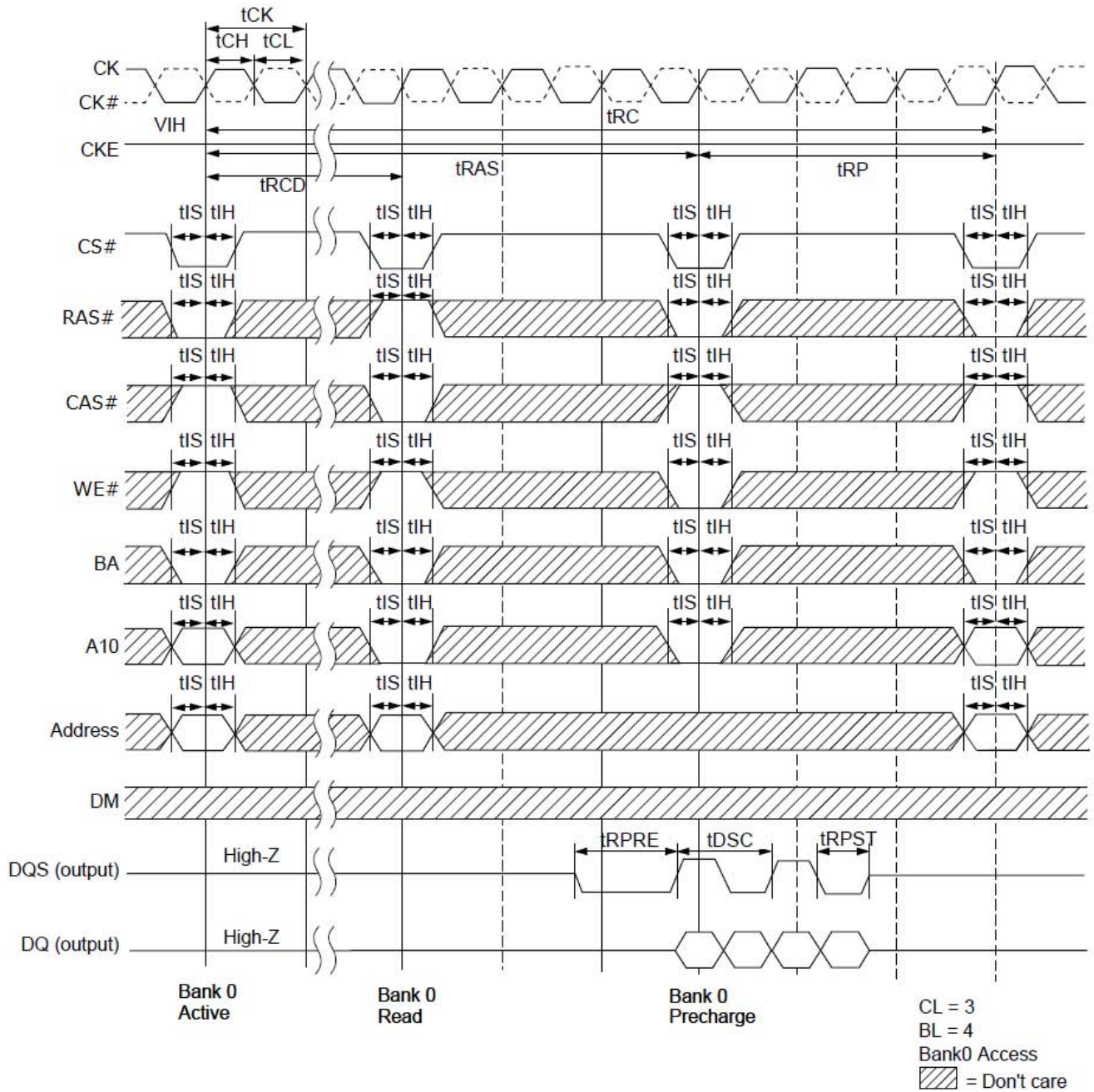
**Figure 5.3 Write Timing Definition**



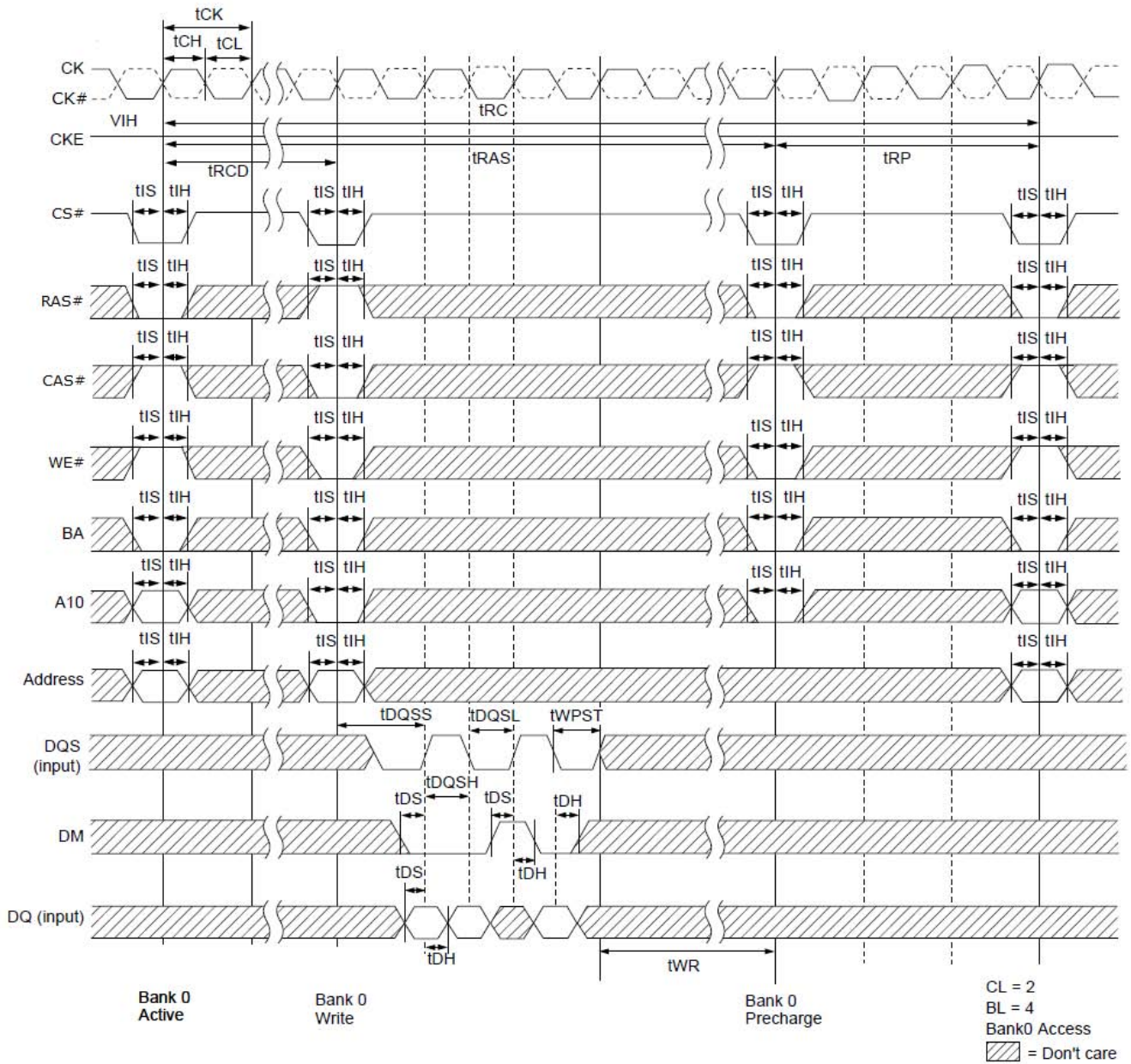
**Figure 5.4 Initialize Sequence**



**Figure 5.5 Read Cycle**

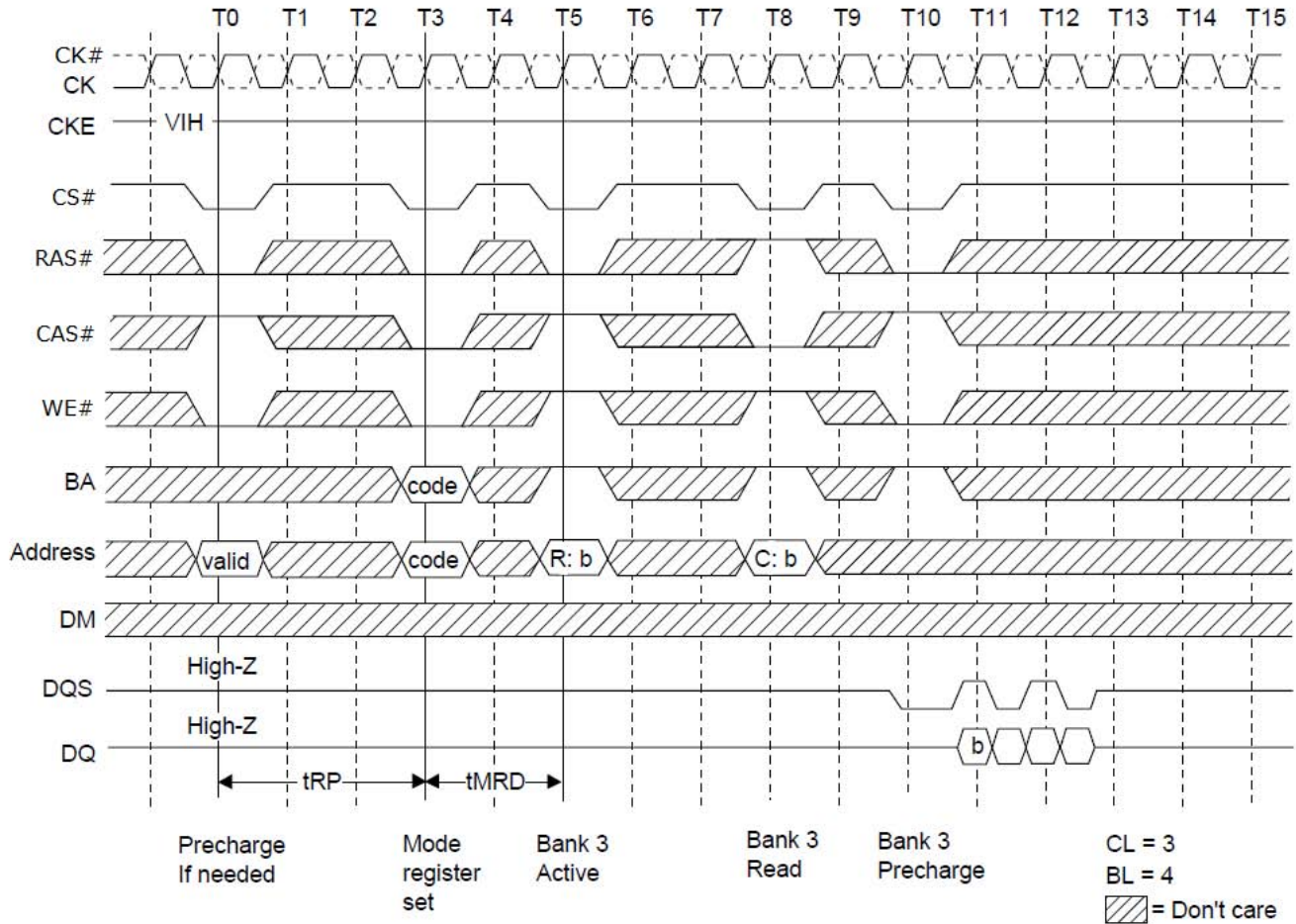


**Figure 5.6 Write Cycle**

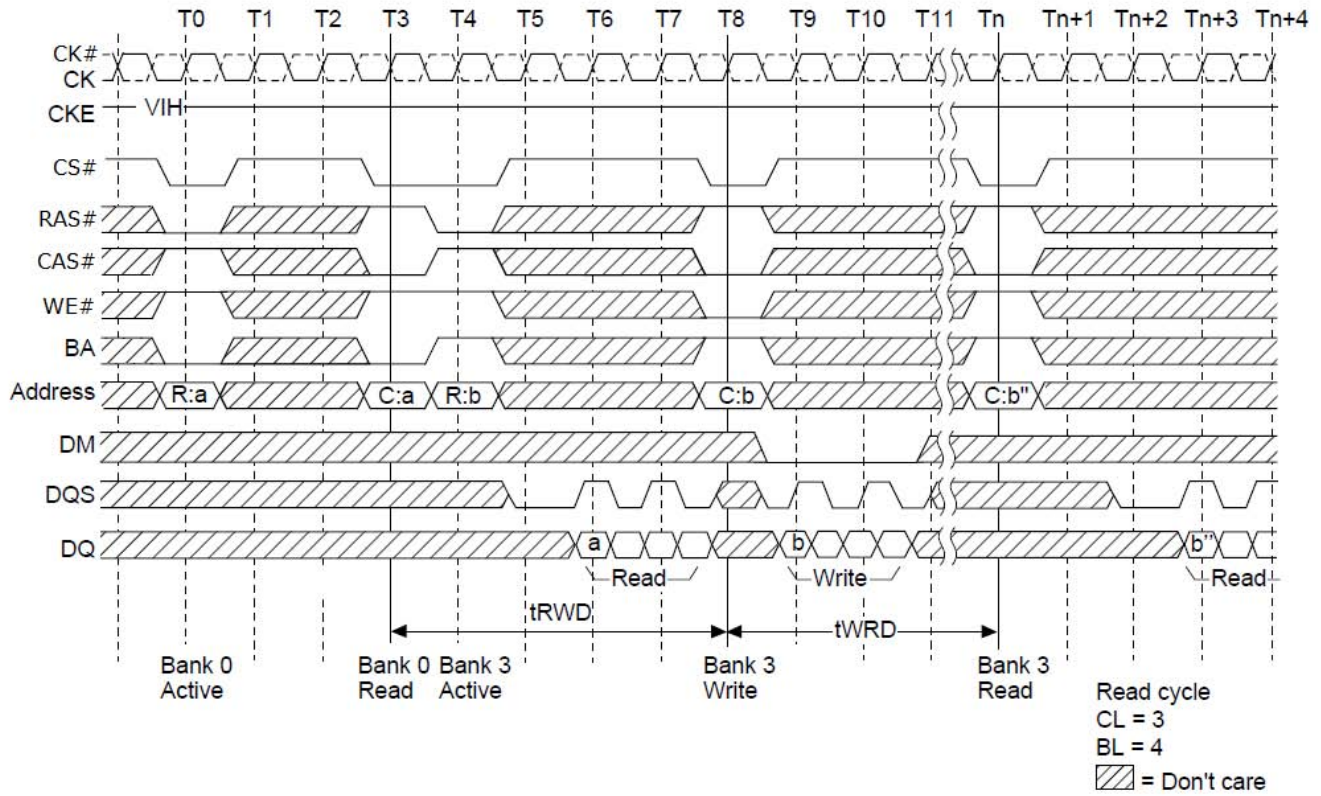




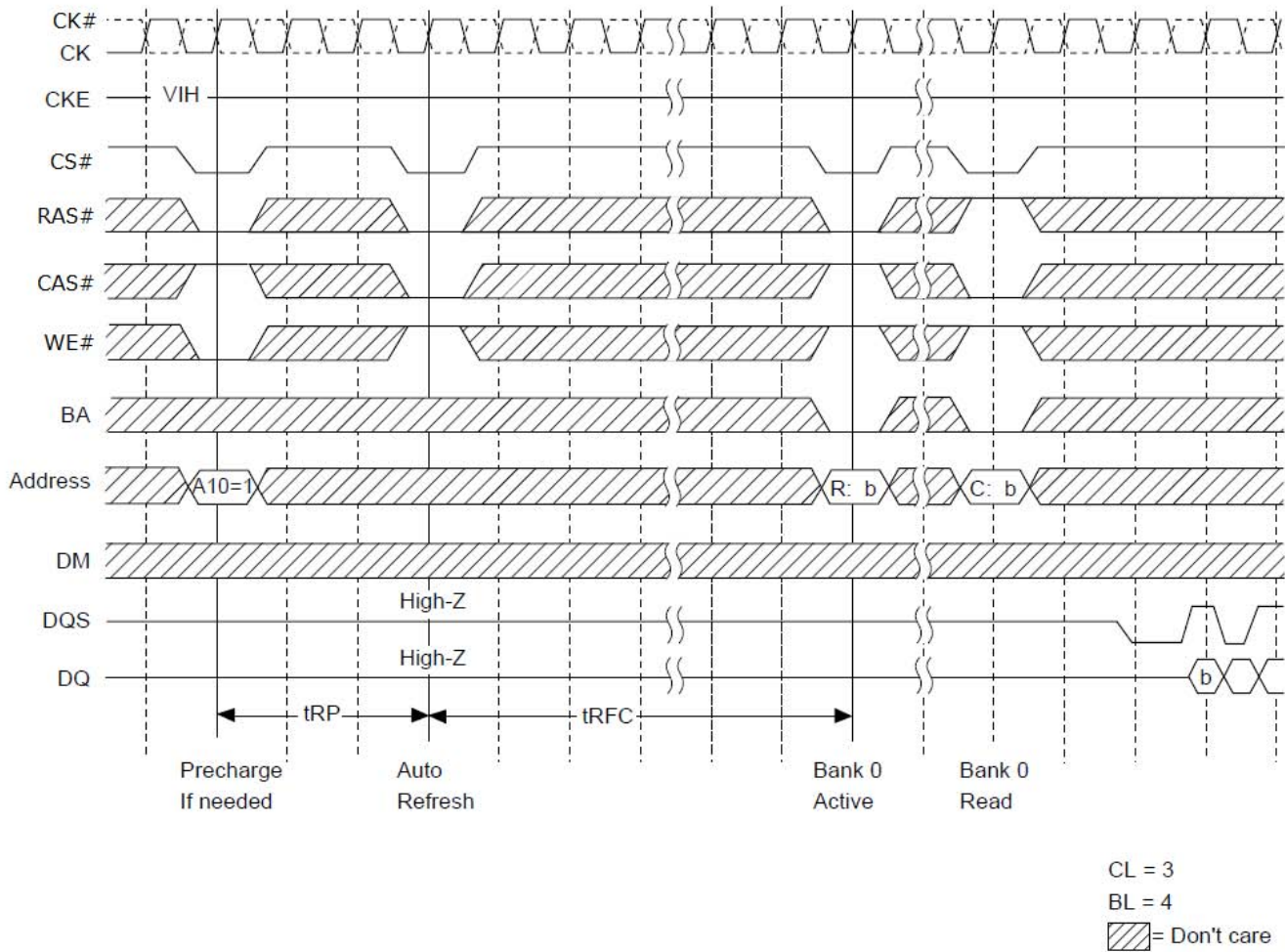
**Figure 5.7 Mode Register Set Cycle**



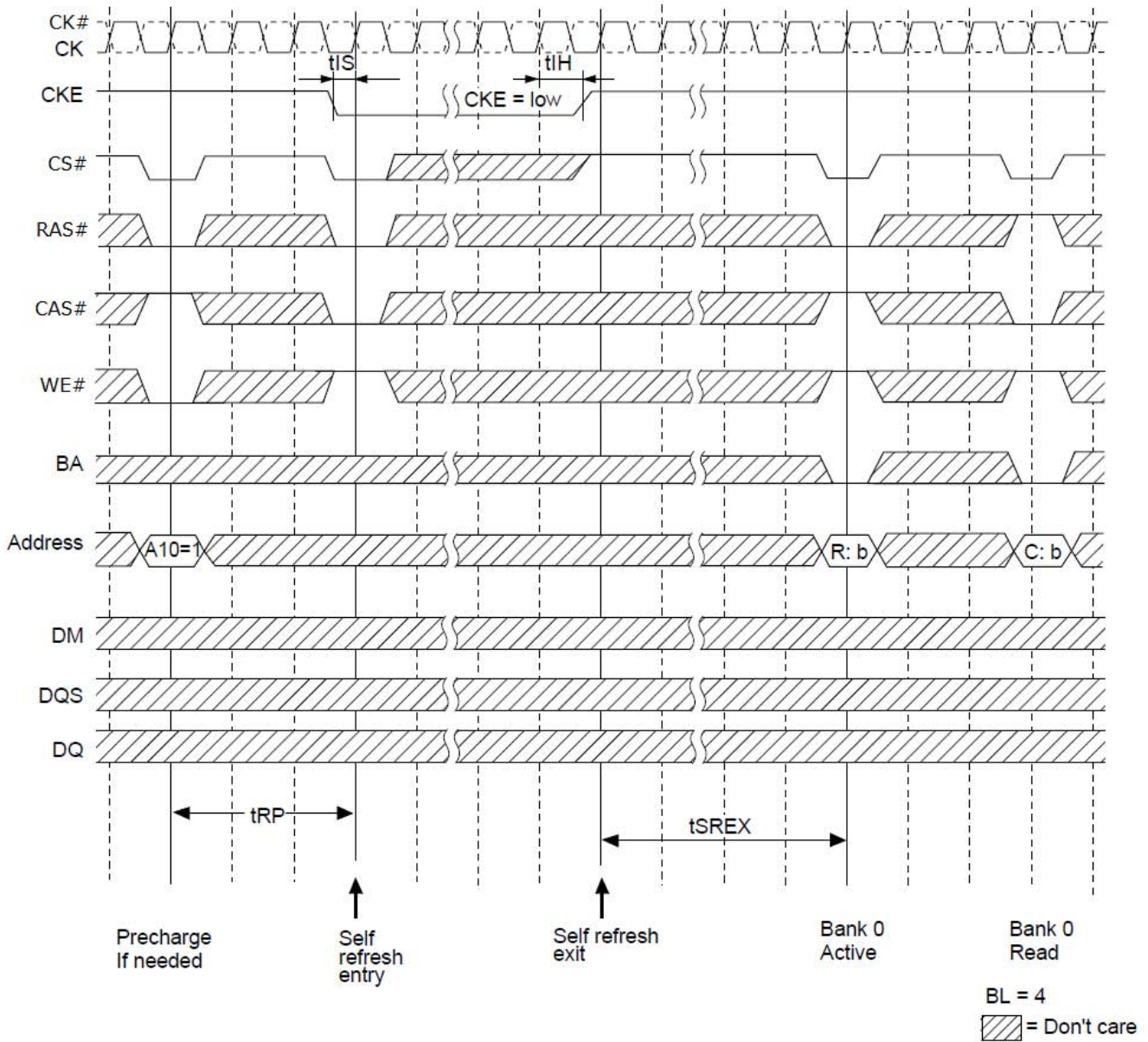
**Figure 5.8 Read / Write Cycle**



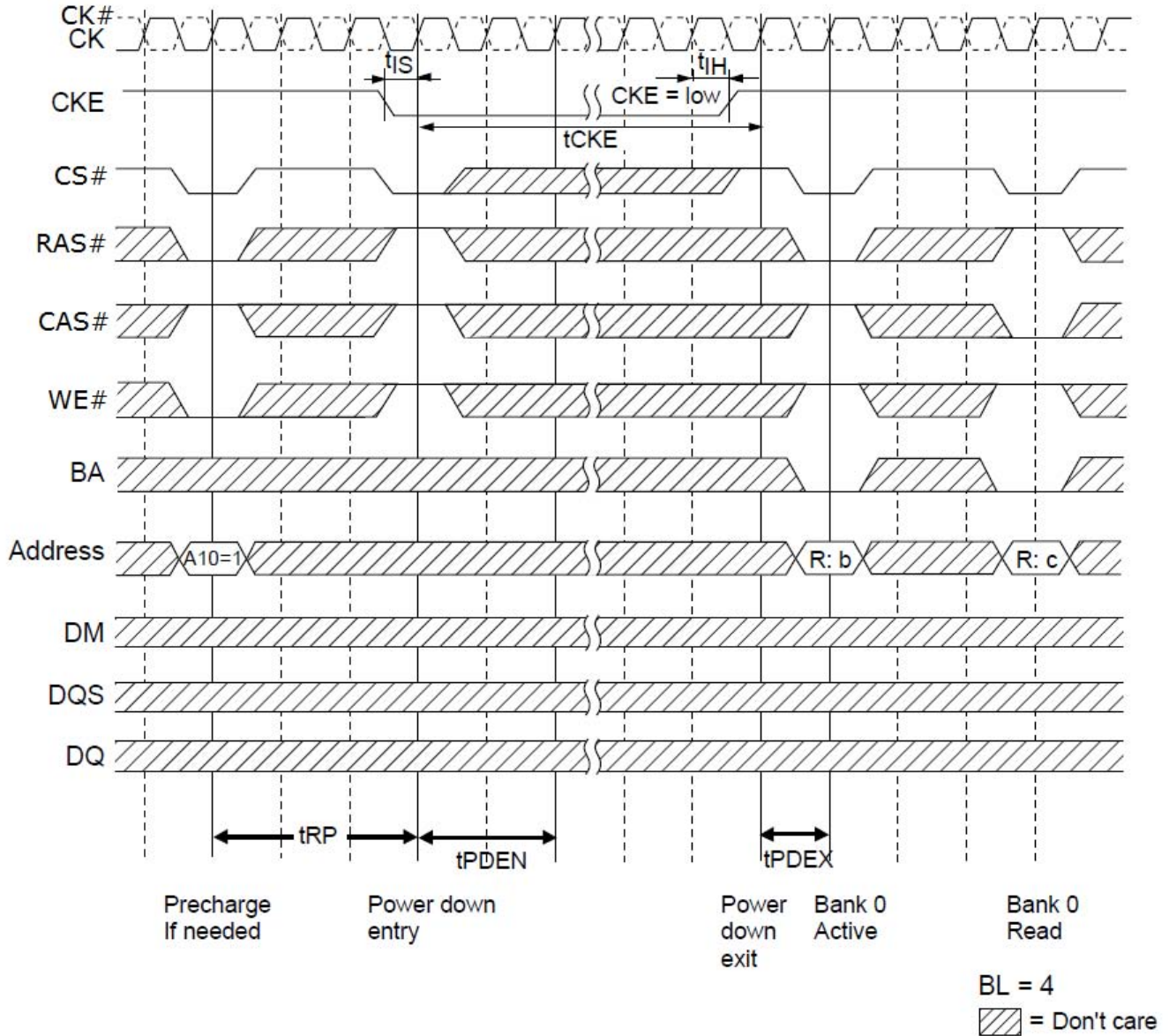
**Figure 5.9 Auto Refresh Cycle**

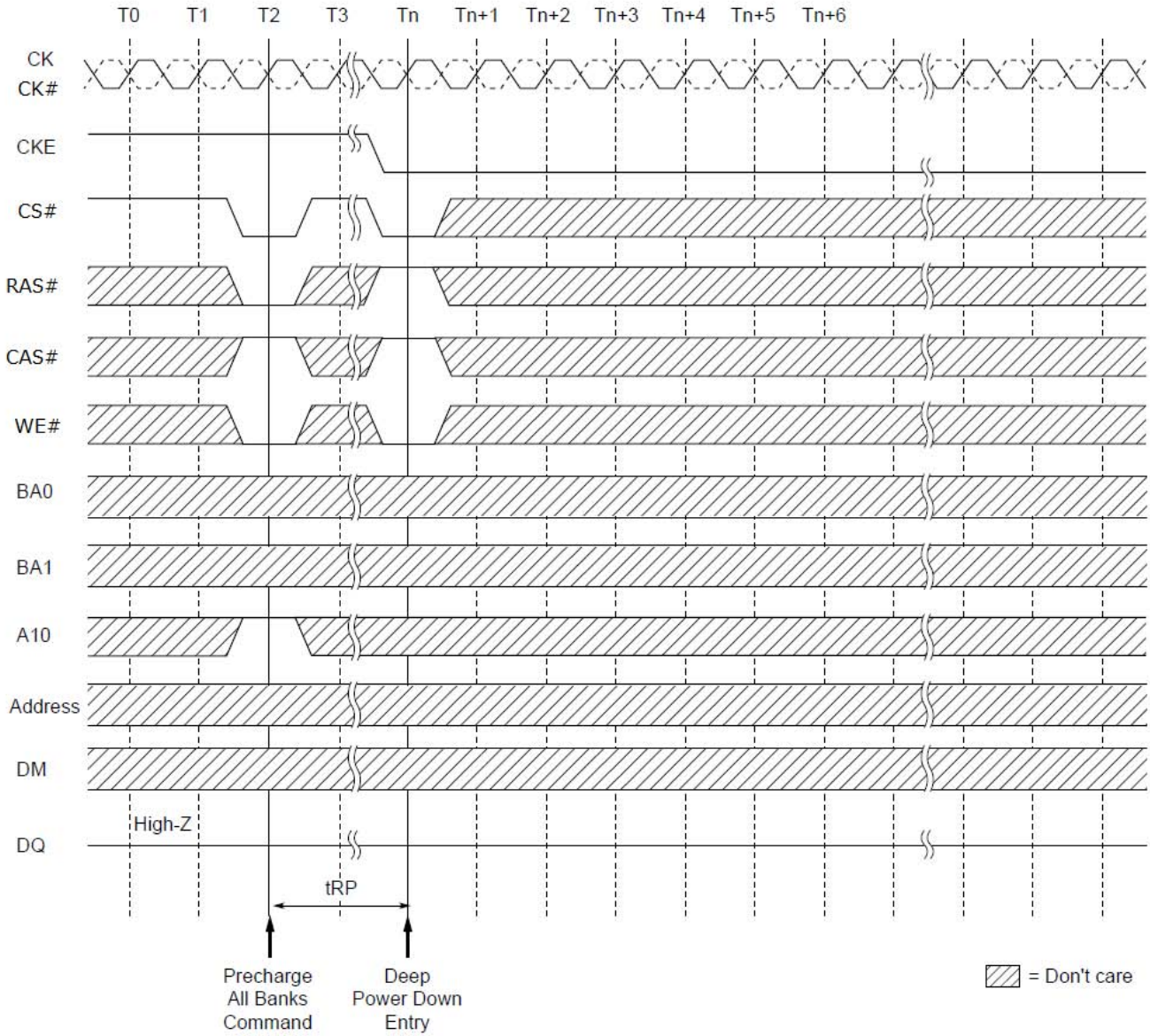


**Figure 5.10 Self Refresh Cycle**

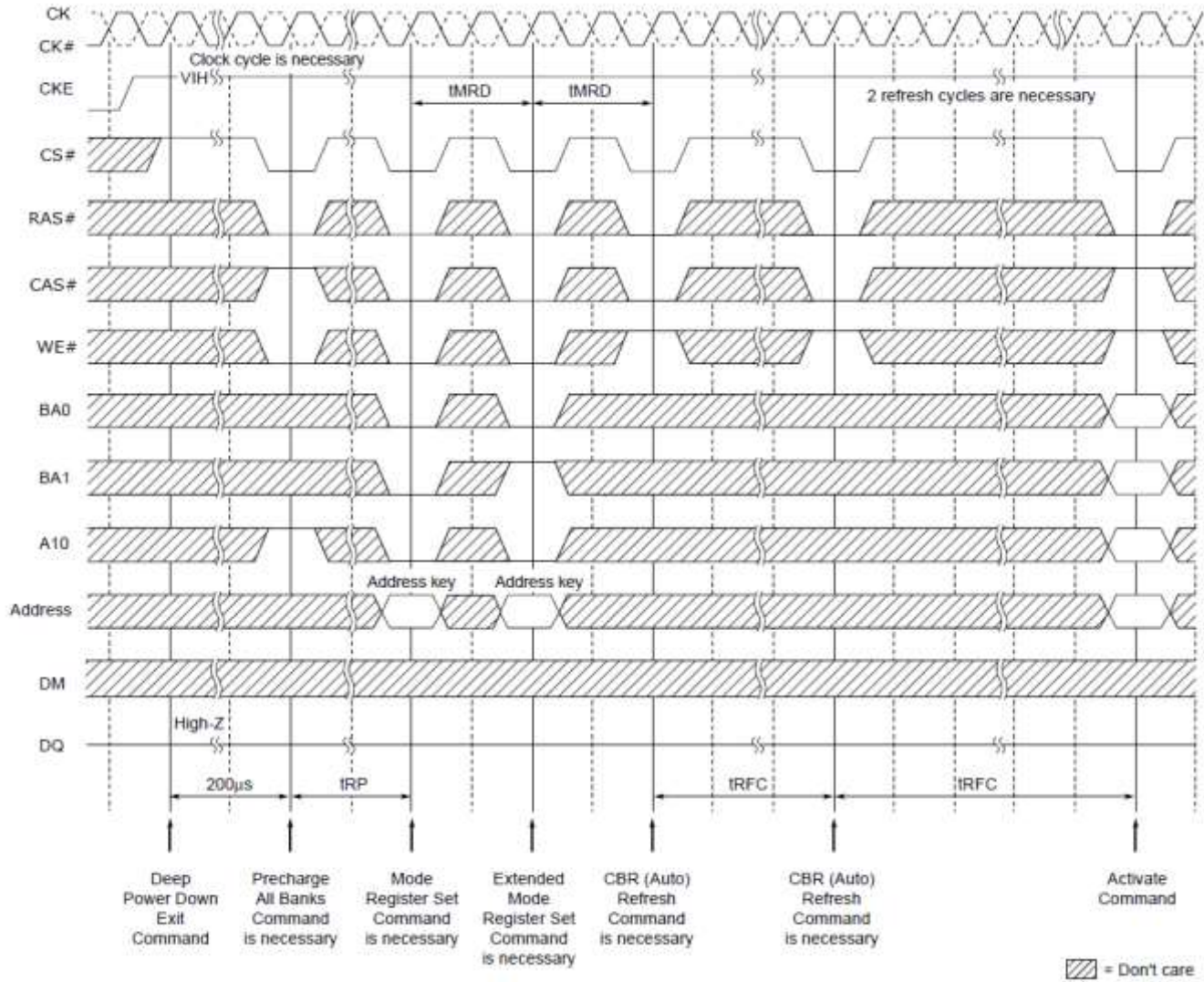


**Figure 5.11 Power Down Entry and Exit**



**Figure 5.12 Deep Power Down Entry**


**Figure 5.13 Deep Power Down Exit**



Note: The sequence of auto-refresh, mode register programming and extended mode register programming above may be transposed.

## 6. ELECTRICAL SPECIFICATIONS

- All voltages are referenced to VSS (GND).
- After power-up, wait more than **200 $\mu$ s** and then, execute power on sequence and CBR (Auto) refresh before proper device operation is achieved.

### 6.1 Absolute Maximum Ratings

**Table 6.1 Absolute maximum ratings**

Parameter	Symbol	Rating	Unit	Note
Voltage on any pin relative to VSS	VT	-0.5 to +2.3	V	
Supply voltage relative to VSS	VDD	-0.5 to +2.3	V	
Short circuit output current	IOS	50	mA	
Power dissipation	PD	1.0	W	
Operating junction temperature	Tj	-30 to +85	°C	
Storage temperature	Tstg	-55 to +125	°C	

**Caution :**

Exposing the device to stress above those listed in Absolute Maximum Ratings could cause permanent damage. The device is not meant to be operated under conditions outside the limits described in the operational section of this specification. Exposure to Absolute Maximum Rating conditions for extended periods may affect device reliability.



## 6.2 DC Characteristics

**Table 6.2 Recommended DC Operating Conditions (Tj=-30°C to +85°C)**

Parameter	Pins	Symbol	Min.	Typ.	Max.	Unit	Note
Supply voltage		VDD, VDDQ	1.7	1.8	1.95	V	1
		VSS, VSSQ	0	0	0		
Input high voltage	All other input pins	VIH	0.8 × VDDQ	-	VDDQ + 0.3	V	
Input low voltage		VIL	-0.3	-	0.2 × VDDQ	V	
DC input Voltage level	CK, CK#	VIN(DC)	-0.3	-	VDDQ + 0.3	V	
AC Input differential cross point voltage		VIX	0.4 × VDDQ	0.5 × VDDQ	0.6 × VDDQ		6
DC input differential voltage		VID(DC)	0.4 × VDDQ	-	VDDQ + 0.6		5
AC input differential voltage		VID(AC)	0.6 × VDDQ	-	VDDQ + 0.6		5
DC input high voltage	DQ, DM, DQS	VIHD(DC)	0.7 × VDDQ	-	VDDQ + 0.3	V	
DC input low voltage		VILD(DC)	-0.3	-	0.3 × VDDQ		
AC input high voltage		VIHD(AC)	0.8 × VDDQ	-	VDDQ + 0.3		
AC input low voltage		VILD(AC)	-0.3	-	0.2 × VDDQ		

Notes:

1. VDDQ must be equal to VDD.
2. VIH (max.) = 2.3V (pulse width ≤ 5ns).
3. VIL (min.) = -0.5V (pulse width ≤ 5ns).
4. All voltage referred to VSS and VSSQ must be same potential.
5. VID (DC) and VID (AC) are the magnitude of the difference between the input level on CK and the input level on CK#.
6. The value of VIX is expected to be 0.5 × VDDQ and must track variations in the DC level of the same.

Table 6.3 DC Characteristics-I (Tj = -30°C to +85°C, VDD and VDDQ = 1.7V to 1.95V, VSS and VSSQ = 0V)

Parameter	Symbol	Max.	Unit	Test Condition
Operating current (ACT-PRE)	IDD0	85	mA	One bank active-precharge, CKE = H, CS# = H between valid commands, tCK = tCK (min.), tRC = tRC (min.), Address bus inputs are SWITCHING; Data bus inputs are STABLE
Standby current in power down	IDD2P	0.8	mA	All banks idle, CKE=L, CS#=H, tCK=tCK (min.), Address and control inputs are SWITCHING; Data bus inputs are STABLE
Standby current in power down with clock stop	IDD2PS	0.6	mA	All banks idle, CKE=L, CS#=H, CK=L, CK#=H, Address and control inputs are SWITCHING; Data bus inputs are STABLE
Standby current in non-power down	IDD2N	7.0	mA	All banks idle, CKE=H, CS#=H, tCK=tCK (min.), Address and control inputs are SWITCHING; Data bus inputs are STABLE
Standby current in non-power down with clock stop	IDD2NS	2.0	mA	All banks idle, CKE=H, CS#=H, CK=L, CK#=H, Address and control inputs are SWITCHING; Data bus inputs are STABLE
Active standby current in power down	IDD3P	3.0	mA	One bank active, CKE=L, CS#=H, tCK=tCK (min.), Address and control inputs are SWITCHING; Data bus inputs are STABLE
Active standby current in power down with clock stop	IDD3PS	2.0	mA	One bank active, CKE=L, CS#=H, CK=L, CK#=H; Address and control inputs are SWITCHING; Data bus inputs are STABLE
Active standby current in non-power down	IDD3N	10	mA	One bank active, CKE=H, CS#=H, tCK=tCK (min.), Address and control inputs are SWITCHING; Data bus inputs are STABLE
Active standby current in non-power down with clock stop	IDD3NS	7.0	mA	One bank active, CKE=H, CS#=H, CK=L, CK#=H, Address and control inputs are SWITCHING; Data bus inputs are STABLE
Burst operating current	IDD4	135	mA	One bank active, Continuous burst reads or writes; tCK=tCK (min.), CL=3, BL=4, IOOUT = 0mA, Address inputs are SWITCHING, 50% data change each burst transfer
Auto-refresh current	IDD5	90	mA	CKE=H, tCK=tCK (min.), tRFC=tRFC (min.), Address and control inputs are SWITCHING; Data bus inputs are STABLE
Deep power down current	IDD8	10	uA	Address and control inputs are STABLE; Data bus inputs are STABLE

**Table 6.4 Advanced Data Retention Current ( $T_j = -30^\circ\text{C}$  to  $+85^\circ\text{C}$ ,  
**VDD and VDDQ = 1.7V to 1.95V, VSS and VSSQ = 0V)****

Parameter	Symbol	Typ.	Max.	Unit	Condition
<b>Advanced data retention current (Self refresh current)</b>					
PASR="000" (Full)	IDD6	-	400	uA	$-30^\circ\text{C} \leq T_J \leq +40^\circ\text{C}$ CKE = L
PASR="001" (2BK)		-	350		
PASR="010" (1BK)		-	330		
PASR="000" (Full)	IDD6	-	600		$+40^\circ\text{C} < T_J \leq +70^\circ\text{C}$ CKE = L
PASR="001" (2BK)		-	450		
PASR="010" (1BK)		-	380		
PASR="000" (Full)	IDD6	-	700		$+70^\circ\text{C} < T_J \leq +85^\circ\text{C}$ CKE = L
PASR="001" (2BK)		-	500		
PASR="010" (1BK)		-	400		

Notes:

1. IDD specifications are tested after the device is properly initialized.
2. Input slew rate is specified by Test Conditions.
3. Definitions for IDD:
  - L is defined as  $V_{IN} \leq 0.1 \times V_{DDQ}$ ;
  - H is defined as  $V_{IN} \geq 0.9 \times V_{DDQ}$ ;
  - STABLE is defined as inputs stable at an H or L level;
  - SWITCHING is defined as:
    - Address and command: inputs changing between H and L once per two clock cycles;
    - Data bus inputs: DQ changing between H and L once per clock cycle; DM and DQS are STABLE.

**Table 6.5 DC Characteristics -II ( $T_j = -30^\circ\text{C}$  to  $+85^\circ\text{C}$ , VDD and VDDQ = 1.7V to 1.95V,  
**VSS and VSSQ = 0V)****

Parameter	Symbol	Min.	Max.	Unit	Test Condition
Input leakage current	ILI	-2.0	2.0	uA	$0 \leq V_{IN} \leq V_{DDQ}$
Output leakage current	ILO	-1.5	1.5	uA	$0 \leq V_{OUT} \leq V_{DDQ}$ , DQ = disable
Output high voltage	VOH	$0.9 \times V_{DDQ}$	-	V	IOH = -0.1mA
Output low voltage	VOL	-	$0.1 \times V_{DDQ}$	V	IOL = 0.1 mA

**Table 6.6 Pin Capacitance (TA = +25°C, VDD and VDDQ = 1.7V to 1.95V)**

Parameter	Symbol	Pins	Min.	Typ.	Max.	Unit	Note	
Input capacitance	CL1	CK, CK#	1.5	-	3.5	pF	1	
	CL2	All other input only pins	1.5	-	3.0		1	
	Cdi1	CK, CK#	-	-	0.25		1	
Delta input capacitance								
	Cdi2	All other input only pins	-	-	0.5		1	
Data input/output capacitance	CI/O	DQ, DM, DQS	2.0	-	4.5		1,2	
Delta input/output capacitance	Cdio	DQ, DM, DQS	-	-	0.5		1	

Notes:

1. These parameters are measured on conditions:  $f = 100\text{MHz}$ ,  $V_{\text{OUT}} = V_{\text{DDQ}}/2$ ,  $\Delta V_{\text{OUT}} = 0.2\text{V}$ ,  $T_A = +25^\circ\text{C}$ .
2. DOUT circuits are disabled.

### 6.3 AC Characteristics

**Table 6.7 AC Characteristics (Reference) (Tj=-30°C to +85°C,**

**VDD and VDDQ = 1.7V to 1.95V, VSS and VSSQ = 0V)**

Parameter	Symbol	Min.	Max.	Unit	Note
Clock cycle time	tCK	5.0	-	ns	
CK high-level width	tCH	0.45	0.55	tCK	
CK low-level width	tCL	0.45	0.55	tCK	
CK half period	tHP	Min. (tCH,tCL)	-	tCK	
DQ output access time from CK, CK#	tAC	2.0	5.0	ns	2, 8
DQS-in cycle time	tDSC	0.9	1.1	tCK	
DQS output access time from CK, CK#	tDQSCK	2.0	5.0	ns	2, 8
DQ-out high-impedance time from CK, CK#	tHZ	-	5.0	ns	5, 8
DQ-out low-impedance time from CK, CK#	tLZ	1.0	-	ns	6, 8
DQS to DQ skew	tDOSQ	-	0.4	ns	3
DQ/DQS output hold time from DQS	tQH	tHP - tQHS	-	ns	4
Data hold skew factor	tQHS	-	0.5	ns	
DQ and DM input setup time	tDS	0.5	-	ns	3
DQ and DM input hold time	tDH	0.5	-	ns	3
DQ and DM input pulse width	tDIPW	1.6	-	ns	
Read preamble	tRPRE	0.9	1.1	tCK	
Read post-amble	tRPST	0.4	0.6	tCK	
Write preamble setup time	tWPRES	0	-	ns	
Write preamble	tWPRE	0.25	-	tCK	
Write post-amble	tWPST	0.4	0.6	tCK	7
Write command to first DQS latching transition	tDOSS	0.75	1.25	tCK	
DQS falling edge to CK setup time	tDSS	0.2	-	tCK	

DQS falling edge hold time from CK	tDSH	0.2	-	tCK	
DQS input high pulse width	tDSH	0.4	-	tCK	
DQS input low pulse width	tDQSL	0.4	-	tCK	
Address and control input setup time	tIS	0.9	-	ns	3
Address and control input hold time	tIH	0.9	-	ns	3
Address and control input pulse width	tIPW	2.3	-	ns	3
Mode register set command cycle time	tMRD	2	-	tCK	
Active to Precharge command period	tRAS	40	120000	ns	
Active to Active/Auto-refresh command period	tRC	55	-	ns	
Auto-refresh to Active/Auto-refresh command period	tRFC	96	-	ns	
Active to Read/Write delay	tRCD	15	-	ns	
Precharge to active command period	tRP	15	-	ns	
Column address to column address delay	tCCD	1	-	tCK	
Active to active command period	tRRD	10	-	ns	
Write recovery time	tWR	15	-	ns	
Auto pre-charge write recovery and pre-charge time	tDAL	-	-	-	9
Self-Refresh Exit Period	tSREX	120	-	ns	
Power-down entry	tPDEN	2	-	tCK	
Power-down exit to command input	tPDEX	1	-	tCK	
Internal Write to Read command delay	tWTR	2	-	tCK	
Refresh period	tREF	-	64	ms	
Average periodic refresh interval	tREFI	-	7.8	us	
CKE minimum pulse width	tCKE	2	-	tCK	
Write to pre-charge command delay (same bank)	tWPD	4+BL/2	-	tCK	
Read to pre-charge command delay (same bank)	tRPD	BL/2	-	tCK	
Write to read command delay (to input all data)	tWRD	3+BL/2	-	tCK	

---

Burst stop command to write command delay (CL = 3)	tBSTW	3	-	tCK	
---	-------	---	---	-----	--

Burst stop command to DQ high-Z (CL = 3)	tBSTZ	3	-	tCK	
Read command to write command delay (to output all data) (CL = 3)	tRWD	3+BL/2	-	tCK	
Pre-charge command to high-Z (CL = 3)	tHZP	3	-	tCK	
Mode register set command cycle time	tMRD	2	-	tCK	

Notes:

1. On all AC measurements, we assume the test conditions shown in “**Test conditions**” and full driver strength is assumed for the output load, that is both A6 and A5 of EMRS is set to be “L”.
2. This parameter defines the signal transition delay from the cross point of CK and CK#. The signal transition is defined to occur when the signal level crossing VDDQ/2.
3. The timing reference level is VDDQ/2.
4. Output valid window is defined to be the period between two successive transitions of data out signals. The signal transition is defined to occur when the signal level crossing VDDQ/2.
5. tHZ is defined as DOUT transition delay from low-Z to high-Z at the end of read burst operation. The timing reference is cross point of CK and CK#. This parameter is not referred to a specific DOUT voltage level, but specify when the device output stops driving.
6. tLZ is defined as DOUT transition delay from high-Z to low-Z at the beginning of read operation. This parameter is not referred to a specific DOUT voltage level, but specify when the device output begins driving.
7. The transition from low-Z to high-Z is defined to occur when the device output stops driving. A specific reference voltage to judge this transition is not given.
8. tAC, tDQSCK, tHZ and tLZ are specified with 15pF bus loading condition.
9. Minimum 3 clocks of tDAL (= tWR + tRP) is required because it need minimum 2 clocks for tWR and minimum 1 clock for tRP.  
 $tDAL = (tWR/tCK) + (tRP/tCK)$ : for each of the terms above, if not already an integer, round to the next higher integer.



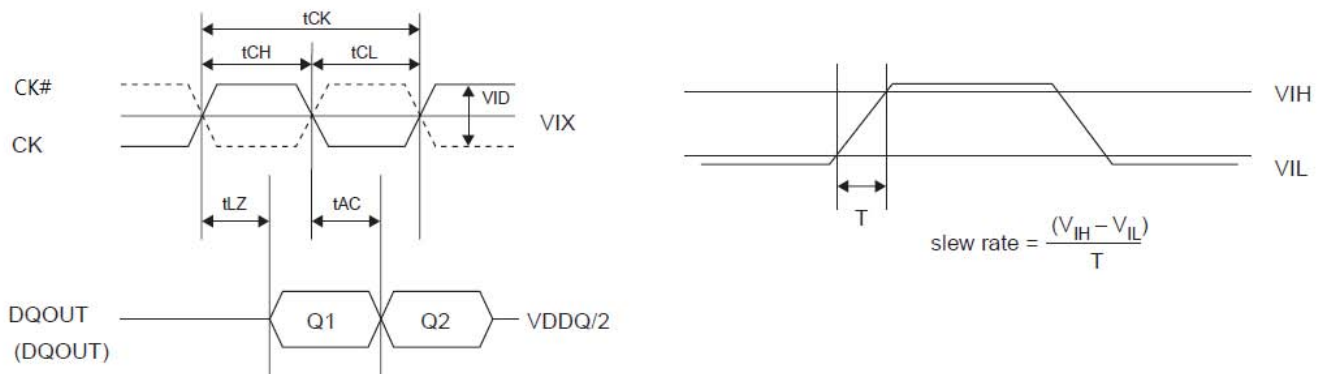
## 6.4 Test Conditions

**Table 6.8 Test Conditions**

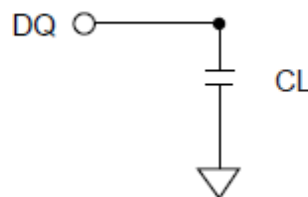
Parameter	Symbol	Value	Unit	Note
Input high voltage	V <sub>IH</sub> (AC)	0.8 x VDDQ	V	1
Input low voltage	V <sub>IL</sub> (AC)	0.2 x VDDQ	V	1
Input differential voltage, CK and CK# inputs	V <sub>ID</sub> (AC)	1.4	V	1
Input differential cross point voltage, CK and CK# inputs	V <sub>IX</sub> (AC)	VDDQ/2 with VDD=VDDQ	V	
Input signal slew rate	SLEW	1	V/ns	1
Output load	CL	15	pF	

Note : 1. VDD = VDDQ.

**Figure 6.1 Wave form and Timing reference**

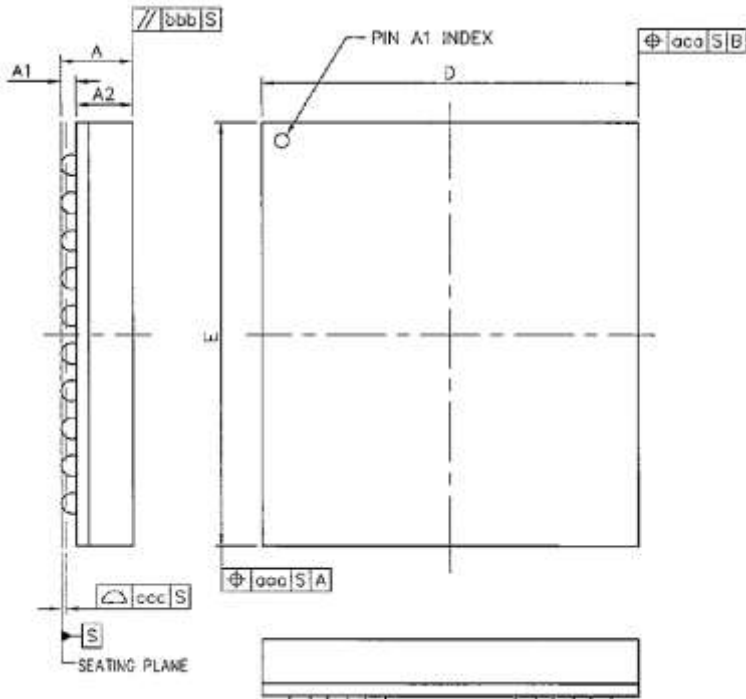


**Figure 6.2 Output Load**



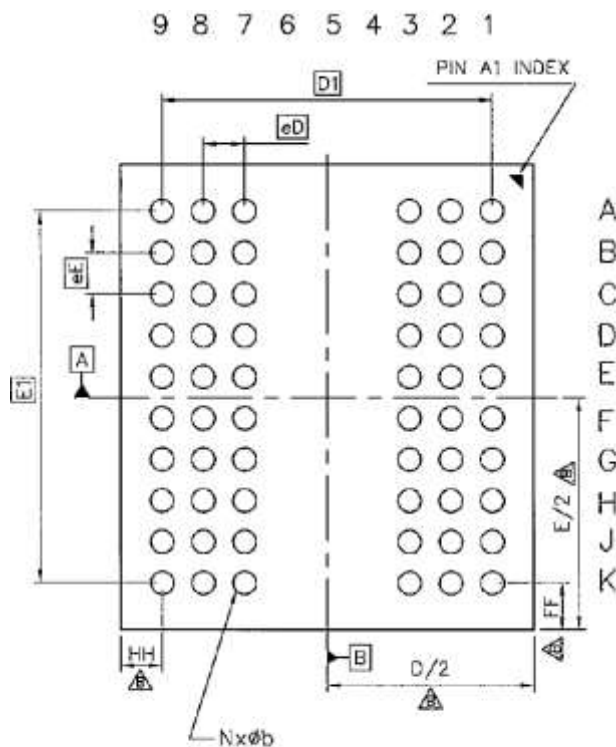
## 7. PACKAGE OUTLINE INFORMATION

### 7.1 60-Ball FBGA Package (8.0 x 9.0)



< TOP View >

Symbol	Dimension (mm)		
	Min.	Typ.	Max.
<b>A</b>	-	-	1.025
<b>A1</b>	0.250	0.300	0.350
<b>b</b>	0.400	0.450	0.500
<b>D</b>	7.900	8.000	8.100
<b>E</b>	8.900	9.000	9.100
<b>D1</b>	6.400 BSC.		
<b>E1</b>	7.200 BSC.		
<b>eD</b>	0.800 BSC.		
<b>eE</b>	0.800 BSC.		
<b>aaa</b>	0.15		
<b>bbb</b>	-	-	0.200
<b>ccc</b>	-	-	0.120
<b>ddd</b>	-	-	0.080
<b>N</b>	60		
<b>FF</b>	0.90		
<b>HH</b>	0.80		



SOLDER BALL DIAMETER REFERS.  
TO POST REFLOW CONDITION.

⊕|ddd|S|A|B

< Bottom View >

Alliance Memory Inc. reserves the rights to change the specifications and products without notice.

---

Alliance Memory, Inc., 551 Taylor Way, Suite #1, San Carlos, CA 94070, USA  
Tel: +1 650 610 6800 Fax: +1 650 620 9211