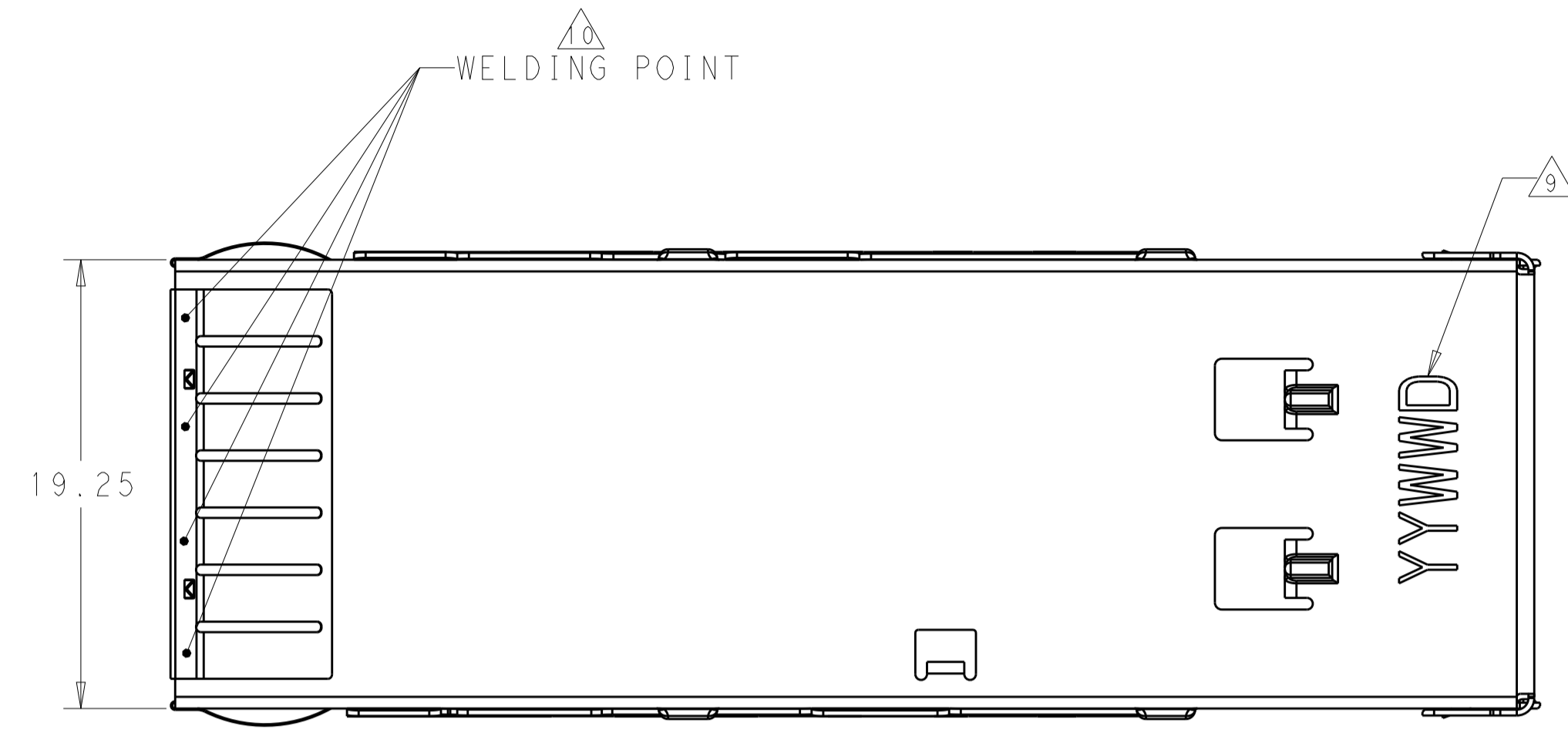
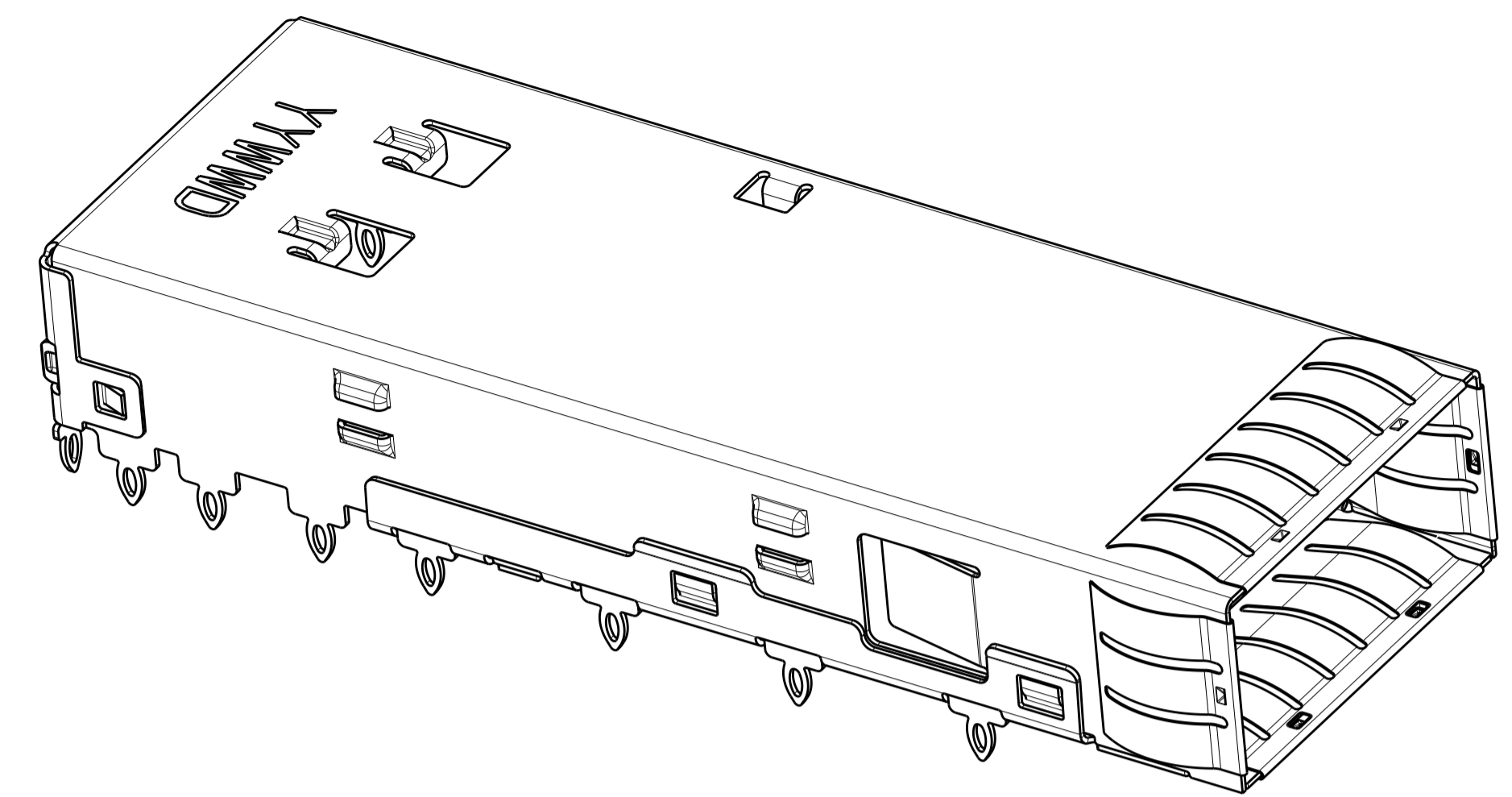
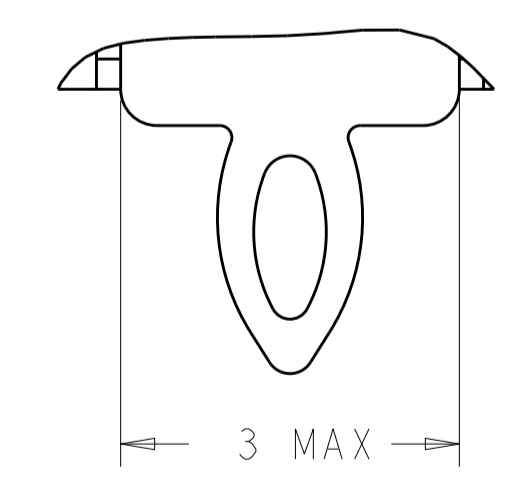
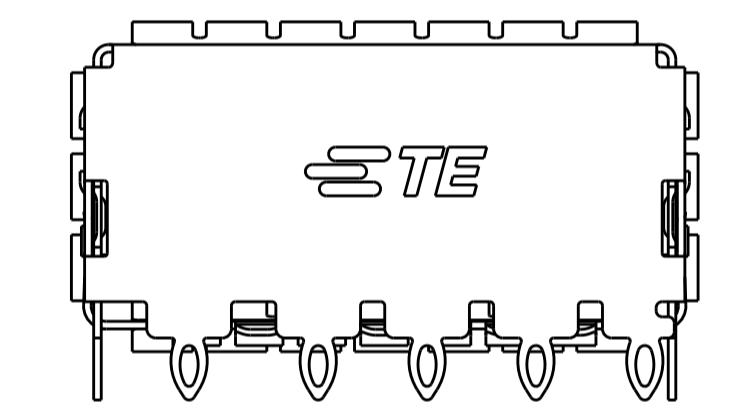
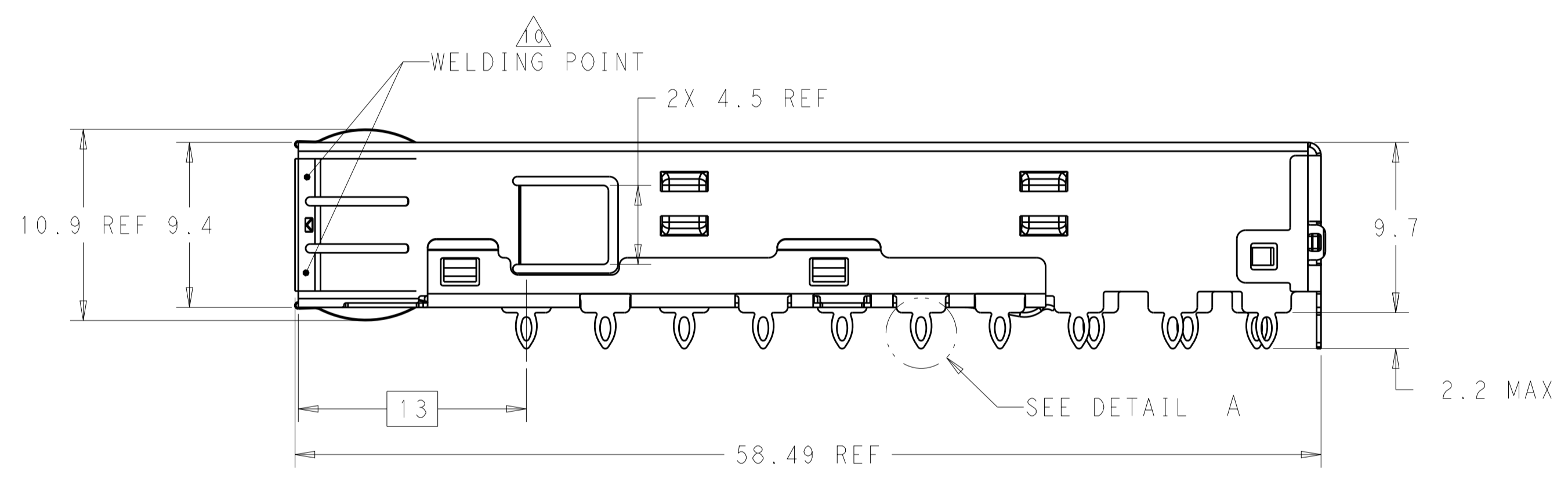
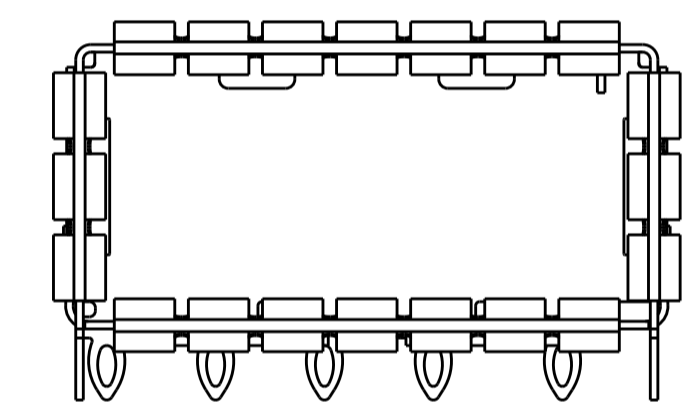


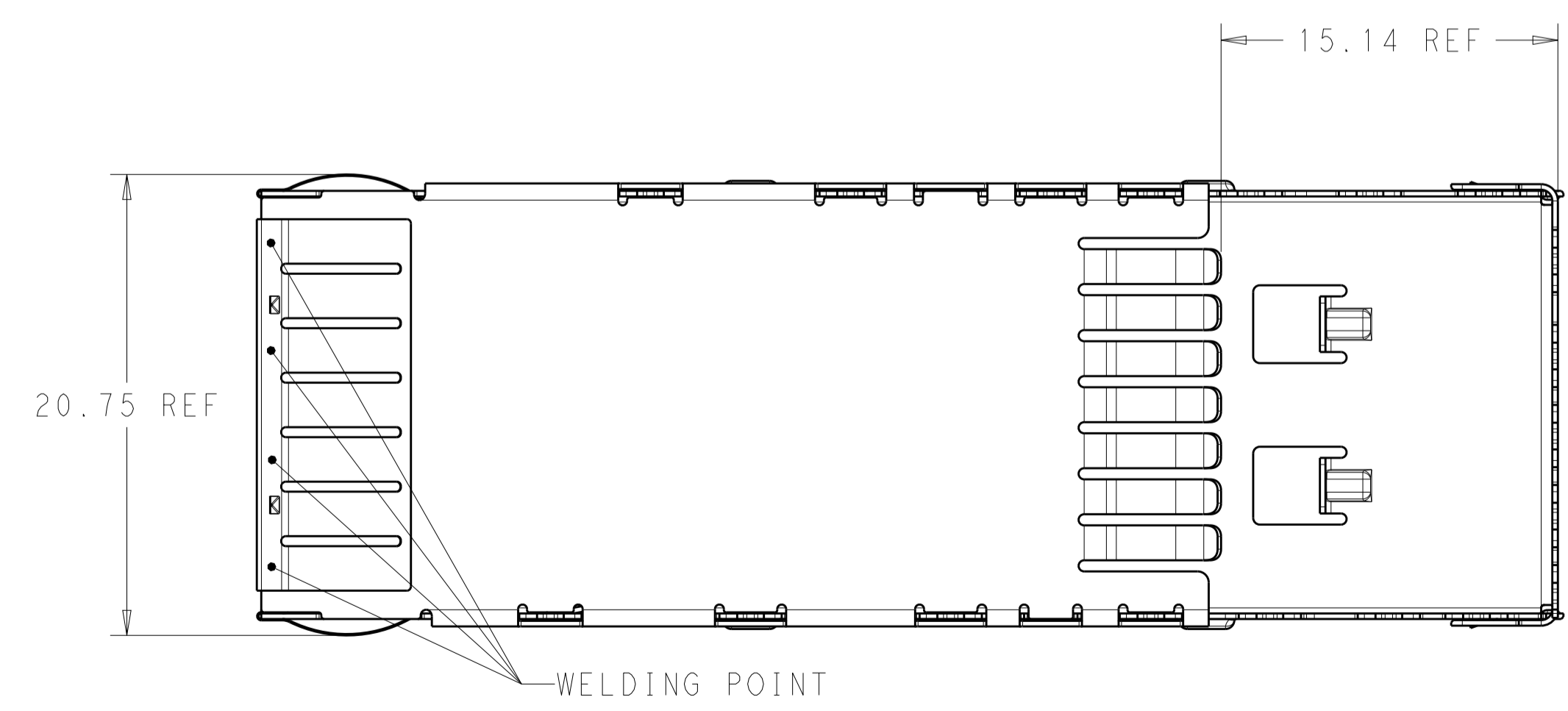
LOC		DIST		REVISIONS			
P	LTN	DESCRIPTION	DATE	DWN	APVD		
A		RELEASE PER ECO-15-018552	31DEC2015	RG	SH		



- △ CAGE MATERIAL : 0.25 mm THICK NICKEL SILVER.  
 SPRING MATERIAL: COPPER ALLOY, NICKEL PLATING
- △ MINIMUM PITCH DIMENSION
- 3. MATES WITH QSFP MSA COMPATIBLE TRANSCEIVER.
- △ REFERENCE APPLICATION SPEC 114-13217 FOR RECOMMENDED DRILL HOLE DIAMETER AND PLATING THICKNESS.
- △ DATUM AND BASIC DIMENSIONS ESTABLISHED BY CUSTOMERS.
- 6. MINIMUM PC BOARD THICKNESS :  
 SINGLES SIDED: 1.45 mm MIN  
 DOUBLE SIDED: 2.2 mm MIN
- △ DATUM -A- IS TOP SURFACE OF THE HOST BOARD.
- △ SURFACE TRACES PERMITTED WITHIN THIS AREA EXCEPT WHERE CAGE STANDOFFS, SHOWN IN DETAIL J, CONTACT PC BOARD.
- △ DATE CODE (YYWWD) MARKED APPROXIMATELY AS SHOWN
- △ FIX EMI SPRING BY LASER WELDING.



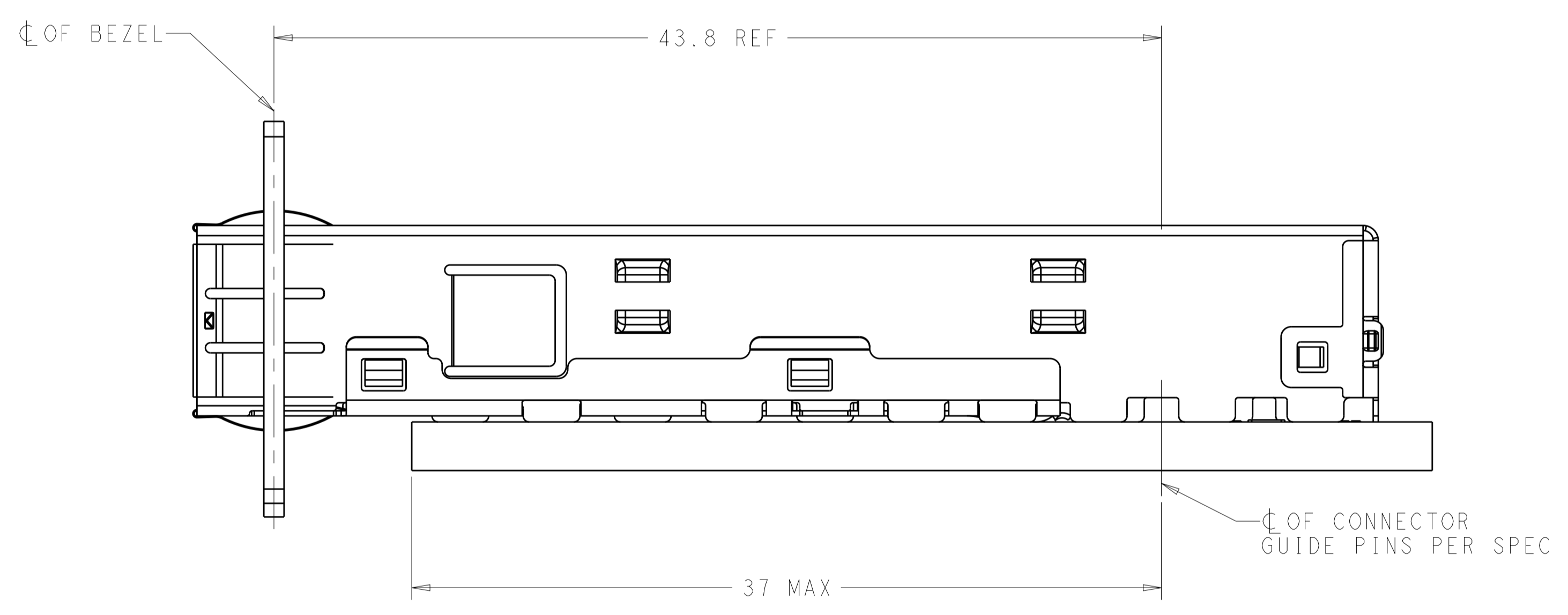
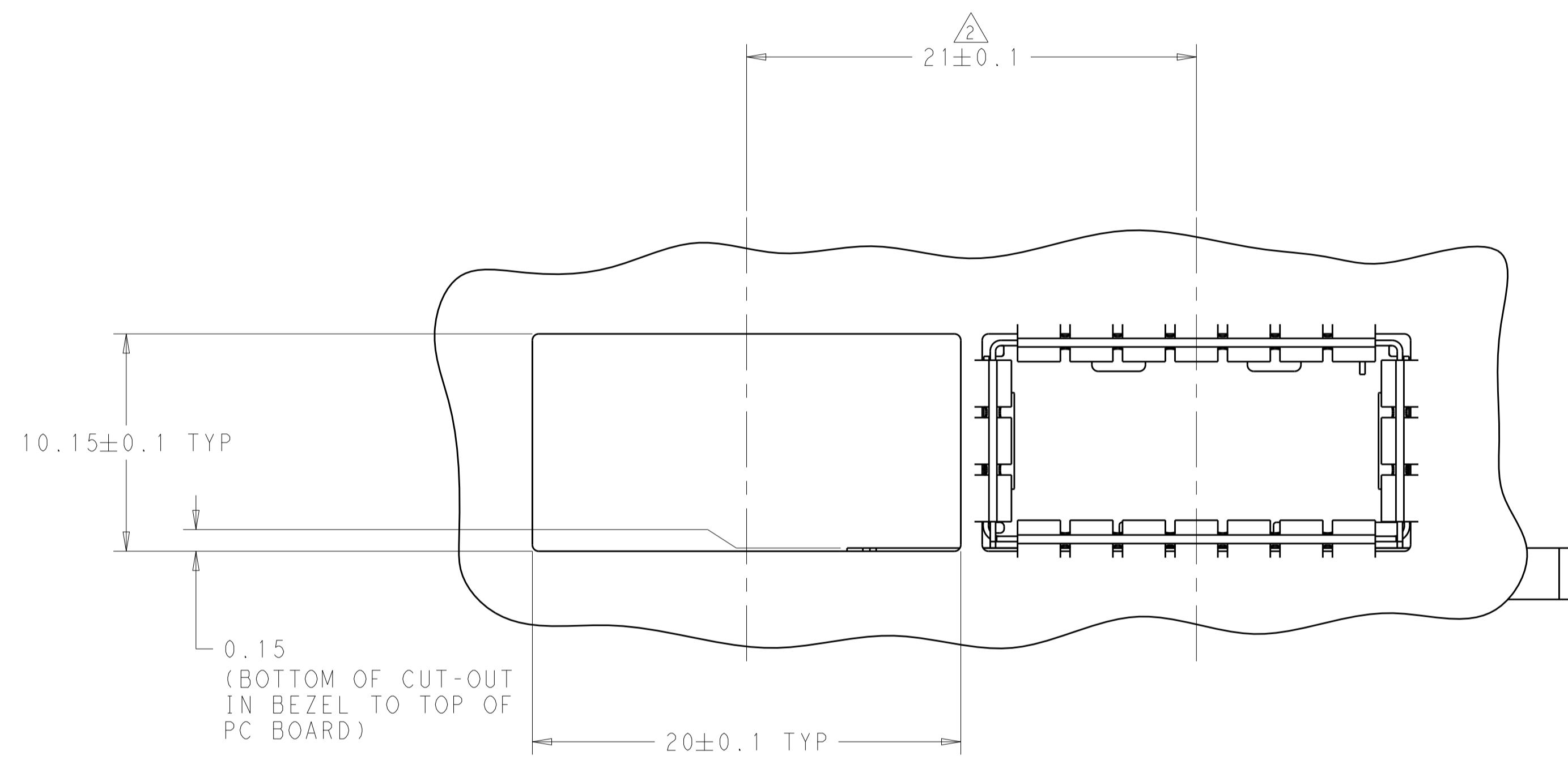
DETAIL A  
 SCALE 16:1



2170256-1 PART NUMBER

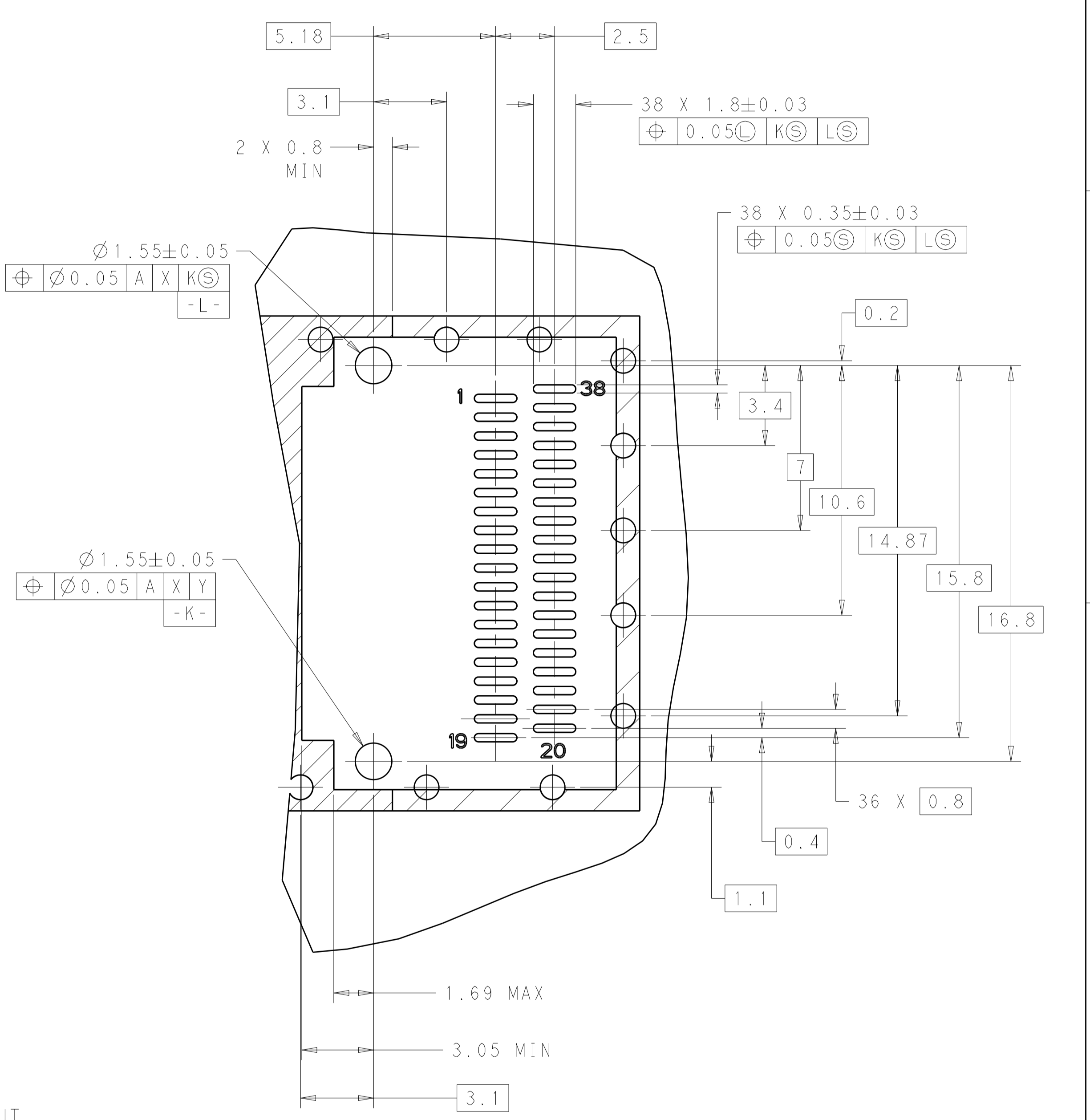
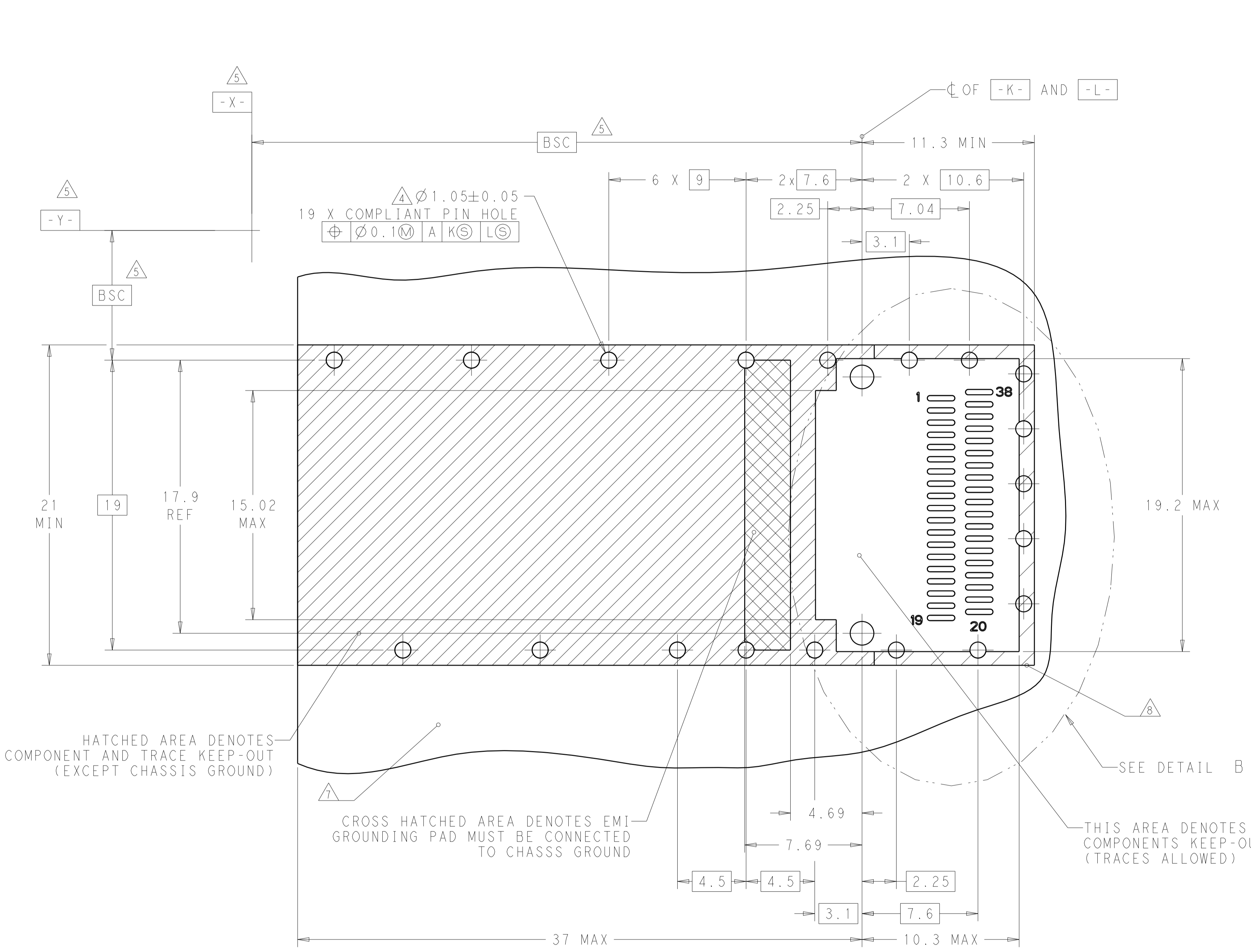
THIS DRAWING IS A CONTROLLED DOCUMENT.		OWN: RINSEN SUN 06FEB2012	TE Connectivity NAME: CAGE ASSEMBLY, THRU BEZEL 1X1 QSFP+	
DIMENSIONS:		CHK: DENNY ZHU 06FEB2012		
mm	TOLERANCES UNLESS OTHERWISE SPECIFIED:	APVD: ALEY CAI 06FEB2012	PRODUCT SPEC	RESTRICTED TO
0 PLC	±0.25	108-2286	APPLICATION SPEC	SIZE: CAGE CODE DRAWING NO
2 PLC	±0.25	114-13217	WEIGHT	A100779C=2170256
3 PLC	±0.10			SCALE 4:1 SHEET 1 OF 3 REV A
4 PLC	±0.013			
ANGLES	±°			
MATERIAL	FINISH	CUSTOMER DRAWING		

LOC		DIST		REVISIONS			
P	LTN	DESCRIPTION	DATE	DWN	APVD		
-	-	SEE SHEET 1	-	-	-		



THIS DRAWING IS A CONTROLLED DOCUMENT.		DWN: RINSEN SUN 06FEB2012	
DIMENSIONS: mm		CHK: DENNY ZHU 06FEB2012	
TOLERANCES UNLESS OTHERWISE SPECIFIED:		APVD: AILEY CAI 06FEB2012	NAME: CAGE ASSEMBLY THRU BEZEL 1X1 QSFP+
0 PLC ±0.25	1 PLC ±0.25	PRODUCT SPEC: 108-2286	SIZE: A100779C=2170256
2 PLC ±0.10	3 PLC ±0.013	APPLICATION SPEC: 114-13217	RESTRICTED TO: -
4 PLC ±	ANGLES ±	WEIGHT: -	SCALE: 2:1 SHEET 2 OF 3 REV A
MATERIAL: -	FINISH: -	CUSTOMER DRAWING	

LOC	DIST	REV	DATE	BY	APPD
-	-	1	SEE SHEET 1	-	-



DETAIL B  
SCALE 7:1

THIS DRAWING IS A CONTROLLED DOCUMENT.		OWN: RINSEN SUN 06FEB2012	TE Connectivity
DIMENSIONS: mm		CHK: DENNY ZHU 06FEB2012	
TOLERANCES UNLESS OTHERWISE SPECIFIED:		APVD: ALEY CAI 06FEB2012	NAME: CAGE ASSEMBLY THRU BEZEL 1X1 QSFP+
0 PLC	$\pm 0.25$	PRODUCT SPEC	SIZE: CAGE CODE DRAWING NO
1 PLC	$\pm 0.25$	108-2286	RESTRICTED TO
2 PLC	$\pm 0.10$	APPLICATION SPEC	A100779C=2170256
3 PLC	$\pm 0.013$	114-13217	SCALE 2:1 SHEET 3 OF 3 REV A
4 PLC	$\pm$	WEIGHT	
ANGLES	$\pm$	CUSTOMER DRAWING	
MATERIAL	FINISH		