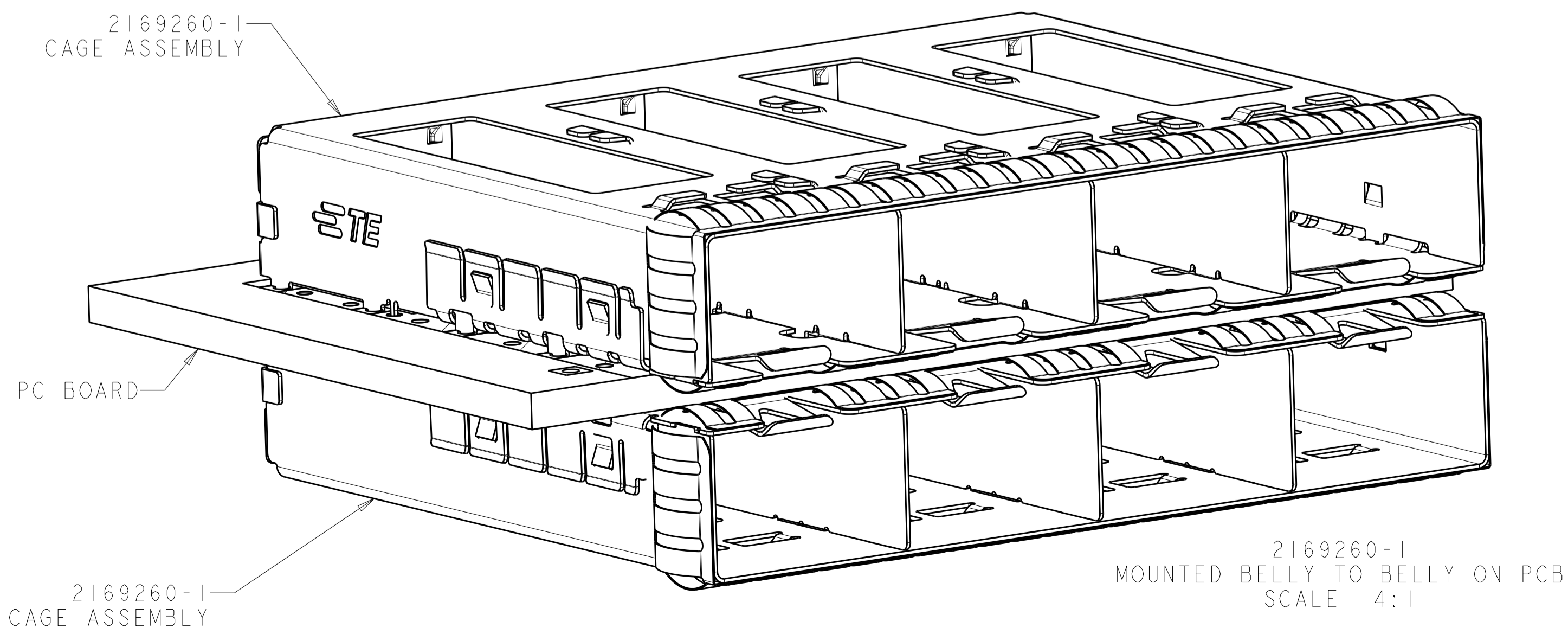
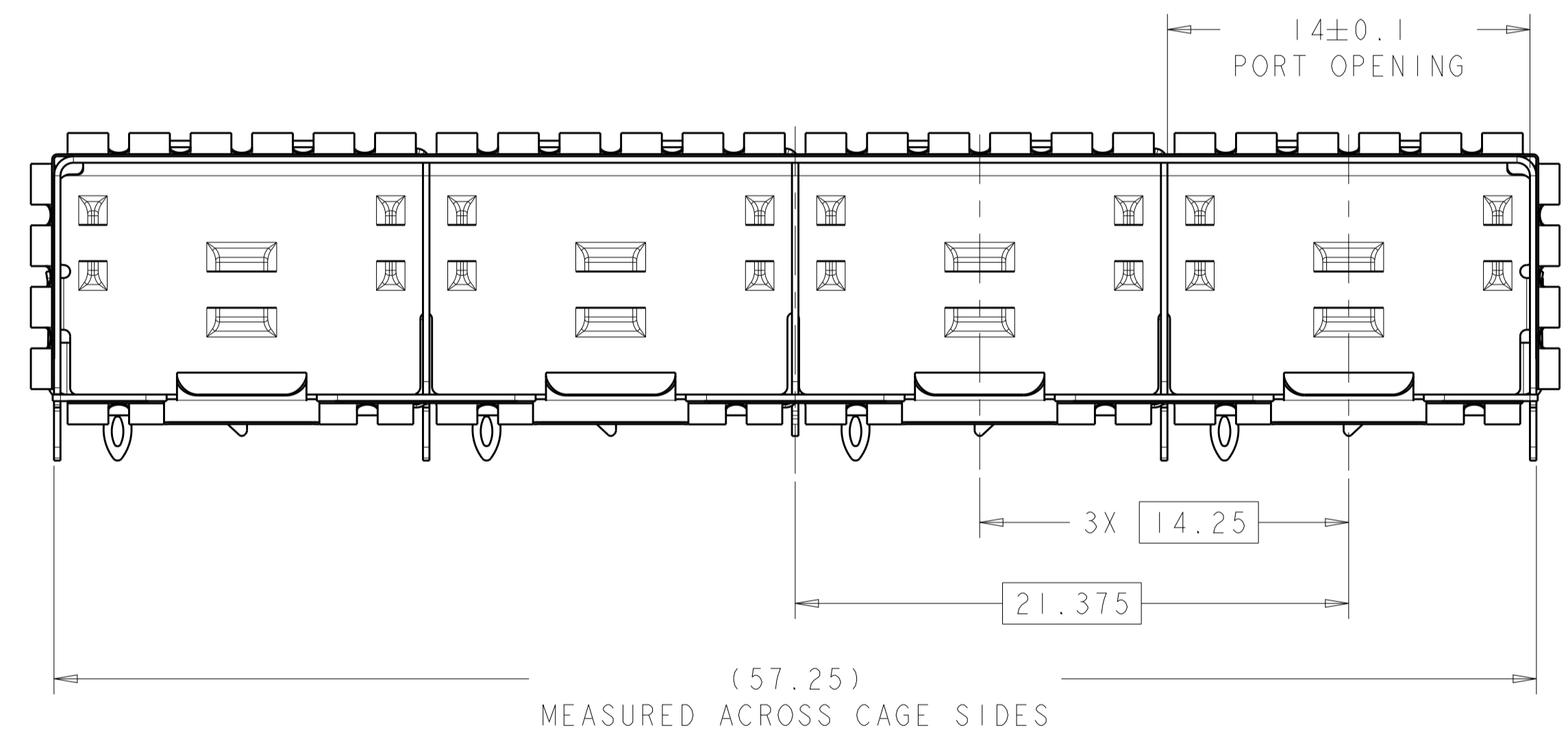
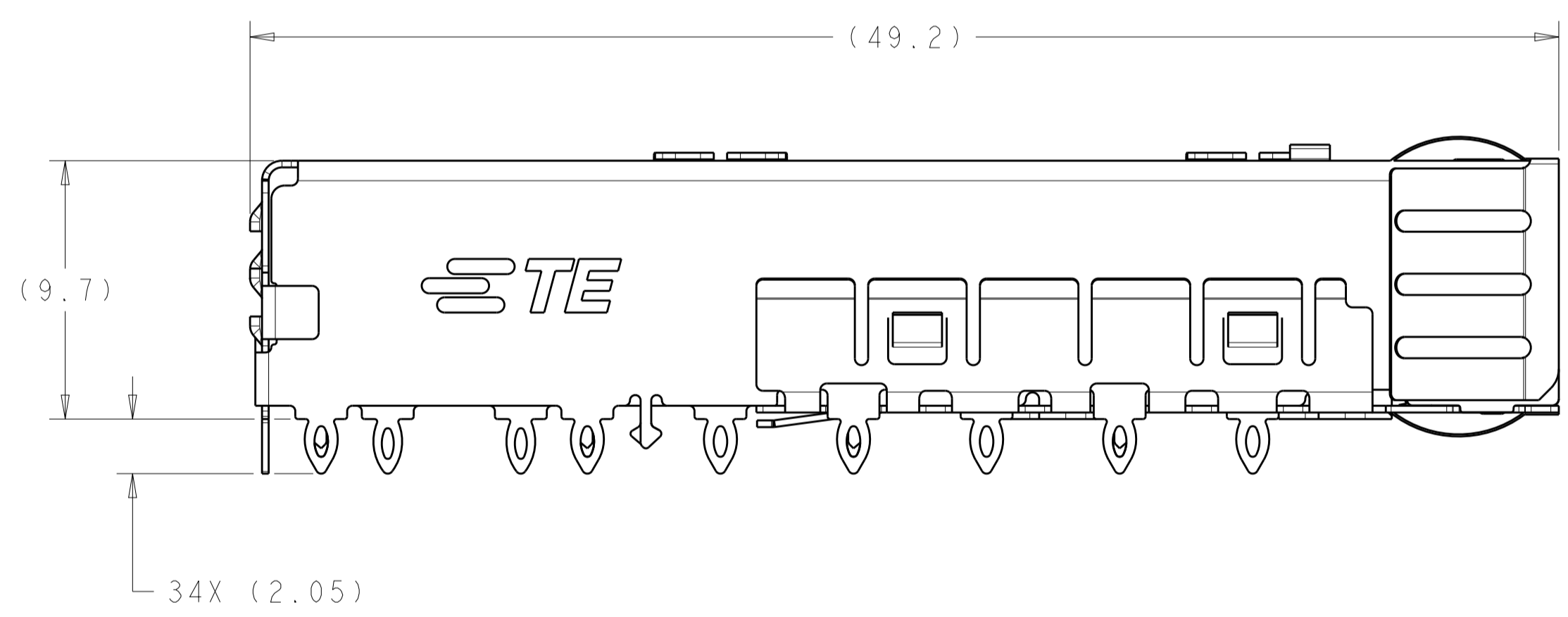
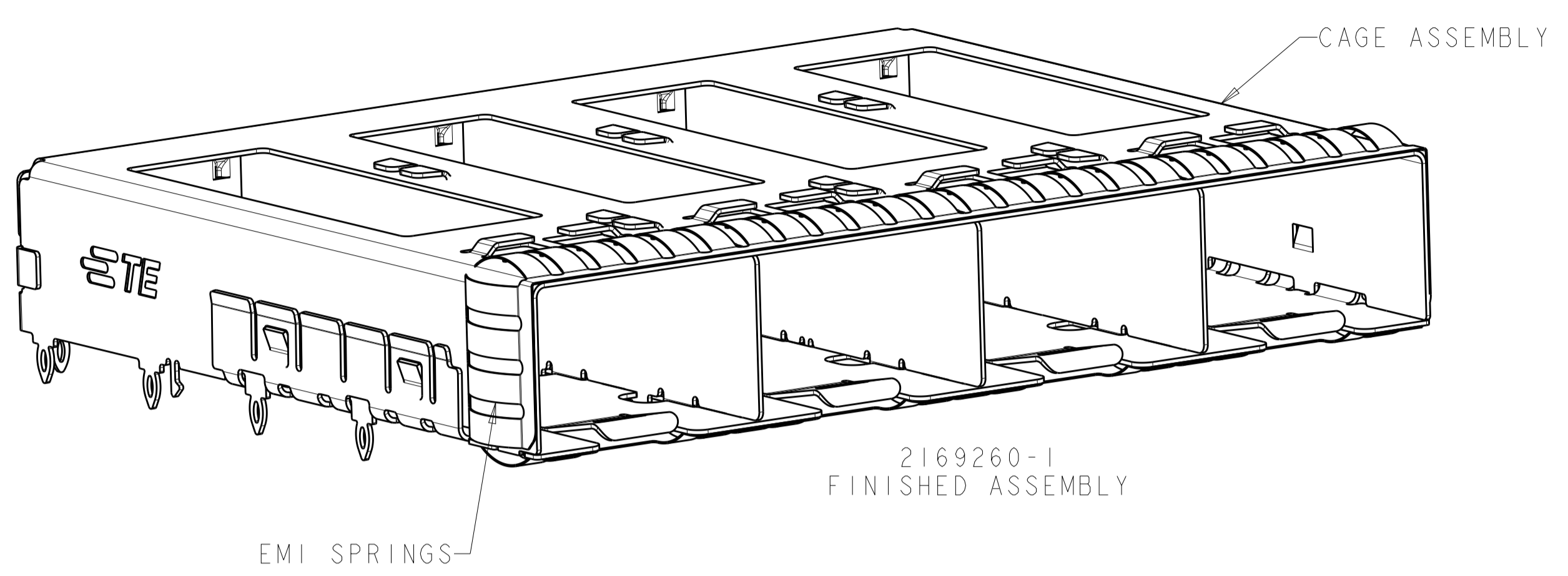


LOC	DIST	REVISIONS			
P	LTN	DESCRIPTION	DATE	DMN	APVD
GP	00	A	RELEASED PER ECO-12-013192	10OCT2012	BMM MRS

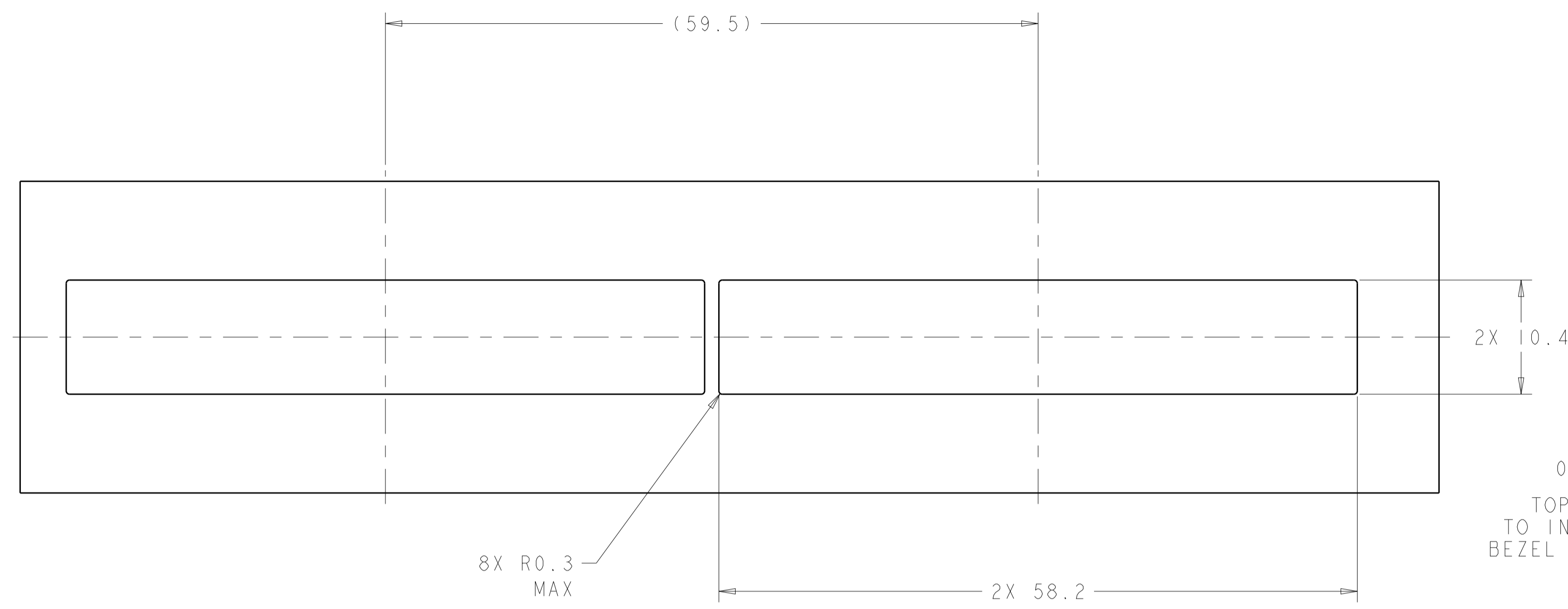
- 1. MATERIAL: CAGE ASSEMBLY: 0.25mm THICK NICKEL SILVER ALLOY.
EMI SPRINGS: COPPER ALLOY
- 2. FINISH
SPRINGS: MINIMUM OF 0.8um MATTE TIN PLATED OVER A MINIMUM OF 0.8um NICKEL UNDERPLATE.
NON-PLATED EDGES PERMISSIBLE.
- 3. PADS AND VIAS CHASSIS GROUND.
- 4. DATUM AND BASIC DIMENSION ESTABLISHED BY CUSTOMER.
- 5. MATES WITH SFP MSA COMPLIANT TRANSCEIVERS.
- 6. INTERPRETATION OF DATUM REFERENCE FRAME IN ACCORDANCE WITH SECT 4.4.1.1 OF ASME Y14.5M-1994.
- 7. REFERENCE APPLICATION SPEC. 114-13120, HOLE A, FOR RECOMMENDED DRILL HOLE DIAMETER AND PLATING THICKNESS.
- 8. REFERENCE APPLICATION SPEC. 114-13120, HOLE B, FOR RECOMMENDED DRILL HOLE DIAMETER AND PLATING THICKNESS.
- 9. HOLE PATTERN REPEATS FOR EACH PORT. SPACING BETWEEN PORTS IS 14.25mm.
- 10. MINIMUM PCB THICKNESS:
SINGLE SIDED = 1.50
DOUBLE SIDED = 2.25
- 11. CERTAIN MATING TRANSCEIVERS MAY REQUIRE ADDITIONAL PCB THICKNESS THAT WOULD NEED TO BE DETERMINED BY THE CUSTOMER.
- 12. PRODUCT COMPLIES WITH WITH SPECIFICATION SFF-8433 IMPROVED PLUGGABLE FORM FACTOR FOR SFP+ GANGED CAGES.



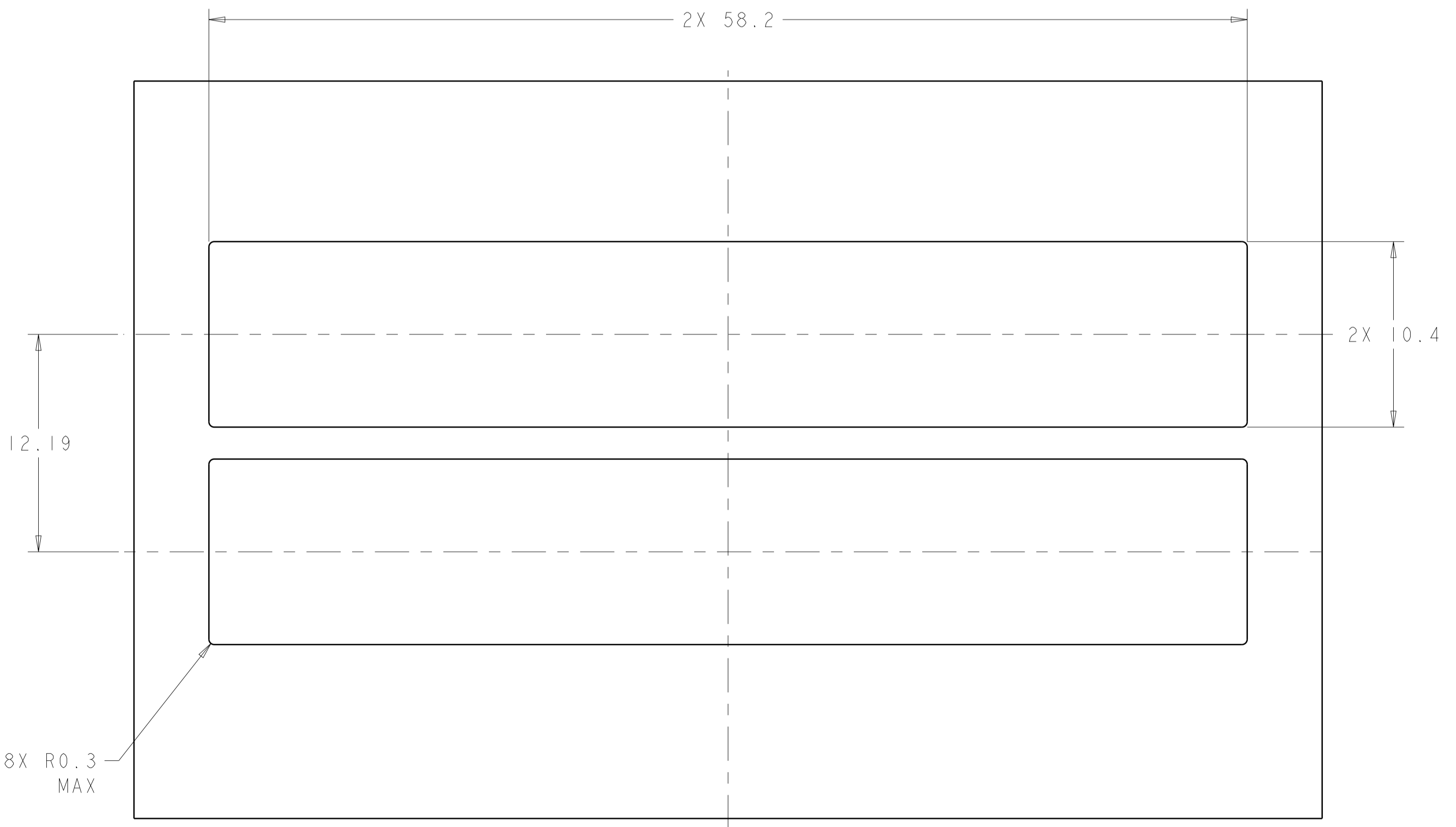
2169260-1
PART
NUMBER

THIS DRAWING IS A CONTROLLED DOCUMENT.		DMN B. MATTHEWS 10DEC2010	TE Connectivity
DIMENSIONS:		CHK M. SCHMITT 10DEC2010	NAME SFP+ ENHANCED 1X4 CAGE ASSEMBLY PRESS FIT, EXTERNAL EMI SPRINGS
TOLERANCES UNLESS OTHERWISE SPECIFIED:		APVD M. SCHMITT 10DEC2010	
mm	0 PLC ±0.1	PRODUCT SPEC	SIZE CAGE CODE DRAWING NO
	1 PLC ±0.1	108-2364	RESTRICTED TO
	2 PLC ±0.1	APPLICATION SPEC	A100779C=2169260
	3 PLC ±0.1	114-13120	SCALE 5:1 SHEET 1 OF 4 REV A
	4 PLC ±0.1	WEIGHT	Customer Drawing
	ANGLES ±1°		
MATERIAL	FINISH		

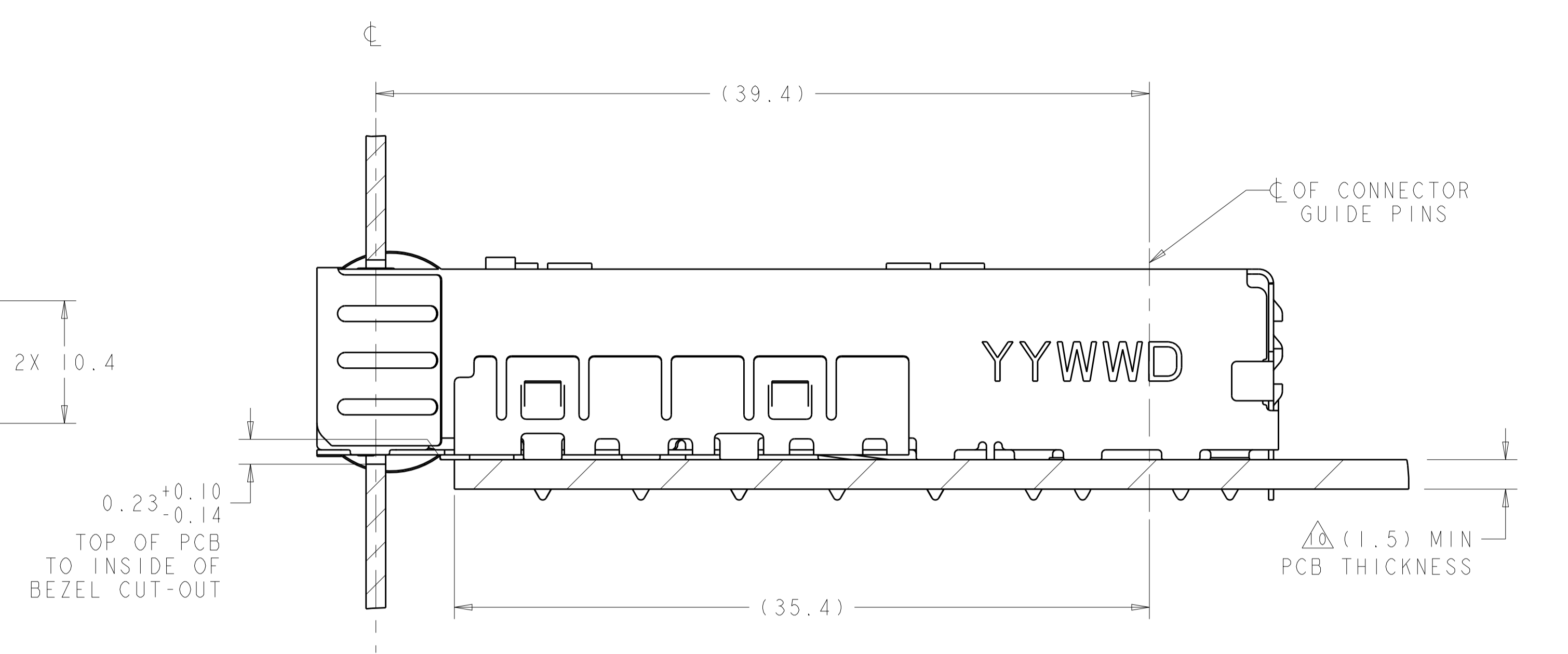
LOC		DIST		REVISIONS			
P	LTN	DESCRIPTION	DATE	DMN	APVD		
-	-	SEE SHEET 1	-	-	-		



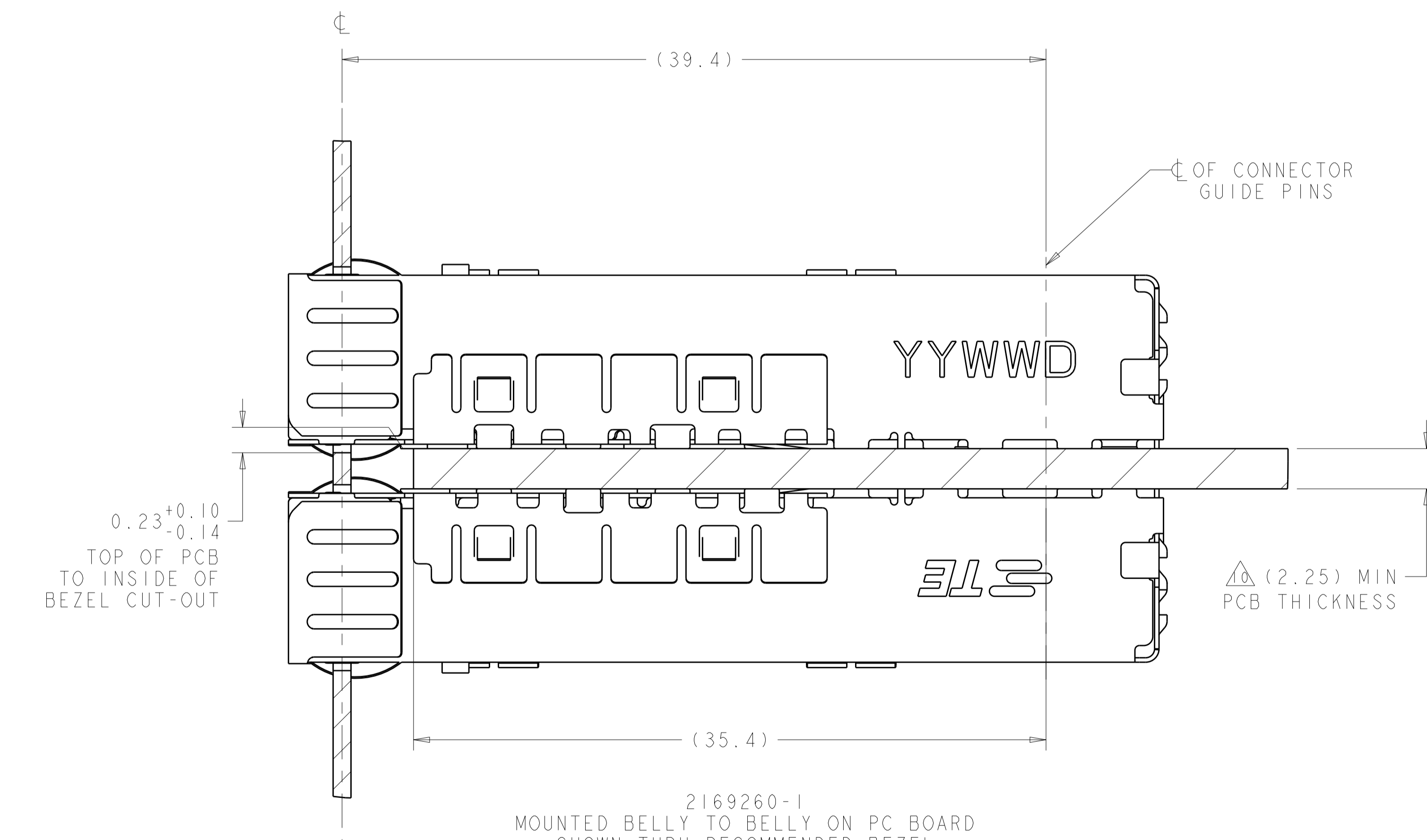
RECOMMENDED BEZEL CUT-OUT
 SINGLE SIDED APPLICATIONS
 SCALE 3:1



RECOMMENDED BEZEL CUT-OUT
 BELLY TO BELLY APPLICATIONS



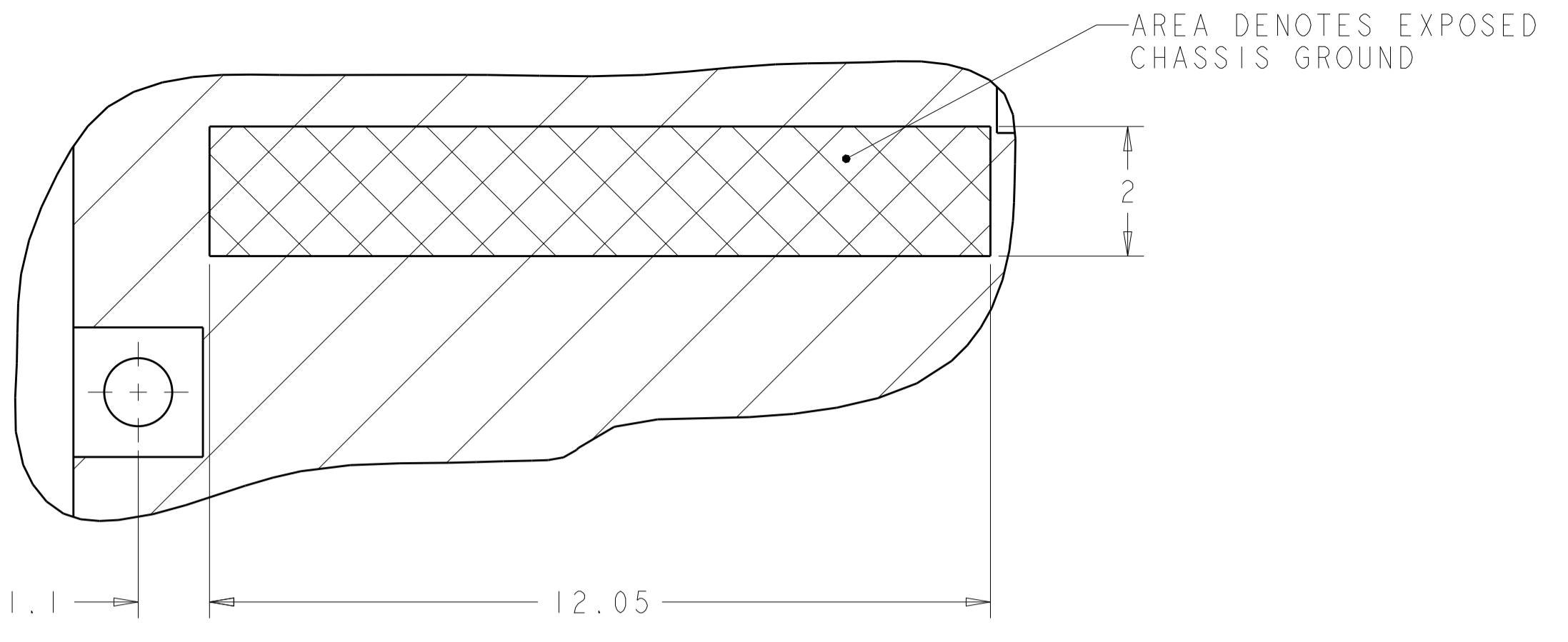
2169260-1
 MOUNTED ON PC BOARD
 SHOWN THRU RECOMMENDED BEZEL



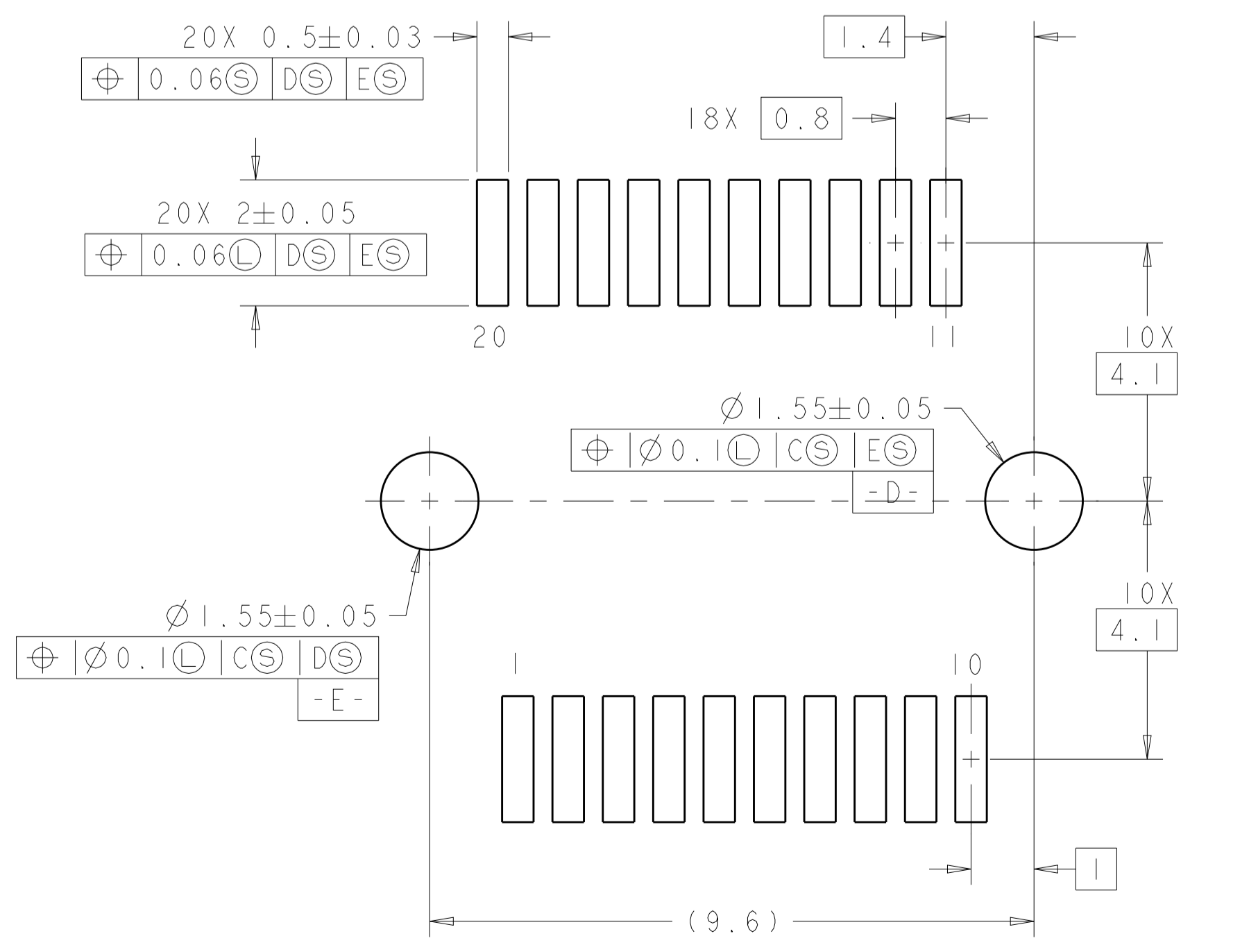
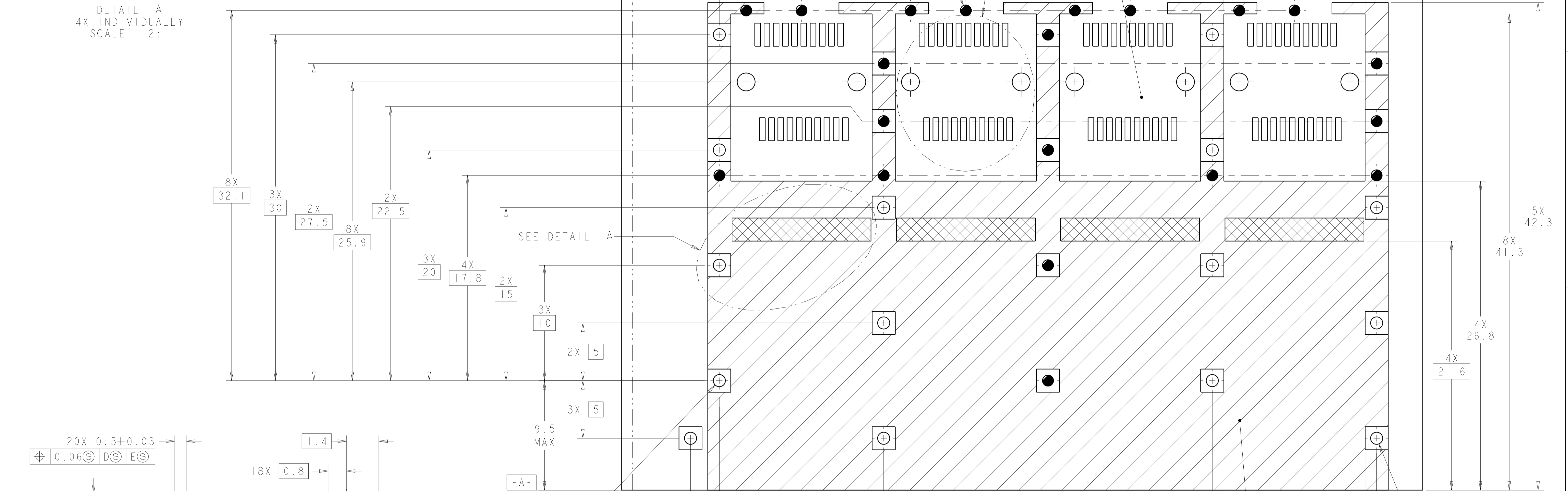
2169260-1
 MOUNTED BELLY TO BELLY ON PC BOARD
 SHOWN THRU RECOMMENDED BEZEL

THIS DRAWING IS A CONTROLLED DOCUMENT.		DMN B. MATTHEWS	10DEC2010	STE TE Connectivity
DIMENSIONS: mm		CHK M. SCHMITT	10DEC2010	
TOLERANCES UNLESS OTHERWISE SPECIFIED:		APVD M. SCHMITT	10DEC2010	NAME SFP+ ENHANCED 1X4 CAGE ASSEMBLY PRESS FIT, EXTERNAL EMI SPRINGS
0 PLC ±0.1		PRODUCT SPEC	108-2364	
1 PLC ±0.1		APPLICATION SPEC	114-13120	SIZE CAGE CODE DRAWING NO
2 PLC ±0.1		WEIGHT	-	A100779C=2169260
3 PLC ±0.1		Customer Drawing	SCALE 5:1	SHEET 2 OF 4
4 PLC ±0.1				REV A
ANGLES ±1°				
FINISH				

LOC		DIST		REVISIONS					
GP		00		REV	DATE	OWN	APVD	DESCRIPTION	
-	-	-	-	-	-	-	-	SEE SHEET 1	-



DETAIL A
4X INDIVIDUALLY
SCALE 12:1



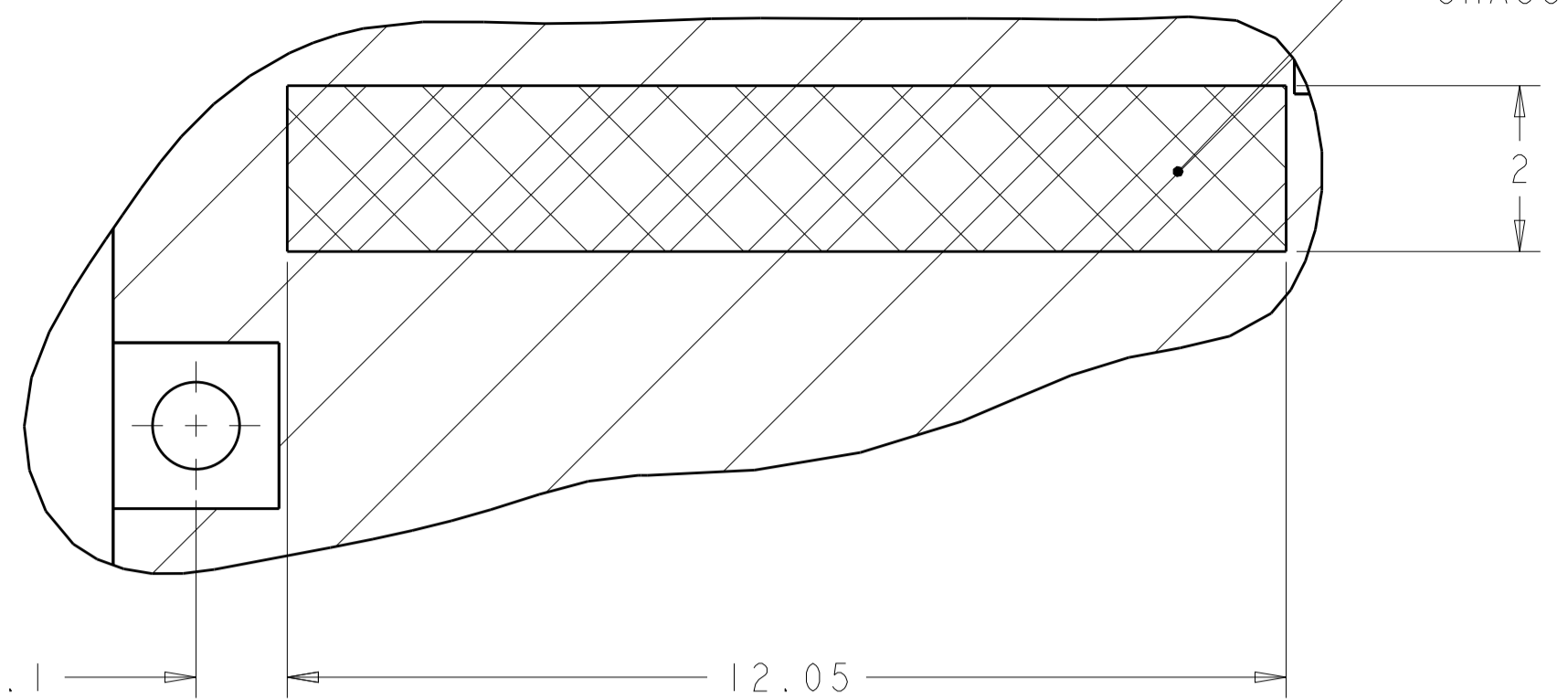
DETAIL F
RECOMMENDED PT CONNECTOR LAYOUT
4X INDIVIDUALLY
SCALE 12:1

RECOMMENDED PCB CONFIGURATION
WITH KEEP-OUT AREAS
SINGLE SIDED APPLICATIONS

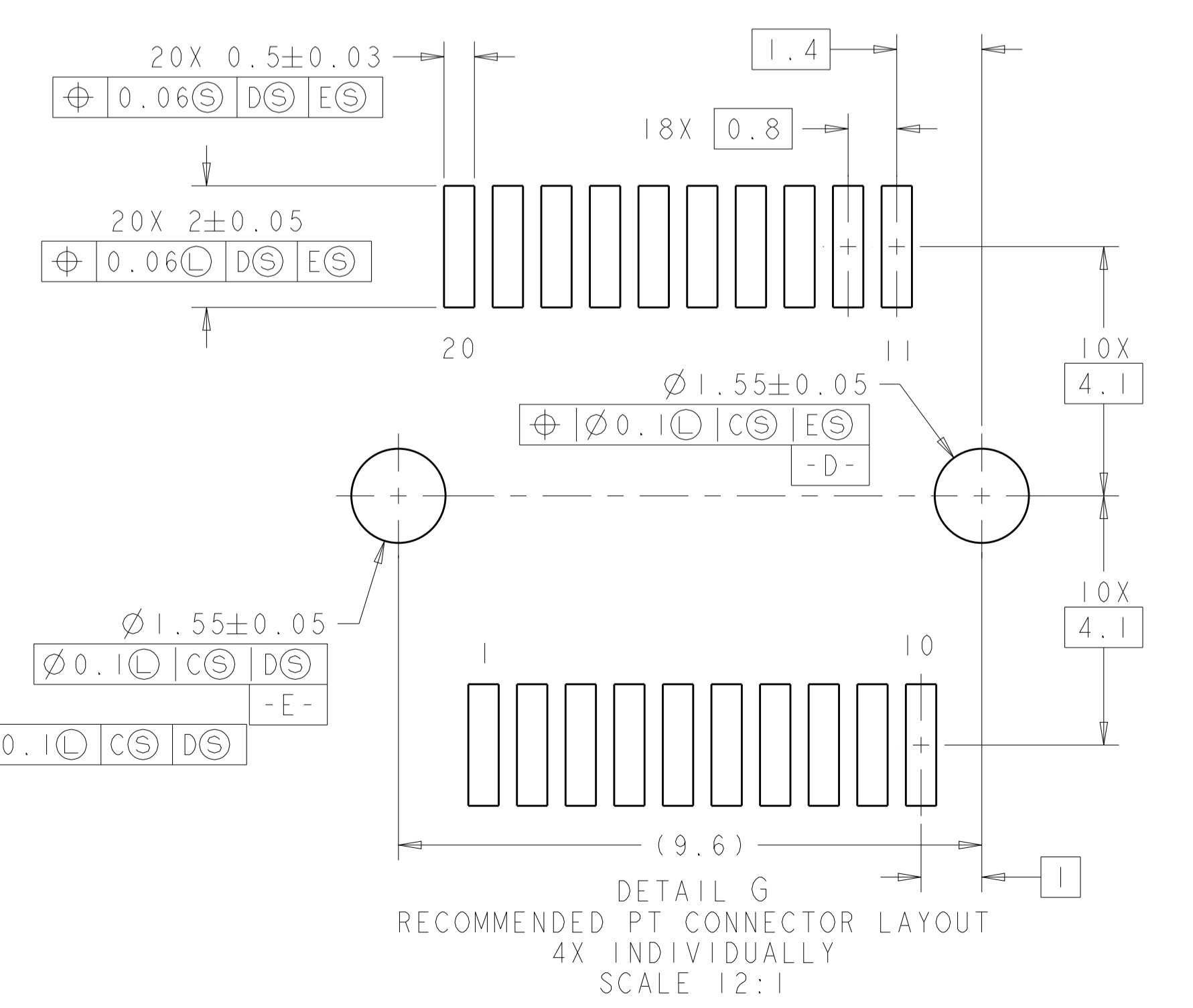
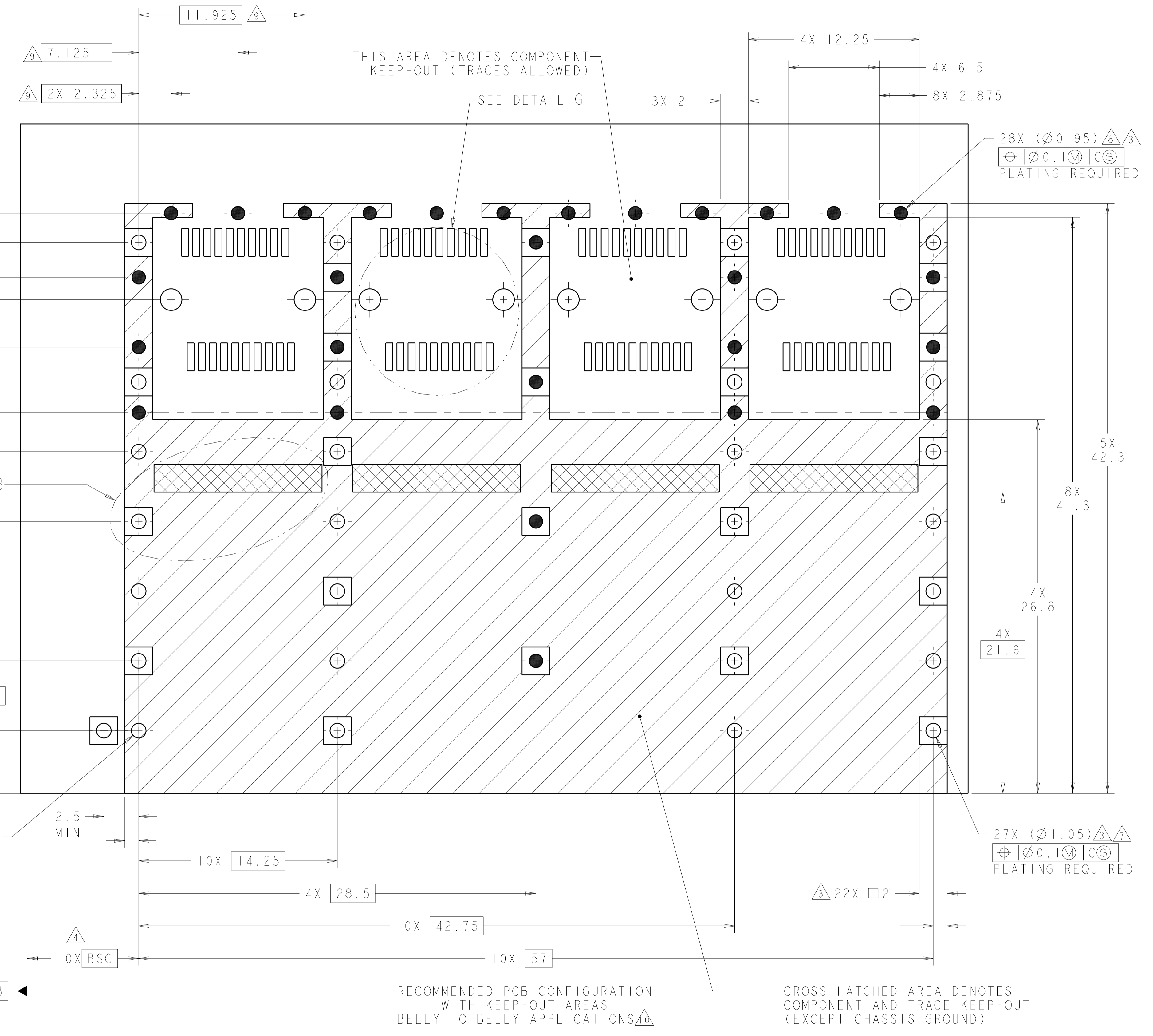
DIMENSIONS:		TOLERANCES UNLESS OTHERWISE SPECIFIED:		MATERIAL:		FINISH:		APPROVED:		CUSTOMER DRAWING:	
mm	0 PLC	±0.1	±1°	108-2364	114-13120	114-13120	114-13120				

THIS DRAWING IS A CONTROLLED DOCUMENT.		OWN: B. MATTHEWS	10DEC2010	TE Connectivity	
		CHK: M. SCHMITT	10DEC2010	NAME: SFP+ ENHANCED 1X4 CAGE ASSEMBLY PRESS FIT, EXTERNAL EMI SPRINGS	
		APVD: M. SCHMITT	10DEC2010	SIZE: CAGE CODE DRAWING NO: A1100779	
		PRODUCT SPEC: 108-2364		RESTRICTED TO:	
		APPLICATION SPEC: 114-13120		SCALE: 5:1 SHEET 3 OF 4 REV A	
		WEIGHT: -		Customer Drawing	

LOC		DIST		REVISIONS			
GP	00	P	LTN	DESCRIPTION	DATE	DWN	APVD
				SEE SHEET 1	-	-	-



DETAIL B
4X INDIVIDUALLY
SCALE 12:1



THIS DRAWING IS A CONTROLLED DOCUMENT.

DIMENSIONS:	TOLERANCES UNLESS OTHERWISE SPECIFIED:	DWN: B. MATTHEWS	10DEC2010	TE Connectivity
mm	0 PLC ±0.1	CHK: M. SCHMITT	10DEC2010	NAME: SFP+ ENHANCED 1X4 CAGE ASSEMBLY PRESS FIT, EXTERNAL EMI SPRINGS
	1 PLC ±0.1	APVD: M. SCHMITT	10DEC2010	
	2 PLC ±0.1			SIZE: CAGE CODE DRAWING NO. RESTRICTED TO
	3 PLC ±0.1			A100779C-2169260
	4 PLC ±0.1			SCALE 5:1 SHEET 4 OF 4 REV A
	ANGLES ±1°			
MATERIAL:	FINISH:	WEIGHT:		
Customer Drawing				