

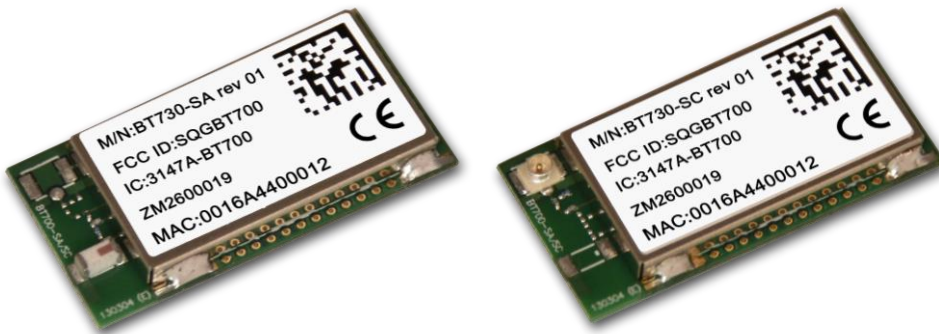


Class 1 Bluetooth v2.0 Module

HARDWARE INTEGRATION GUIDE

VERSION 1.4

Part # BT730-SA, BT730-SC



Americas: +1-800-492-2320 Option 2
Europe: +44-1628-858-940
Hong Kong: +852-2923-0610
www.lairdtech.com/bluetooth

REVISION HISTORY

Revision	Revision Date	Description	Approved By
1.0	19 June 2013	Initial Release	Jonathan Kaye
1.1	23 June 2013	Replaced "PCB Land Pattern and Antenna Keep-out for BT730-SA" image Fixed incorrect text	Jonathan Kaye
1.2	30 August 2013	Updated table captions Removal of OBEX Client Updated Bluetooth SIG Approvals	Jonathan Kaye
1.3	30 September 2013	Updated BT730-SA placement on host PCB image	Jonathan Kaye
1.4	06 Feb 2014	Updated Bluetooth SIG Qualification section	Jonathan Kaye

CONTENTS

Revision History	2
Contents	3
Overview and Key Features	4
Features & Benefits	4
1 Specifications	5
1.1 Detailed Specifications	5
2 Hardware Specifications	7
2.1 Block Diagram and Pin-out	7
2.2 Pin Definitions	8
2.3 Electrical Specifications	10
3 IO Characteristics	12
3.1 Power Consumption	12
3.2 Typical Current Consumption in mA	12
4 Functional Description	13
4.1 UART Interface	13
4.2 SPI Bus	14
4.3 PCM Interface	14
4.4 General Purpose I/O and ADC	14
4.5 BT730-SA On-board Chip Antenna Characteristics	15
5 Hardware Integration Suggestions	16
5.1 Circuit	16
5.2 PCB Layout on Host PCB - General	16
5.3 PCB Layout on Host PCB for BT730-SA	17
5.4 External Antenna Integration with BT730-SC	19
6 Mechanical Details	20
6.1 BT730-SC Mechanical Details	20
6.2 BT730-SA Mechanical Details	20
6.3 BT730 Pad Definitions – Mechanical Drawing	21
6.4 PCB Land Pattern and Antenna Keep-out for BT730-SA	22
7 Application Note for Surface Mount Modules	23
7.1 Introduction	23
7.2 Shipping	23
7.3 Reflow Parameters	24
8 Regulatory Statements	25
8.1 FCC	25
8.2 Power Exposure Information	25
8.3 OEM Responsibilities	26
8.4 Industry Canada (IC) Warning:	27
8.5 CE Regulatory	28
9 EU Declarations of Conformity	29
9.1 BT730-SA	29
9.2 BT730-SC	30
10 Bluetooth SIG Qualification	31
10.1 Additional Assistance	31
11 Ordering Information	32
11.1 General Comments	32

OVERVIEW AND KEY FEATURES

Every BT730 series Bluetooth® module from Laird Technologies is designed to add robust, long-range Bluetooth data connectivity to any device. Based on the market-leading Cambridge Silicon Radio (CSR) BC04 chipset, BT730 modules provide exceptionally low power consumption with outstanding Class 1 range via 18 dBm of transmit power. A broad range of Bluetooth profiles and other vital features make BT730 modules superior to other Bluetooth modules.

With a compact footprint of 15.29 x 28.71 mm, the modules deliver maximum range with minimum size. Another integration advantage is the inclusion of a complete Bluetooth v2.0 protocol stack with support for multi-point connections and numerous Bluetooth profiles including Serial Port Profile (SPP), Dial Up Networking (DUN), FTP Client plus partial support for Headset (HSP) and HandsFree (HFP). BT730 modules are fully qualified as Bluetooth end products, enabling designers to integrate the modules in devices without the need for further Bluetooth qualification.

An integrated AT command processor interfaces to the host system over a serial port using an extensive range of AT commands. The AT command set abstracts the Bluetooth protocol from the host application, saving many months of programming and integration time. It provides extremely short integration times for data oriented Bluetooth applications.

The included firmware provides programming support for multi-point applications that use up to three simultaneous data connections to and from the robust BT730 module. A low-cost developer's kit makes it easy for an OEM to integrate the module and guarantees the fastest route to prototype and then mass production.

Features & Benefits

- Bluetooth v2.0
- External or internal antennas
- Comprehensive AT command set
- Bluetooth EPL
- Compact footprint
- Class 1 output - 18dBm
- UART interface with GPIO, PCM, and ADC lines
- Industrial temperature range
- Field proven firmware used on BTM40x and BISM II product ranges

Application Areas

- Medical devices
- ePOS terminals
- Automotive diagnostic equipment
- Barcode scanners
- Industrial cable replacement

Bluetooth Profiles Support

- Serial Port Profile (SPP)
- Dial Up Networking (DUN)
- FTP Client
- partial support for Headset (HSP) and Hands Free (HFP)

1 SPECIFICATIONS

1.1 Detailed Specifications

Table 2.2.1.1: Detailed specifications

Categories	Feature	Implementation
Wireless Specification	Bluetooth®	V2.0
	Frequency	2.402 - 2.480 GHz
	Bluetooth Transmitter Class	Class 1 (Basic Rate BT)
	Max Transmit Power	18 dBm into integrated antenna (BT730-SA) 16 dBm into UFL antenna connector (BT730-SC)
	Min Transmit Power	-9 dBm into integrated antenna -9 dBm into UFL antenna connector
	Receive Sensitivity	Better than -87 dBm (at 25 °C)
	Range	Up to 1000m (Line of Sight)
	Data Rates	Up to 1.0 Mbps (over the air)
	UART Data Transfer Rate	Circa 300 kbps
Host Interface	UART	One UART TX, RX, DCD, RI, DTR, DSR, CTS, RTS ¹ Default 9600, n,8, 1 From 1,200 to 921,600 bps
	GPIO	8 configurable lines
	ADC	Two ADC channels, 8 bit resolution
	PCM	One PCM interface – see Audio section PCM_CLK, PCM_IN, PCM_SYNC, PCM_OUT
Profiles	SPP	Serial Port Profile
	DUN	Dial Up Networking
	FTP Client	File Transfer Client Profile
	HFP & HSP (Audio Gateway)	Hands Free & Headset
Command Interfaces	Operation Modes	AT Command Set Multi-Point API - 3 simultaneous connections
	Firmware Upgrade	Firmware Upgrade over UART
Audio	Support SCO Channels PCM Interface	3 x PCM Channels @ 64 kbps SCO and eSCO Configurable as master or slave 8 bit A-law 8 bit μ -law 13 bit linear PCM Clock available when in slave mode
Supply Voltage	Supply	3.3 – 5.0 V On-board regulators and brown-out detection. GPIO voltages are 3.3V logic.

Class 1 Bluetooth v2.0 Module

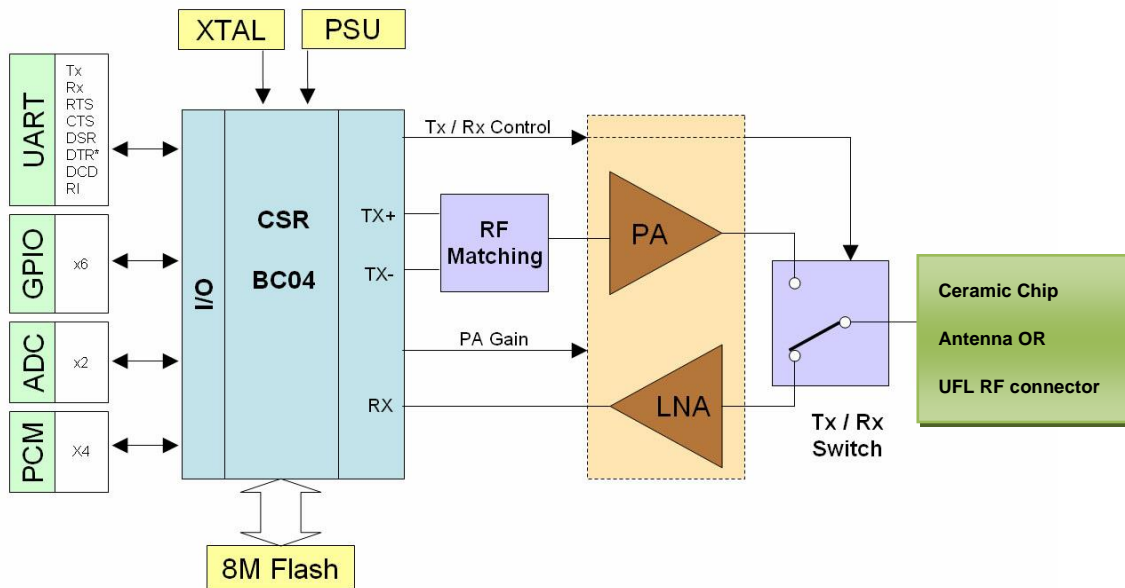
Hardware Integration Guide

Categories	Feature	Implementation	
Power Consumption	Various Modes – Typical values (see Power Consumption section for test conditions)	Idle mode	1.25 mA
		Discoverable	2.7 mA to 55 mA
		Inquiry mode	65 mA
		Connecting mode	66 mA
		Connected mode (no data transfer)	6 mA
		Connected mode (max data transfer)	35 mA
		Sniff mode	1.8 mA
Antenna Options	Internal	Multilayer ceramic chip - BT730-SA	
	External	Connection via u.FL - BT730-SC	
Physical	Connections	Surface Mount Pads (1.2mm pitch)	
	Dimensions	15.29 mm x 28.71 mm x 2.5 mm	
	Weight	1.5 g	
Environmental	Operating	-40°C to +85°C	
	Storage	-40°C to +85°C	
Miscellaneous	Lead Free	Lead-free and RoHS compliant	
	Warranty	5-Year Limited Lifetime	
Development Tools	Development Kit	Development kit DVK-BT730 and software tools	
Approvals	Bluetooth®	End Product Listing (EPL)	
	FCC / IC / CE	All BT730 Series	

1. DSR, DTR, RI and DCD are configurable either as GPIO or as modem control lines.

2 HARDWARE SPECIFICATIONS

2.1 Block Diagram and Pin-out



* DTR can be configured as a seventh GPIO

Figure 1: Functional Block Diagram

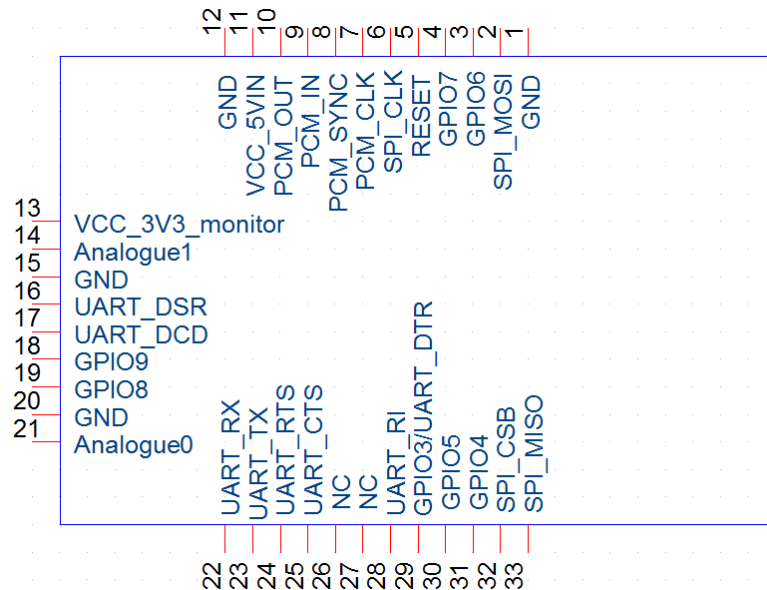


Figure 2: BT730-Sx module pin-out (Top View)

2.2 Pin Definitions

Table 2.2.1.1: Pin definitions

Pin	Signal	Description	Comment
1	GND		
2	SPI_MOSI	SPI bus serial I/P	See Note 2
3	GPIO6	I/O for host	
4	GPIO7	I/O for host	
5	nRESET	Module reset I/P	See Note 3
6	SPI_CLK	SPI bus clock I/P	See Note 2
7	PCM_CLK	PCM clock I/P	
8	PCM_SYNC	PCM sync I/P	
9	PCM_IN	PCM data I/P	
10	PCM_OUT	PCM Data O/P	
11	VCC_IN	3.3 V < VCC_IN < 5.0 V	See Note 4
12	GND		
13	VCC_3V3_monitor	3.3 V Monitor (do not connect)	See Note 5
14	Analogue 1	1.8 V max	
15	GND		
16	UART_DSR	UART_DSR I/P	
17	UART_DCD	UART_DCD I/P or O/ P	
18	GPIO_9	I/O for host	
19	GPIO_8	I/O for host	
20	GND		
21	Analogue 0	1.8 V max	
22	UART_RX	Receive data I/P	
23	UART_TX	Transmit data O/P	
24	UART_RTS	Request to Send O/P	
25	UART_CTS	Clear to Send I/P	
26	NC (Reserved USB_D+)	Not used for AT module variants	
27	NC (Reserved USB_D-)	Not used for AT module variants	
28	UART_RI	Ring Input or Output	
29	GPIO_3/UART_DTR	I/O for host/UART_DTR	
30	GPIO_5	I/O for host	
31	GPIO_4	I/O for host	
32	SPI_CSB	SPI bus chip select I/P	See Note 2
33	SPI_MISO	SPI bus serial O/P	See Note 2

Notes:

1. Unused pins may have internal connections and must not be connected.
2. Pins 2, 6, 32, and 33 (SPI related) are *only* for Laird internal production purposes.
3. Power-on-reset (power cycling and brown out consideration) – The reset circuitry within the BT730 module incorporates a brown-out detector; this may simplify power supply design. The BT730 reset line is an active low input (Input debounced so must be low for more than 5 ms to cause a reset). Upon the application of power, the Power On Reset circuit built into the module ensures that the unit starts correctly. There is no need for an external power reset monitor.
4. Power Supply Consideration – The power supply for the module should be a single voltage source of VCC within the VCC_IN range of 3.3 V to 5.0 V. It must be able to provide sufficient current in a transmit burst. This can rise to 200 mA. To limit dissipation it is recommended that you use a voltage at the lower end of the range.
5. The module includes regulators to provide internal local 3.3 V. This rail is accessible on pin 13 for monitoring purposes only. Under no circumstances should this pin be used to source current.

2.2.1 COMPATIBILITY NOTE FOR LEGACY DEVICES

If **Reset compatibility is required with BTM402 and BTM404**: Reset logic must be inverted (on the host PCB), by using suitable BJT (MMBT3904) with collector connected to Reset pin BT730 module pin 5. A fixed 10k Ohm pull down resistor to ground (BJT input) then ensures that the BT730 module is out of reset for the condition when host has yet to control the reset line.

Add a 10 k pull-up to the host PCB on the UART_RX, otherwise the module will remain in deep sleep if not driven to high.

Add a 10 k pull-down to the host PCB on the UART_CTS that if it is not connected (which we do not recommend) then the default state for UART_CTS input will be asserted which means can send data out of UART_TX line.

-
- GPIO lines can be configured through software to be either inputs or outputs with weak or strong pull-ups or pull-downs. At reset, all GPIO lines are configured as inputs with weak pull-downs.
 - UART_RX, UART_TX, UART_CTS, UART_RTS, UART_RI, UART_DCD, and UART_DSR are 3.3 V level logic. For example, when RX and TX are idle they sit at 3.3 V. Conversely, for handshaking pins CTS, RTS, RI, DCD, and DSR, a 0 V is treated as an assertion.
 - Pin 28 (UART_RI) is active low. It is normally 3.3 V. When a remote device initiates a connection, this pin goes low. This means that when this pin is converted to RS232 voltage levels it has the correct voltage level for assertion.
 - Pin 17 (UART_DCD) is active low. It is normally 3.3 V. When a connection is live, this pin is low. This means that when this pin is converted to RS232 voltage levels it has the correct voltage level for assertion.
 - Pin 16 (UART_DSR) is an input, with active low logic. It should be connected to the DTR output of the host. When the BTM730 module is in high speed mode (see S Register 507 in the [Firmware User manual](#)), this pin should be asserted by the host to ensure that the connection is maintained. A deassertion means that the connection should be dropped or an online command mode is being requested.
 - Pin 13 (VCC_3V3 monitor) may only be used for monitoring purposes. It must not be used as a current source.

Class 1 Bluetooth v2.0 Module

Hardware Integration Guide

- The GPIO pins can be accessed using S Registers 623 to 629.
- GPIO3 is also used for DTR output (active low). See S Register 552 and 553 in the [Firmware User manual](#).
- Analogue 0 and 1 should not exceed 1.8 V and S Registers 701 and 702 are used to access them.

2.3 Electrical Specifications

2.3.1 Absolute Maximum ratings

Absolute maximum ratings for supply voltage and voltages on digital and analogue pins of the module are listed below; exceeding these values will cause permanent damage.

Table 2.3.1.1: Absolute Maximum Ratings

Parameter	Min	Max	Unit
Peak current of power supply	0	200	mA
Voltage at digital pins	-0.4	3.7	V
Voltage at POWER pin	2.9	6.0	V

2.3.2 Recommended Operating Parameters

Table 2.3.2.1: Power Supply

Signal Name	Pin No	I/O	Voltage level	Comments
VCC_IN	11	I	3.3 V to 5.0 V * Typ 3.5 V	I _{typ} = 115 mA
GND	1, 12, 15, 20			Four (4) ground terminals to be attached in parallel.
VCC_3V3_monitor	13	O	3.3 V typical	For monitoring only. No current source.

Note: VCC_3V3_monitor refers to internal voltage generated by the LDO inside the module which is typically 3.3 V. So to achieve 3.3 V for VCC_3V3_monitor (at Max Tx Power) requires VCC_IN of 3.5 V. IO voltage levels follows VCC_3V3_monitor. At minimum VCC_VIN of 3.3 V, the internal LDO generates 3.3 V but when Radio Tx at max Tx power, VCC_3V3_monitor drops a little (to ~3.15 V).

Table 2.3.2.2: Signal Levels for Interface, PCM, SPI, and GPIO

Signal Type	Signal level	Signal level @ 0 mA load
Input	VILmin= -0.4 V	
	VILmax=0.8 V	
	VIHmin=2.3 V	
	VIHmax=3.7 V	
Output		VOLmax=0.2 V
		VOHmin=3.1 V

Class 1 Bluetooth v2.0 Module

Hardware Integration Guide

Table 2.3.2.3: UART Interface

Signal Name	Pin No	I/O	Comments
UART_TX	23	O	
UART_RX	22	I	
UART_CTS	25	I	
UART_RTS	24	O	
UART_DSR	16	I	
UART_DTR	29	O	Shared with GPIO3
UART_RI	28	I or O	Direction may be programmed.
UART_DCD	17	I or O	Direction may be programmed.

Table 2.3.2.4: SPI Bus

Signal Name	Pin No	I/O	Comments
SPI_MOSI	2	I	
SPI_MISO	33	O	Laird INTERNAL USE ONLY - Used to reprogram Flash in Laird production.
SPI_CSB	32	I	
SPI_CLK	6	I	

Table 2.3.2.5: PCM Interface

Signal Name	Pin No	I/O	Comments
PCM_CLK	7	I or O	
PCM_IN	9	I	If unused keep pins open.
PCM_SYNC	8	I or O	PCM output signals are tri-stated when there is not an active SCO or eSCO connection.
PCM_OUT	10	O	

Table 2.3.2.6: General Purpose I/O and ADC

Signal Name	Pin No	I/O	Signal level	Comments
GPIO_3 - 9	3, 4, 16, 17, 18, 19, 29, 30, 31	I or O	See 3.3.2.2	
Analogue0, Analogue1	14, 21	I	Range 0 – 1.8 V	8 bit

Table 2.3.2.7: Miscellaneous

Signal Name	Pin No	I/O	Signal level	Comments
nRESET	5	I	$V_{i,max}=1.0V$ $V_{iH,min}=2.3V$	Active LOW. The Reset input contains a 10 k Ω pull-up resistor (internal to module).

3 IO CHARACTERISTICS

3.1 Power Consumption

The current drain from the VCC power input line is dependent on various factors. The three most significant factors are the voltage level at VCC, UART baud rate, and the operating mode. The hardware specification for the module allows for a voltage range of 3.3 to 5.0 at VCC. The unit includes a linear regulator and tests have shown that there is no significant difference in current draw when VCC changes within the operating limits. Tests have shown that where power dissipation is an issue, it is best to keep VCC at the lower end of the range.

The UART baud rate has a bearing on power dissipation because, as is normal for digital electronics, the power requirements increase linearly with increasing clocking frequencies. Because of this, higher baud rates result in a higher current drain. Finally, the significant operating modes are: idle, waiting for a connection, inquiring, initiating a connection, sniff, and connected. With connected mode, it is also relevant to differentiate between no data being transferred and when data is being transferred at the maximum rate possible. The AT command set document describes how to configure the module for optimal power performance.

3.2 Typical Current Consumption in mA

Table 4-2: Current Consumption

VCC_IN = 3.8 V, Baudrate = 9600 bps Separation Distance = 15 meters	Typical Average Current (mA)
Idle Mode, S512=1	1.25 mA
Wait for Connection Or Discoverable Mode, AT+BTP S508=S510=640, S509=S511=320	55 mA
Wait for Connection Or Discoverable Mode, AT+BTP S508=S510=1000, S509=S511=11	2.7 mA
Inquiry Mode, AT+BTI	65 mA
Connecting Mode (ATDxxx)	66 mA
Connected Mode (No Data Transfer)	6 mA
Connected Mode (Max Data Transfer)	35 mA
Sniff Mode S564=1000, S563=500, S562=50, S561=10	1.8 mA

4 FUNCTIONAL DESCRIPTION

The BT730 Bluetooth module is a self-contained Bluetooth product and requires only power to implement full Bluetooth communication. The integrated, high performance antenna, together with the RF and base-band circuitry, provides the Bluetooth wireless link; the UART interface provides a connection to the host system.

The variety of interfaces and the AT command set allow the BT730 module to be used for a wide variety of long range wireless applications, from simple cable replacement to complex multipoint applications, where multiple radio links are active at the same time.

The complexity and flexibility of configuration are made simple for the design engineer by the integration of a comprehensive set of AT commands, supplemented with a range of "S" registers which are used for non-volatile storage of system parameters.

To provide the widest scope for integration, a range of different physical host interfaces are provided.

4.1 UART Interface

UART_TX, UART_RX, UART_RTS, and UART_CTS form a conventional asynchronous serial data port with handshaking. The interface is designed to operate correctly when connected to other UART devices such as the 16550A. The signalling levels are nominal 0 V and 3.3 V and are inverted with respect to the signalling on an RS232 cable. The interface is programmable over a variety of bitrates; no, even, or odd parity; stop bit and hardware flow control. The default condition on power-up is pre-assigned in the external flash. Two-way hardware flow control is implemented by UART_RTS and UART_CTS. UART_RTS is an output and is active low. UART_CTS is an input and is active low.

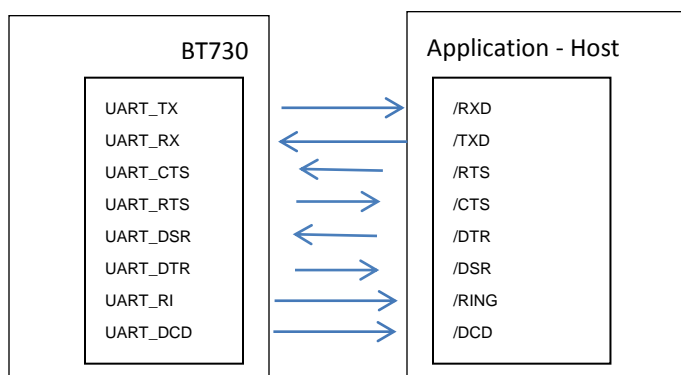
These signals operate according to normal industry convention. UART_RX, UART_TX, UART_CTS, UART_RTS, UART_RI, UART_DCD, and UART_DSR are all 3.3 V level logic. For example, when RX and TX are idle, they sit at 3.3 V. Conversely for handshaking pins CTS, RTS, RI, DCD, and DSR, a 0 V is treated as an assertion.

By writing different values to the relevant S register, the UART_RI can be continuously polled to detect incoming communication. The UART_RI signal serves to indicate incoming calls.

UART_DSR is an active low input. It should be connected to DTR output of the host. When the module is running in high speed mode (see definition for S Reg 507 in the [Firmware User manual](#)), this pin should be asserted by the host to ensure connection is maintained. A de-assertion means that the connection should be dropped or an online command mode is being requested.

The module communicates with the customer application using the following signals:

- Port /TXD of the application sends data to the module's UART_RX signal line
- Port /RXD of the application receives data from the module's UART_TX signal line



Note: The serial module output is at 3.3 V CMOS logic levels. Level conversion must be added to interface with an RS-232 level compliant interface.

Some serial implementations link CTS and RTS to remove the need for handshaking. Laird does not recommend linking CTS and RTS other than for testing and prototyping. If these pins are linked and the host sends data at the point that the BT730 deasserts its RTS signal, then there is a significant risk that internal receive buffers will overflow; this could lead to an internal processor crash. This also leads to a drop in connection and may require a power cycle to reset the module. Laird recommends that the correct CTS/RTS handshaking protocol be followed for proper operation.

4.2 SPI Bus

The module is a slave device that uses terminals SPI_MOSI, SPI_MISO, SPI_CLK, and SPI_CSB. This interface is used for program firmware updates ONLY at the factory. Laird supplies a PC-based utility to allow a firmware upgrade over the UART port. It is highly recommended that customers use the UART method for updating firmware.

Note: The designer should be aware that no security protection is built into the hardware or firmware associated with this port, so the terminals should not be permanently connected in a PC application.

4.3 PCM Interface

PCM_OUT, PCM_IN, PCM_CLK, and PCM_SYNC carry up to three bi-directional channels of voice data, each at 8 k samples/s. The format of the PCM samples can be 8-bit A-law, 8-bit μ -law, 13-bit linear, or 16-bit linear. The PCM_CLK and PCM_SYNC terminals can be configured as inputs or outputs, depending on whether the module is the master or slave of the PCM interface. Please contact a Laird FAE for further details.

The module is compatible with the Motorola SSI TM interface and interfaces directly to PCM audio codec chips including the following:

4.3.1 Compatible Codec Chips

- OKI 7702 single channel A-law and μ -law CODEC
- Winbond W681360 13 bit linear CODEC

4.4 General Purpose I/O and ADC

4.4.1 GPIO

Seven lines of programmable bi-directional input/outputs (I/O) are provided that can be accessed either via the UART port or Over-the-Air (OTA) from a second Bluetooth unit. These can be used as data inputs or to control external equipment. By using these in OTA mode, a BT730 module can be used for control and data acquisition without the need for any additional host processor. Each of the GPIO[3:9] ports can be independently configured to be either an input or output. A selection of ports can be accessed synchronously.

The ports are powered from internal VCC_3V3. The mode of these lines can be configured and the lines are accessed via S Registers 623 to 629.

4.4.2 ADC

The BT730 provides access to two 8-bit ADCs (Analogue 0 and 1). These provide an input range of 0 mV to 1,800 mV, which can be read using the S registers 701 and 702.

Suitable external scaling and over-voltage protection should be incorporated in your design. The module provides five samples per second at the UART with a baud rate of 115,200 or above.

4.5 BT730-SA On-board Chip Antenna Characteristics

The BT730-SA on-board chip monopole antenna radiated performance depends on the host PCB layout.

BT730 carrier board was used for BT730-SA development and antenna performance evaluation. To obtain similar performance, follow the guidelines in [PCB Layout on Host PCB for BT730-SA](#) to allow the on-board antenna to radiate and reduce proximity effects due to nearby host PCB GND copper or metal covers.

BT730-SA on-board antenna datasheet can be accessed from the following link:

http://www.acxc.com.tw/product/at3216/AT3216-B2R7HAA_071204.pdf

5 HARDWARE INTEGRATION SUGGESTIONS

5.1 Circuit

The BT730 series module is easy to integrate requiring no external components on the customer's board apart from those required by customer for development and in customers end application.

Checklist (for the schematic):

- **VCC_IN:** External power source within the operating range specification of BT730-Sx. Add decoupling (or bulk) capacitors for filtering (or reservoir) the external source. Power-on reset circuitry within BT730-Sx series module incorporates brown-out detector, thus simplifying power supply design. Upon application of power, the internal power-on reset ensures module starts correctly.
- **AIN (ADC) and GPIO (or UART) pin IO voltage levels:** BT73-Sx GPIO voltage levels are at VCC_3V3_monitor pin (see section 2.3). Ensure input voltage levels into GPIO pins are at VCC_3V3_monitor voltage levels. Ensure ADC pin maximum input voltage (1.8 V) for damage is not violated.
- **UART:** Is required. Add connector to allow UART to be interfaced to PC (via UART –RS232 or UART-USB).
- **UART_RX and UART_CTS:** Add a 10 k pull-up to the host PCB on the UART_RX, otherwise the module remains in deep sleep if not driven to high. The pull-up prevents the module from going into deep sleep when UART_RX line is idling.

Add a 10 k pull-down to the host PCB on the UART_CTS that, if it is not connected (which we do not recommend) then the default state for UART_CTS input will be asserted which means can send data out of UART_TX line.

- **nRESET pin (active low):** Hardware reset. Wire out to push button or drive by host. If used external reset must be exerted for a minimum of 5 mS. By default, the module is out of reset when power is applied to the VCC pin.
- **PCM:** All four PCM signals are routed directly from chipset to external BT730-Sx module pins. It is then up to customer to configure appropriately. A 4.7 k pull down resistor to ground on PCM_OUT may help resolve audio noise problems when chipset PCM_OUT line tristates.

5.2 PCB Layout on Host PCB - General

Checklist (for PCB):

- MUST locate the BT730-SA module close to the edge of PCB (mandatory for BT730-SA for on-board chips antenna to radiate properly).
- Use solid GND plane on inner layer (for best EMC and RF performance).
- Place GND vias as close to module GND pads as possible.
- Unused host PCB area on surface layer can be flooded with copper but place GND vias regularly to connect copper flood to inner GND plane. If GND flood copper underside the module then connect with GND vias to inner GND plane.
- Route traces to avoid noise being picked up on VCC_IN supply, Analogue and GPIO (digital) traces.
- Ensure there is no exposed copper on the underside of the module (refer to land pattern drawing of BT730-Sx).

5.3 PCB Layout on Host PCB for BT730-SA

5.3.1 Antenna keep-out on host PCB

The BT730-SA has an integrated chip antenna and its performance is sensitive to the host PCB. It is critical to locate the BT730-SA on the edge of the host PCB (or corner) to allow the antenna to radiate properly. Refer to guidelines in the section [PCB Land Pattern and Antenna Keep-out area for BT730-SA](#). Some of the guidelines are repeated below.

- Ensure there is no copper in the antenna keep-out area on any layers of the host PCB. Keep all mounting hardware and metal clear of the area to allow proper antenna radiation.
- For best antenna performance, place the BT730-SA module on the edge of the host PCB, preferably in the corner with the antenna facing the corner. An example shown in [Figure 3](#).
- A different host PCB thickness dielectric will have small effect on antenna (the BT730 carrier development board (used for antenna performance evaluation) thickness was 0.78 mm).
- The antenna-keep-out defined in [PCB Land Pattern and Antenna Keep-out area for BT730-SA](#) applies when the BT730-SA is placed in the corner of the host PCB. When BT730-SA cannot be placed as such, it must be placed on the edge of the host PCB and a modified antenna keep out must be observed. This antenna keep-out modification is shown in [Figure 4](#) (antenna keep-out is extended by 8 mm on both sides).

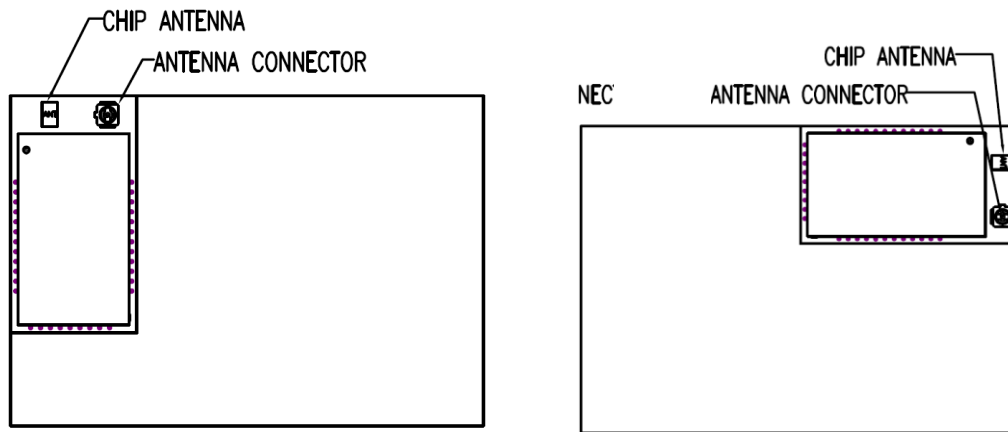


Figure 3: BT730-SA placement in the corner of host PCB.

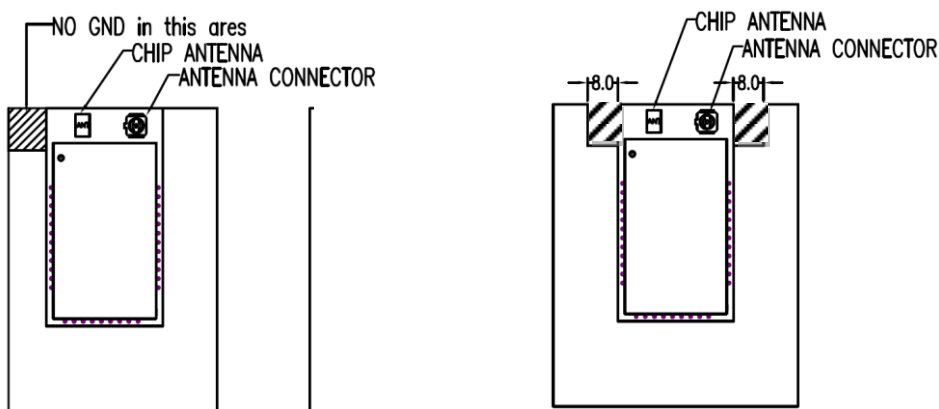


Figure 4: BT730-SA placement in the edge (not corner) of host PCB (with modified antenna keep-out).

Note: Copper cut-away on all layers in “antenna keep-out” area under BT730-SA module on host PCB. Refer to “antenna keep-out” defined in section [6.4 PCB Land Pattern and Antenna Keep-out for BT730-SA](#).

5.3.2 Antenna Keep-out and Proximity to Metal or Plastic

Checklist (for metal /plastic enclosure):

- Figure 12A and 12B shows recommended and not recommended locations for metal with respect to a BT730-SA module on-board antenna.
- Minimum safe distance for metals without seriously compromising the antenna (tuning) is 40 mm top/bottom and 30 mm left or right.
- Metal close to the BT730-SA chip monopole antenna (bottom, top, left, right, any direction) will have degradation on the antenna performance. The amount of degradation is entirely system dependent which means some testing by customer is required (in their host application).
- Anything metal closer than 20 mm starts to significantly degrade performance (S11, gain, radiation efficiency).
- It is best that the customer tests the range with a mock-up (or actual prototype) of the product to assess effects of enclosure height (and material, whether metal or plastic).

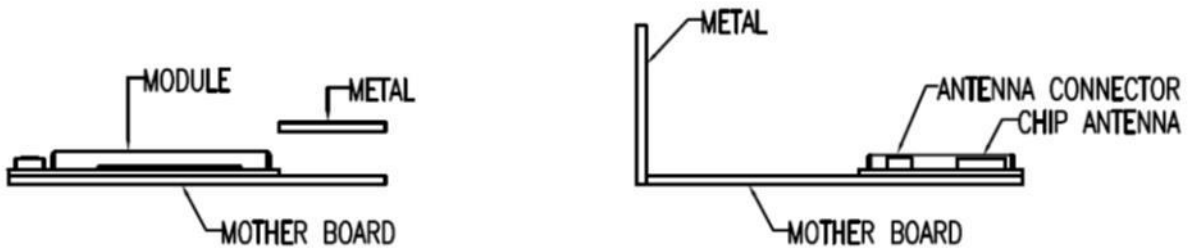


Figure 5: Recommended BT730-SA placement on host PCB and proximity to metal cover

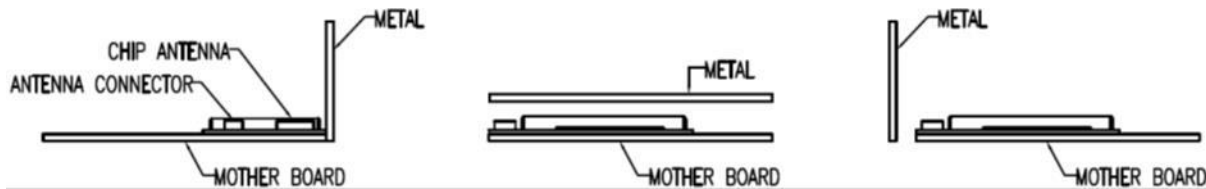


Figure 6: Not recommended BT730-SA placement on host PCB and proximity to metal cover

5.4 External Antenna Integration with BT730-SC

Refer to the regulatory sections for [FCC](#), [IC](#), and [CE](#), for details of use of BT730-SC with external antennas in each regulatory region.

The BT730-SC family has been designed to operate with the antennas listed below with a maximum gain of 2 dBi. The required antenna impedance is 50 ohms.

External antennas improve radiation efficiency.

Item	Part Number	Mfg.	Type	Gain (dBi)	Connector Type
1	MAF94045	Laird	Internal	2	UFL
2	WRR2400- IP04-B(MAF94019)	Laird	Dipole	1.5	UFL
3	WTC2450-IP04-K(MAF94006)	Laird	Dipole	2	UFL
4	S181FL-L-RMM-2450S	Nearson (Laird)	Dipole	2	UFL

Note 1: Integral RF co-axial cable with UFL connector.
Antenna manufacturer Laird contact information:
Email: wireless.support@lairdtech.com

6 MECHANICAL DETAILS

6.1 BT730-SC Mechanical Details

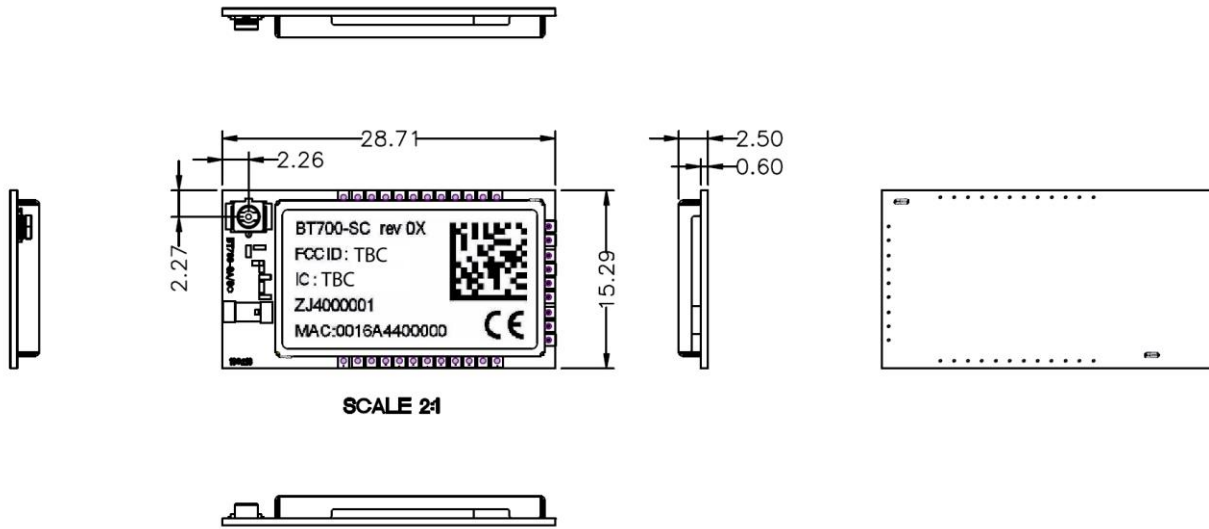


Figure 7: BT730-SC mechanical details

6.2 BT730-SA Mechanical Details

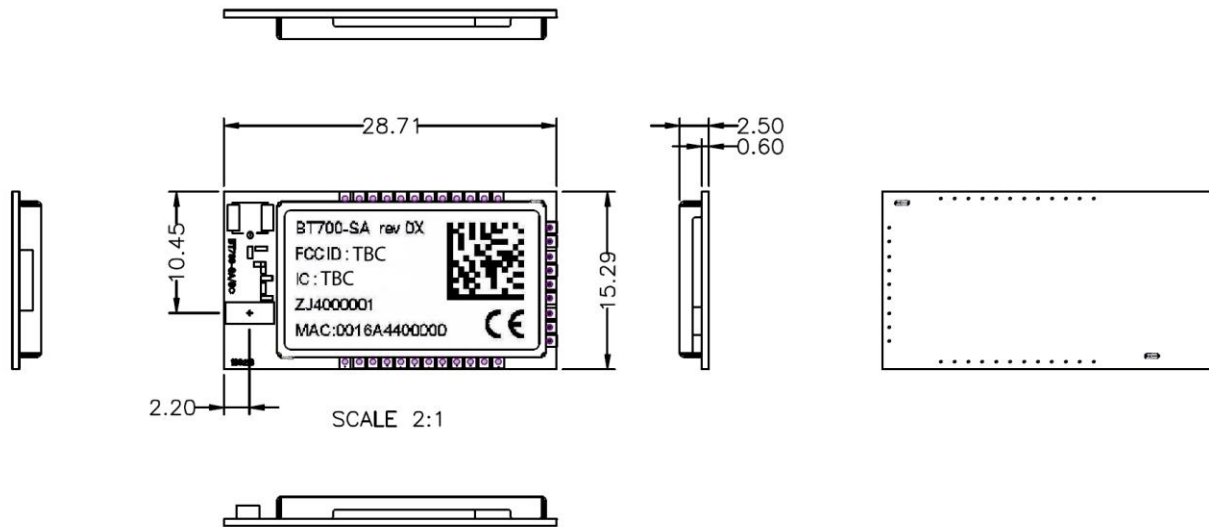
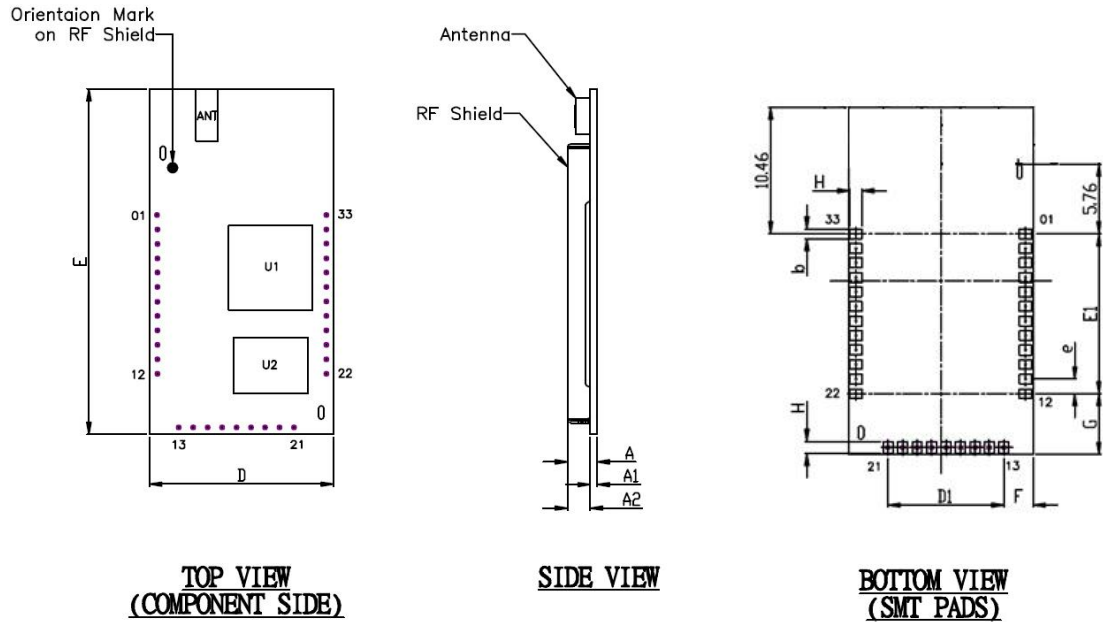


Figure 8: BT730-SA mechanical details

6.3 BT730 Pad Definitions – Mechanical Drawing



Description	BT-700			
Size	15.3 x 28.7 x 2.5 mm			
Pitch	1.2 mm			
Dimension	Minimum	Typical	Maximum	Notes
A	2.3	2.5	2.7	PCB Thickness
A1	0.5	0.6	0.7	
A2	1.8	1.9	2.0	
b	0.75	0.80	0.85	Global pad width
D	15.20	15.30	15.40	Global pitch
E	28.60	28.70	28.80	
e		1.2		
D1		9.6		Pad Center to board edge
E1		13.2		
F		2.42		
G		5.05		Pad Center to board edge
H		1.0		Global length of pad to edge of board
Units	mm			

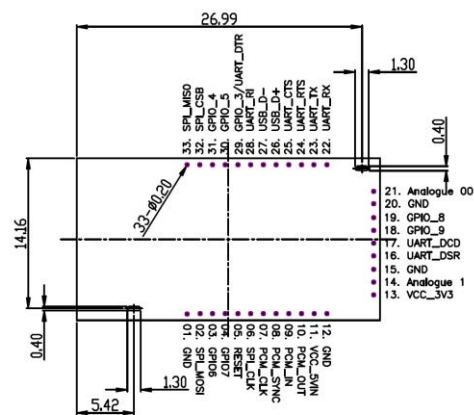


Figure 9: BT7xx Mechanical Drawing

7 APPLICATION NOTE FOR SURFACE MOUNT MODULES

7.1 Introduction

Laird surface mount modules are designed to conform to all major manufacturing guidelines. This application note is intended to provide additional guidance beyond the information that is presented in the user manual. This application note is considered a living document and will be updated as new information is presented.

The modules are designed to meet the needs of a number of commercial and industrial applications. The modules are designed to be easily manufactured and conform to current automated manufacturing processes.

7.2 Shipping

Modules are shipped in ESD (Electrostatic Discharge) safe trays that can be loaded into most manufacturers pick and place machines. Layouts of the trays are provided in [Figure 11](#).

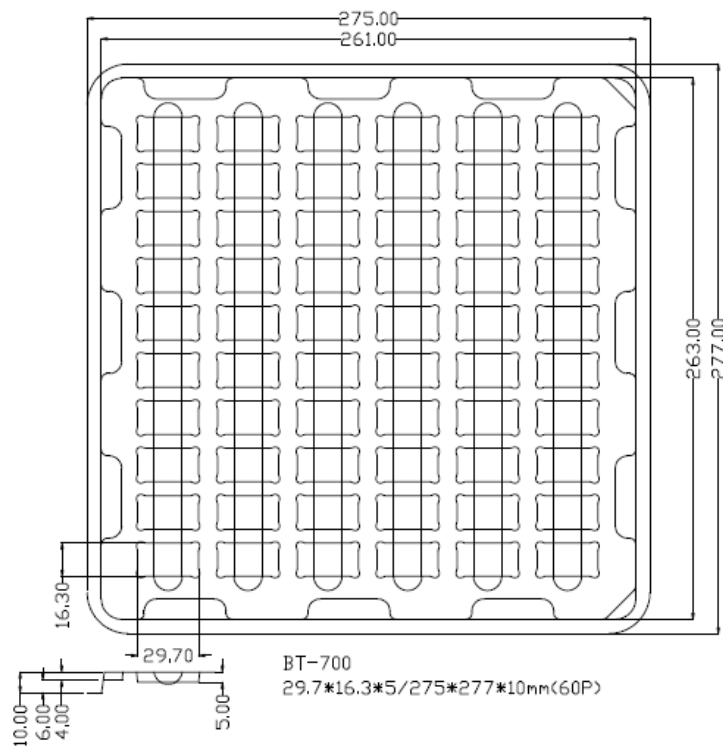


Figure 11: BT730 shipping tray details

7.3 Reflow Parameters

Laird surface mount modules are designed to be easily manufactured including reflow soldering to a PCB. It is ultimately the responsibility of the customer to choose the appropriate solder paste and to ensure oven temperatures during reflow meet the requirements of the solder paste. Laird Technologies’ surface mount modules conform to J-STD-020D1 standards for reflow temperatures.

Important: During reflow, modules should not be above 260° and not for more than 30 seconds.

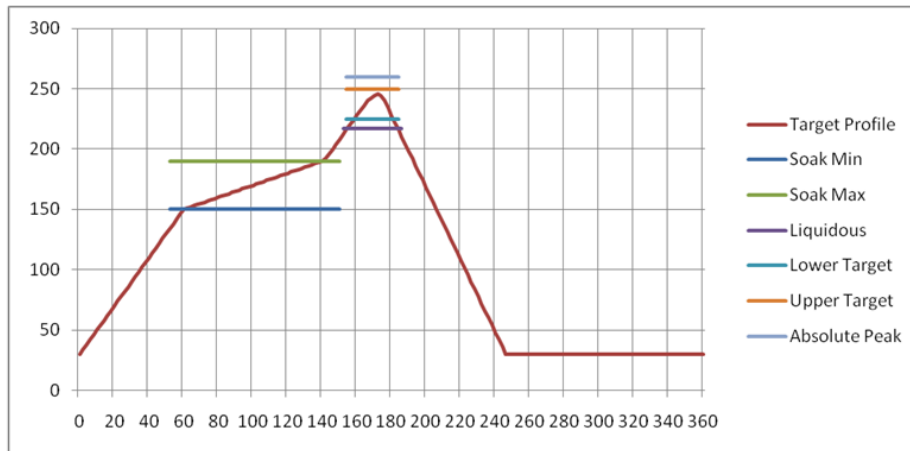


Figure 12: Recommended reflow temperature

Temperatures should not exceed the minimums or maximums presented in Table 5.3.2.1.

Table 5.3.2.1: Recommended Maximum and minimum temperatures

Specification	Value	Unit
Temperature Inc./Dec. Rate (max)	1~3	°C / Sec
Temperature Decrease rate (goal)	2-4	°C / Sec
Soak Temp Increase rate (goal)	.5 - 1	°C / Sec
Flux Soak Period (Min)	70	Sec
Flux Soak Period (Max)	120	Sec
Flux Soak Temp (Min)	150	°C
Flux Soak Temp (max)	190	°C
Time Above Liquidous (max)	70	Sec
Time Above Liquidous (min)	50	Sec
Time In Target Reflow Range (goal)	30	Sec
Time At Absolute Peak (max)	5	Sec
Liquidous Temperature (SAC305)	218	°C
Lower Target Reflow Temperature	240	°C
Upper Target Reflow Temperature	250	°C
Absolute Peak Temperature	260	°C

8 REGULATORY STATEMENTS

8.1 FCC

Family	US/FCC	CANADA/IC
BT7x0	SQGBT700	3147A-BT700

PART #	FORM FACTOR	TX OUTPUT	ANTENNA
BT730-SA-XX	Surface Mount	18 dBm	Ceramic
BT730-SC-XX	Surface Mount	16 dBm	U.FL

*Last two slots "XX" in Part # are used for production firmware release changes. Can be values 01-99, aa-zz

The BT730 family has been designed to operate with the antennas listed below with a maximum gain of 2dBi. The required antenna impedance is 50 ohms.

Item	Part Number	Mfg.	Type	Gain (dBi)
1	AT3216-B2R7HAAT	ACX	Chip	0.5
2	MAF94045	Laird	Internal	2
3	WRR2400- IP04-B(MAF94019)	Laird	Dipole	1.5
4	WTC2450-IP04-K(MAF94006)	Laird	Dipole	2
5	S181FL-L-RMM-2450S	Nearson (Laird)	Dipole	2

Note: The OEM is free to choose another vendor's antenna of like type and equal or lesser gain as an antenna appearing in the table and still maintain compliance. Reference FCC Part 15.204(c)(4) for further information on this topic. To reduce potential radio interference to other users, the antenna type and gain should be chosen so that the equivalent isotropic radiated power (EIRP) is not more than that permitted for successful communication.

8.2 Power Exposure Information

In general, there are two agency classifications for RF radiation exposure in wireless applications; portable and mobile.

Mobile – A mobile device is defined as a transmitting device designed to be used in such a way that a separation distance of at least 20 centimeters is normally maintained between the transmitter's radiating structures and the body of the user or nearby persons. The BT730 is fully modular approved for mobile and fixed applications. Reference FCC Part 2.1091 for further details on mobile devices.

This transmitter must not be co-located or operating in conjunction with any other antenna or transmitter.

Portable – Portable is a classification of equipment where the user, in general, will be within 20 cm of the transmitting antenna. Portable equipment is further broken down into two classes; within 2.5 cm of human contact and beyond 2.5 cm. The BT730 does not hold a portable approval classification due to its peak output power and modular approval restrictions. Further RF evaluation is required by customers who want to use the BT730 in portable applications. Contact a qualified test house or a Laird Technologies representative for further information on this topic. Reference FCC Part 2.1093 for further details on portable devices.

Maximum Permissible Exposure report has been created which shows the minimum distances for Public and Occupational use of the BT730.

Note: Occupational Limit Minimum Distance = 1.5 cm. Public Limit Minimum Distance = 3 cm

Note: This equipment was tested and found to comply with the limits for a Class B digital device, pursuant to Part 15 of the FCC Rules. These limits are designed to provide reasonable protection against harmful interference in a residential installation. This equipment generates, uses, and can radiate radio frequency energy and, if not installed and used in accordance with the instructions, may cause harmful interference to radio communications. However, there is no guarantee that interference does not occur in a particular installation. If this equipment does cause harmful interference to radio or television reception, which can be determined by turning the equipment off and on, the user is encouraged to correct the interference by one or more of the following measures:

- Reorient or relocate the receiving antenna
- Increase the separation between the equipment and the receiver
- Connect the equipment to an outlet on a circuit that is different from that to which the receiver is connected.
- Consult the dealer or an experienced radio/TV technician for help

CAUTION: THIS DEVICE COMPLIES WITH PART 15 OF THE FCC RULES AND INDUSTRY CANADA LICENSE-EXEMPT RSS STANDARD(S). OPERATION IS SUBJECT TO THE FOLLOWING TWO CONDITIONS: (1) THIS DEVICE MAY NOT CAUSE HARMFUL INTERFERENCE, AND (2) THIS DEVICE MUST ACCEPT ANY INTERFERENCE RECEIVED, INCLUDING INTERFERENCE THAT MAY CAUSE UNDESIRE OPERATION.

CAUTION: The OEM should have the device incorporating with the BT740 tested by a qualified test house to verify compliance with FCC Part 15 Subpart B limits for unintentional radiators.

CAUTION: Any changes or modifications not expressly approved by Laird could void the user's authority to operate the equipment.

8.3 OEM Responsibilities

This device is intended only for OEM integrators under the following conditions:

- 1) The antenna must be installed such that 20 cm is maintained between the antenna and users.
- 2) The transmitter module may not be co-located with any other transmitter or antenna

As long as 2 conditions above are met, further transmitter test will not be required. However, the OEM integrator is still responsible for testing their end-product for any additional compliance requirements required with this module installed

IMPORTANT NOTE:

In the event that these conditions can not be met (for example certain laptop configurations or co-location with another transmitter), then the FCC authorization is no longer considered valid and the FCC ID can not be used on the final product. In these circumstances, the OEM integrator will be responsible for re-evaluating the end product (including the transmitter) and obtaining a separate FCC authorization.

End Product Labeling

This transmitter module is authorized only for use in device where the antenna may be installed such that 20 cm may be maintained between the antenna and users. The final end product must be labeled in a visible area with the following: "Contains FCC ID: SQGBT700".

Manual Information to the End User

The OEM integrator has to be aware not to provide information to the end user regarding how to install or remove this RF module in the user's manual of the end product which integrates this module.

The end user manual shall include all required regulatory information/warning as show in this manual.

8.4 Industry Canada (IC) Warning:

Radiation Exposure Statement:

This equipment complies with IC radiation exposure limits set forth for an uncontrolled environment. This equipment should be installed and operated with minimum distance 20cm between the radiator & your body.

Déclaration d'exposition aux radiations:

Cet équipement est conforme aux limites d'exposition aux rayonnements IC établies pour un environnement non contrôlé. Cet équipement doit être installé et utilisé avec un minimum de 20 cm de distance entre la source de rayonnement et votre corps.

This device is intended only for OEM integrators under the following conditions: (For module device use)

- 1) The antenna must be installed such that 20 cm is maintained between the antenna and users.
- 2) The transmitter module may not be co-located with any other transmitter or antenna.

As long as 2 conditions above are met, further transmitter test will not be required. However, the OEM integrator is still responsible for testing their end-product for any additional compliance requirements required with this module installed.

Cet appareil est conçu uniquement pour les intégrateurs OEM dans les conditions suivantes: (Pour utilisation de dispositif module)

- 1) L'antenne doit être installée de telle sorte qu'une distance de 20 cm est respectée entre l'antenne et les utilisateurs.
- 2) Le module émetteur peut ne pas être coïmplanté avec un autre émetteur ou antenne.

Tant que les 2 conditions ci-dessus sont remplies, des essais supplémentaires sur l'émetteur ne seront pas nécessaires. Toutefois, l'intégrateur OEM est toujours responsable des essais sur son produit final pour toutes exigences de conformité supplémentaires requis pour ce module installé.

IMPORTANT NOTE:

In the event that these conditions can not be met (for example certain laptop configurations or co-location with another transmitter), then the Canada authorization is no longer considered valid and the IC ID can not be used on the final product. In these circumstances, the OEM integrator will be responsible for re-evaluating the end product (including the transmitter) and obtaining a separate Canada authorization.

NOTE IMPORTANTE:

Dans le cas où ces conditions ne peuvent être satisfaites (par exemple pour certaines configurations d'ordinateur portable ou de certaines co-localisation avec un autre émetteur), l'autorisation du Canada n'est plus considéré comme valide et l'ID IC ne peut pas être utilisé sur le produit final. Dans ces circonstances, l'intégrateur OEM sera chargé de réévaluer le produit final (y compris l'émetteur) et l'obtention d'une autorisation distincte au Canada.

Class 1 Bluetooth v2.0 Module

Hardware Integration Guide

End Product Labeling

This transmitter module is authorized only for use in device where the antenna may be installed such that 20 cm may be maintained between the antenna and users. The final end product must be labeled in a visible area with the following: "Contains IC: " .

Plaque signalétique du produit final

Ce module émetteur est autorisé uniquement pour une utilisation dans un dispositif où l'antenne peut être installée de telle sorte qu'une distance de 20cm peut être maintenue entre l'antenne et les utilisateurs. Le produit final doit être étiqueté dans un endroit visible avec l'inscription suivante: "Contient des IC: " .

Manual Information To the End User

The OEM integrator has to be aware not to provide information to the end user regarding how to install or remove this RF module in the user's manual of the end product which integrates this module.

The end user manual shall include all required regulatory information/warning as show in this manual.

Manuel d'information à l'utilisateur final

L'intégrateur OEM doit être conscient de ne pas fournir des informations à l'utilisateur final quant à la façon d'installer ou de supprimer ce module RF dans le manuel de l'utilisateur du produit final qui intègre ce module.

Le manuel de l'utilisateur final doit inclure toutes les informations réglementaires requises et avertissements comme indiqué dans ce manuel.

8.5 CE Regulatory

The BT730 has been tested for compliance with relevant standards for the EU market. The OEM should consult with a qualified test house before entering their device into an EU member country to make sure all regulatory requirements have been met for their complete device.

The BT730 was tested with a 2dBi dipole antenna. The OEM is free to use any manufacturer's antenna and type of antenna but it must be ≤ 2 dBi to remain in compliance with the Laird reports.

Reference the Declaration of Conformities listed below for a full list of the standards that the modules were tested to. Test reports are available upon request.

9 EU DECLARATIONS OF CONFORMITY

9.1 BT730-SA


Manufacturer:	Laird Technologies
Product:	BT730-SA
EU Directive:	RTTE 1995/5/EC
Conformity Assessment:	Annex IV

Reference standards used for presumption of conformity:

Article Number:	Requirement	Reference standard(s):
3.1a	Health and Safety	EN 60950-1:2006
3.1b	Protection requirements with respect to electromagnetic compatibility	EN 301 489-1 V1.8.1 EN 301 489-17 V2.1.1 Emissions: EN55022:2006/A1:2000/A2:2006(ClassB) Immunity: EN61000-4-2:1995/A1:1998/A2:2001 EN61000-4-3:2002/A1:2002
3.2	Means of the efficient use of the radio frequency spectrum	EN 300 328 V1.8.1 (2012-06)

Declaration:

We, Laird Technologies, declare under our sole responsibility that the essential radio test suites have been carried out and that the above product to which this declaration relates is in conformity with all the applicable essential requirements of Article 3 of the EU Directive 1995/5/EC, when used for its intended purpose.

Place of Issue:	Laird Technologies Saturn House, Mercury Park Wooburn Green HP100HH, United Kingdom tel: +44 (0)1628 858 940 fax: +44 (0)1628 528 382
Date of Issue:	June 2013
Name of Authorized Person:	Andrew Dobbing, Engineering Manager
Signature:	

9.2 BT730-SC

Manufacturer:	Laird Technologies
Product:	BT730-SC
EU Directive:	RTTE 1995/5/EC
Conformity Assessment:	Annex IV

Reference standards used for presumption of conformity:

Article Number:	Requirement	Reference standard(s):
3.1a	Health and Safety	EN 60950-1:2006
3.1b	Protection requirements with respect to electromagnetic compatibility	EN 301 489-1 V1.8.1 EN 301 489-17 V2.1.1 Emissions: EN55022:2006/A1:2000/A2:2006(ClassB) Immunity: EN61000-4-2:1995/A1:1998/A2:2001 EN61000-4-3:2002/A1:2002
3.2	Means of the efficient use of the radio frequency spectrum	EN 300 328 V1.8.1 (2012-06)

Declaration:

We, Laird Technologies, declare under our sole responsibility that the essential radio test suites have been carried out and that the above product to which this declaration relates is in conformity with all the applicable essential requirements of Article 3 of the EU Directive 1995/5/EC, when used for its intended purpose.

Place of Issue:	Laird Technologies Saturn House, Mercury Park Wooburn Green HP100HH, United Kingdom tel: +44 (0)1628 858 940 fax: +44 (0)1628 528 382
Date of Issue:	June 2013
Name of Authorized Person:	Andrew Dobbing, Engineering Manager
Signature:	

10 BLUETOOTH SIG QUALIFICATION

The BT730 module is listed on the Bluetooth SIG website as qualified End Products.

Design Name	Owner	Declaration ID	Link to listing on the SIG website
BT730	Laird Technologies	B020652	https://www.bluetooth.org/tpg/QLI_viewQDL.cfm?qid=20652

It is a mandatory requirement of the Bluetooth Special Interest Group (SIG) that every product implementing Bluetooth technology has a Declaration ID. Every Bluetooth design is required to go through the qualification process, even when referencing a Bluetooth Design that already has its own Declaration ID. The Qualification Process requires each company to registered as a member of the Bluetooth SIG – www.bluetooth.org

The following link provides a link to the Bluetooth Registration page:

<https://www.bluetooth.org/login/register/>

For each Bluetooth Design it is necessary to purchase a Declaration ID. This can be done before starting the new qualification, either through invoicing or credit card payment. The fees for the Declaration ID will depend on your membership status, please refer to the following webpage:

<https://www.bluetooth.org/en-us/test-qualification/qualification-overview/fees>

For a detailed procedure of how to obtain a new Declaration ID for your design, please refer to the following SIG document:

https://www.bluetooth.org/DocMan/handlers/DownloadDoc.ashx?doc_id=283698&vId=317486

To start the listing go to, https://www.bluetooth.org/tpg/QLI_SDoc.cfm.

In step 1, select **Reference a Qualified Design** and enter 20652 in the End Product table entry. You can then select your pre-paid Declaration ID from the drop down menu or go to the Purchase Declaration ID page, (please note that unless the Declaration ID is pre-paid or purchased with a credit card, it will not be possible to proceed until the SIG invoice is paid.

Once all the relevant sections of step 1 are finished, complete steps 2, 3, and 4 as described in the help document. Your new Design will be listed on the SIG website and you can print your Certificate and DoC.

For further information please refer to the following training material:

<https://www.bluetooth.org/en-us/test-qualification/qualification-overview/listing-process-updates>

10.1 Additional Assistance

Please contact your local sales representative or our support team for further assistance:

Laird Technologies Connectivity Products Business Unit

Support Centre: <http://ews-support.lairdtech.com>

Email: wireless.support@lairdtech.com

Phone: Americas: +1-800-492-2320 Option 2

Europe: +44-1628-858-940

Hong Kong: +852 2923 0610

Web: <http://www.lairdtech.com/bluetooth>

11 ORDERING INFORMATION

Part Number	Description
BT730-SA	Class 1 Bluetooth V2.0 Module (internal antenna)
BT730-SC	Class 1 Bluetooth v2.0 Module (uFL for external antenna)
DVK – BT730-SA	Development board with BT730-SA module soldered in place
DVK – BT730-SC	Development board with BT730-SC module soldered in place

11.1 General Comments

This is a preliminary datasheet. Please check with Laird Technologies for the latest information before commencing a design. If in doubt, ask.



Smart Technology. Delivered.

Laird Technologies is the world leader in the design and manufacture of customized, performance-critical products for wireless and other advanced electronics applications.

Laird Technologies partners with its customers to find solutions for applications in various industries such as:

- Network Equipment
- Telecommunications
- Data Communications
- Automotive Electronics
- Computers
- Aerospace
- Military
- Medical Equipment
- Consumer Electronics

Laird Technologies offers its customers unique product solutions, dedication to research and development, as well as a seamless network of manufacturing and customer support facilities across the globe.

globalsolutions: local support™

USA: +1.800.492.2320

Europe: +44.1628.858.940

Asia: +852.2923-0610

wirelessinfo@lairdtech.com

www.lairdtech.com/wireless

CONN-HIG-BT730

Copyright © 2014 Laird Technologies, Inc. All rights reserved.

The information contained in this manual and the accompanying software programs are copyrighted and all rights are reserved by Laird Technologies, Inc. Laird Technologies, Inc. reserves the right to make periodic modifications of this product without obligation to notify any person or entity of such revision. Copying, duplicating, selling, or otherwise distributing any part of this product or accompanying documentation/software without the prior consent of an authorized representative of Laird Technologies, Inc. is strictly prohibited.

All brands and product names in this publication are registered trademarks or trademarks of their respective holders.

This material is preliminary

Information furnished by Laird Technologies in this specification is believed to be accurate. Devices sold by Laird Technologies are covered by the warranty and patent indemnification provisions appearing in its Terms of Sale only. Laird Technologies makes no warranty, express, statutory, and implied or by description, regarding the information set forth herein. Laird Technologies reserves the right to change specifications at any time and without notice. Laird Technologies' products are intended for use in normal commercial and industrial applications. Applications requiring unusual environmental requirements such as military, medical life-support or life-sustaining equipment are specifically not recommended without additional testing for such application.

Limited Warranty, Disclaimer, Limitation of Liability