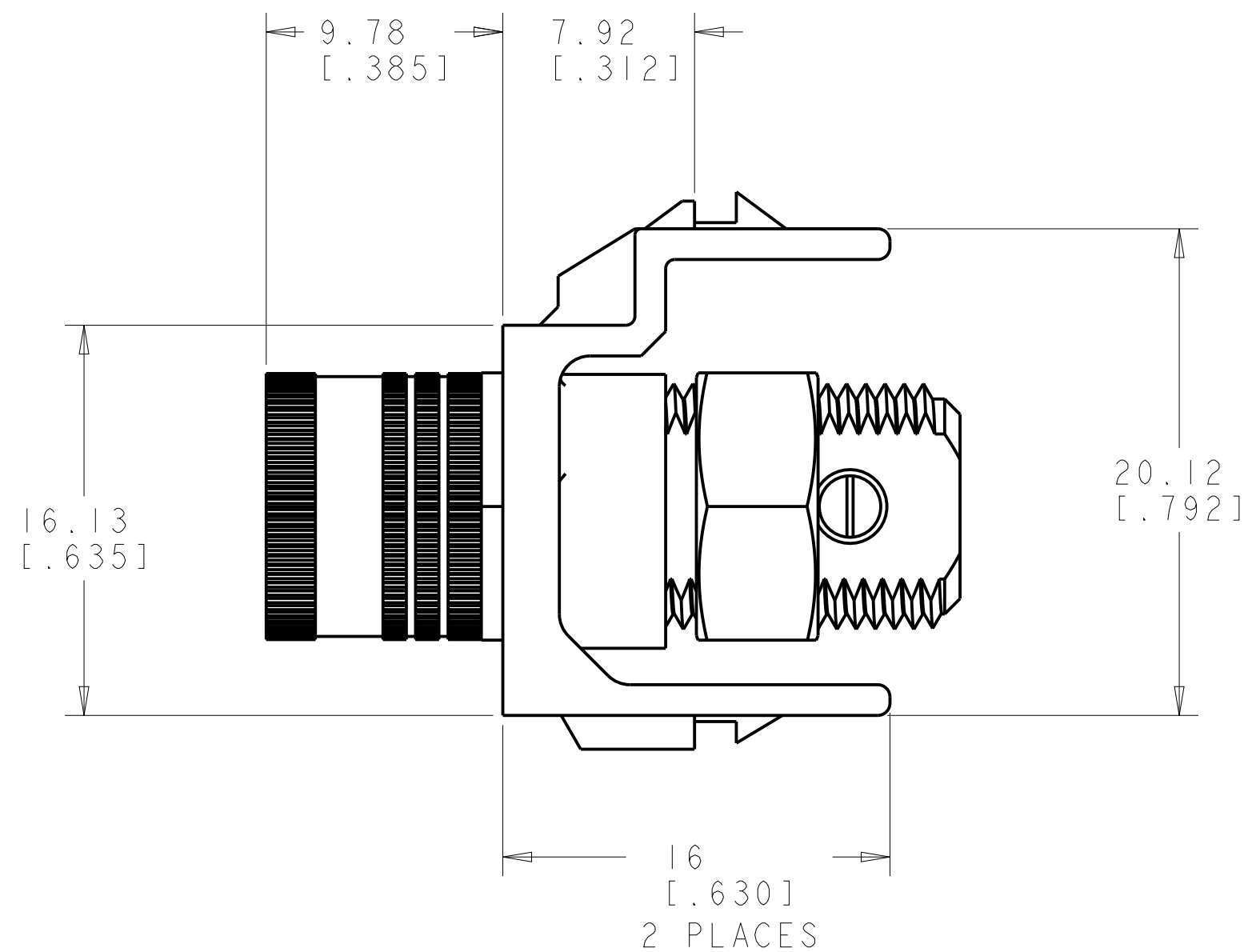
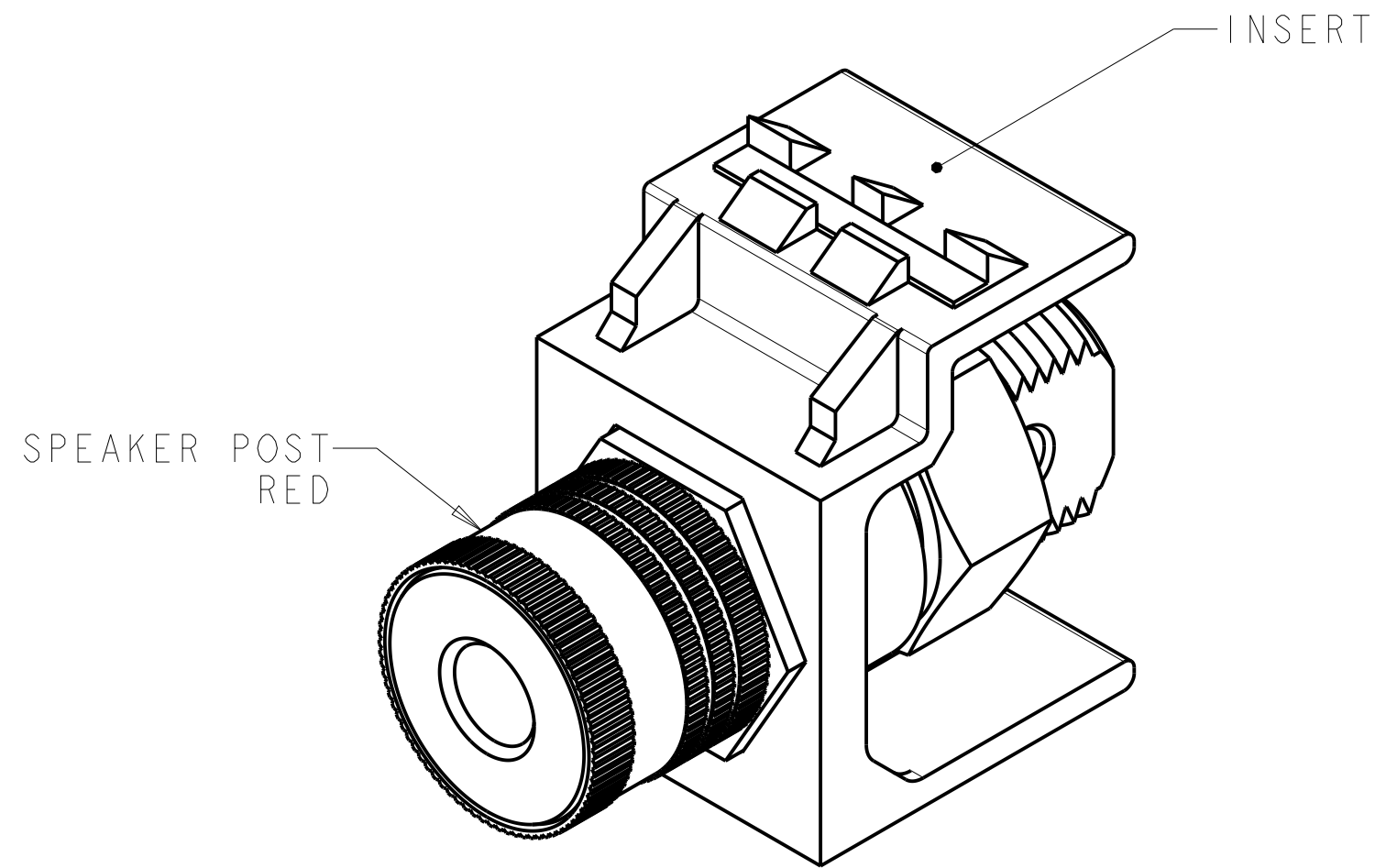


THIS DRAWING IS UNPUBLISHED. RELEASED FOR PUBLICATION  
 © 2016 COMMSCOPE, INC. CONFIDENTIAL NOTICE: THESE DRAWINGS AND SPECIFICATIONS ARE THE PROPRIETARY PROPERTY OF COMMSCOPE, INC. AND MAY BE USED ONLY FOR THE SPECIFIC PURPOSE AUTHORIZED IN WRITING BY COMMSCOPE, INC.

REVISIONS				
P	LTR	DESCRIPTION	DATE	APVD
C		ECO-13-007680	07MAY2013	JM RA
D		REV BNS_CD_BRAND	10FEB2017	GG DC

- ① MATERIAL:  
 INSERT - POLYCARBONATE MOLDING COMPOUND, SEE TABLE FOR COLOR.  
 SPEAKER POST - BRASS, GOLD PLATED.
- ② UNLESS OTHERWISE SPECIFIED ALL DIMENSIONS ARE SHOWN NOMINAL.



ALPINE WHITE	I-1479191-3
LIGHT ALMOND	1479191-1
COLOR	PART NUMBER

THIS DRAWING IS A CONTROLLED DOCUMENT.		DWN G. GARRETT 22MAR02	<b>COMMSCOPE, INC.</b>	
DIMENSIONS: MM [INCHES]		CHK G. BOWMAN 22MAR02		
TOLERANCES UNLESS OTHERWISE SPECIFIED:		APVD G. BOWMAN 22MAR02		
0 PLC ± 1 PLC ± 2 PLC ± 3 PLC ± 4 PLC ± ANGLES ± FINISH ±		PRODUCT SPEC -		
MATERIAL ① -		APPLICATION SPEC -	NAME INSERT ASSEMBLY, SPEAKER POST, RED, SL SERIES	
②		WEIGHT -	SIZE A2	CAGE CODE G-1479191
CUSTOMER DRAWING		SCALE 4:1	SHEET 1 OF 1	REV D