

MATERIALS AND FINISHES

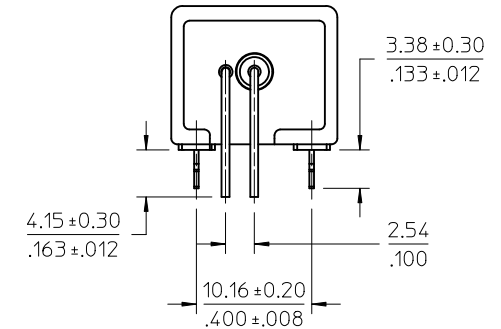
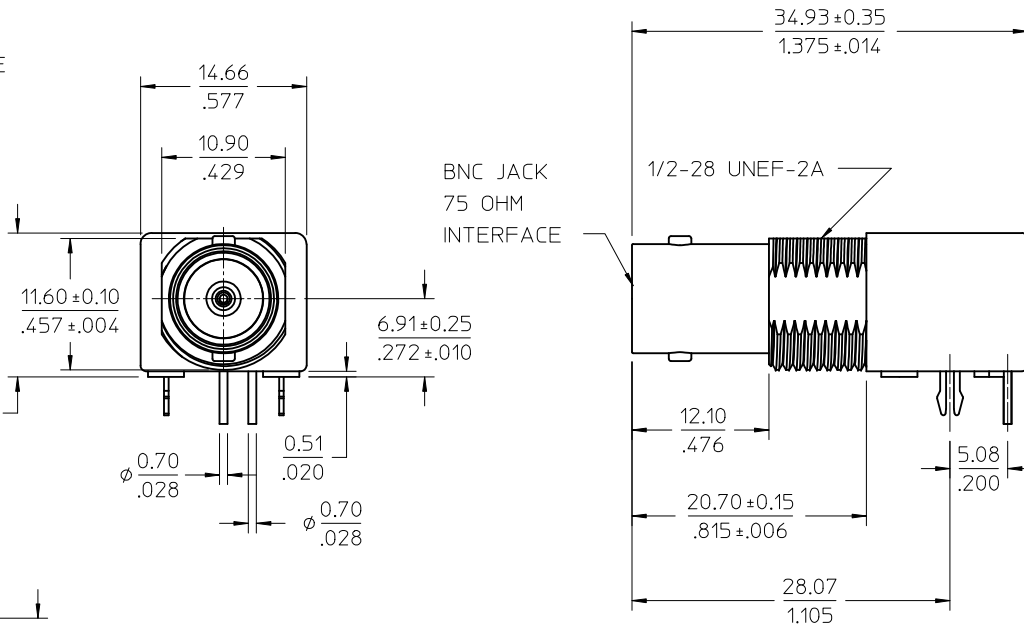
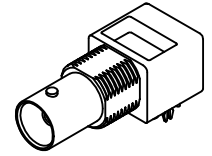
BODY ZINC ALLOY
PLATED NICKEL

CENTER CONTACT PHOSPHOR BRONZE
PLATED GOLD

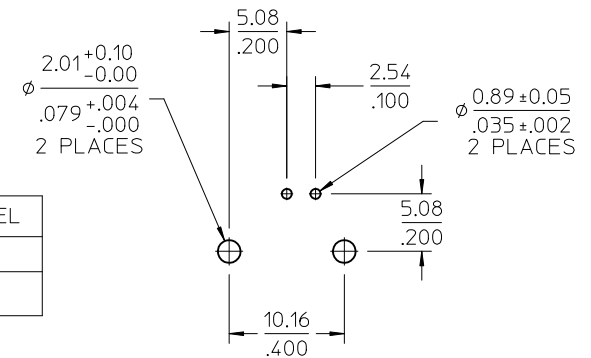
INSULATOR POLYPROPYLENE(94V2)

BOARD LOCK PHOSPHOR BRONZE
PLATED TIN

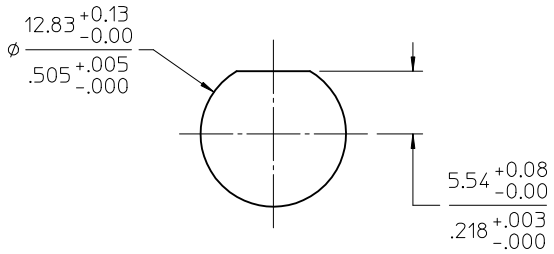
SOLDER TAIL COPPER OVER STEEL
PLATED TIN



NOTE:
LEADS MAY NEED TO BE
ADJUSTED TO FIT PCB



RECOMMENDED PCB LAYOUT



RECOMMENDED MOUNTING HOLE
PANEL THICKNESS: 5.40(.216) MAX
RECOMMENDED MOUNTING TORQUE:
1.36 N-m(12 INCH LBS) MAX

73171-4330	QTY (1) OF 73101-0120 IN SINGLE BAG WITH LABEL
73101-0120	BULK
PART NO.	PACKAGING

PART # 73101-0120

PS-89675-1030	PRODUCT SPECIFICATION
SPECIFICATION	DESCRIPTION

CHG: ADD 73171-4330 EC NO: DRWINBOMALLEY 2012/01/17 CHKD:AZR 2012/01/17 APPR: JWIENER 2012/01/24 REV: B4	QUALITY SYMBOLS ▽=0 ▽=0	GENERAL TOLERANCES (UNLESS SPECIFIED) mm INCH 4 PLACES ± --- ± --- 3 PLACES ± --- ± --- 2 PLACES ± --- ± --- 1 PLACE ± --- ± --- ANGULAR ± ---°	DIMENSION STYLE MM/IN DRAWN BY DATE LYNN LIN 1996/07/12 CHECKED BY DATE	SCALE DESIGN UNITS METRIC THIRD ANGLE PROJECTION	TITLE BNC JAC R/A PCB 75 OHMS DIE CAST BNC-J/RA/PCB EWR-2677	MATERIAL NO. 731010120	DOCUMENT NO. SD-73101-0120	SHEET NO. 1 OF 1
		DRAFT WHERE APPLICABLE MUST REMAIN WITHIN DIMENSIONS	APPROVED BY DATE MOLEX INCORPORATED	THIS DRAWING CONTAINS INFORMATION THAT IS PROPRIETARY TO MOLEX INCORPORATED AND SHOULD NOT BE USED WITHOUT WRITTEN PERMISSION				