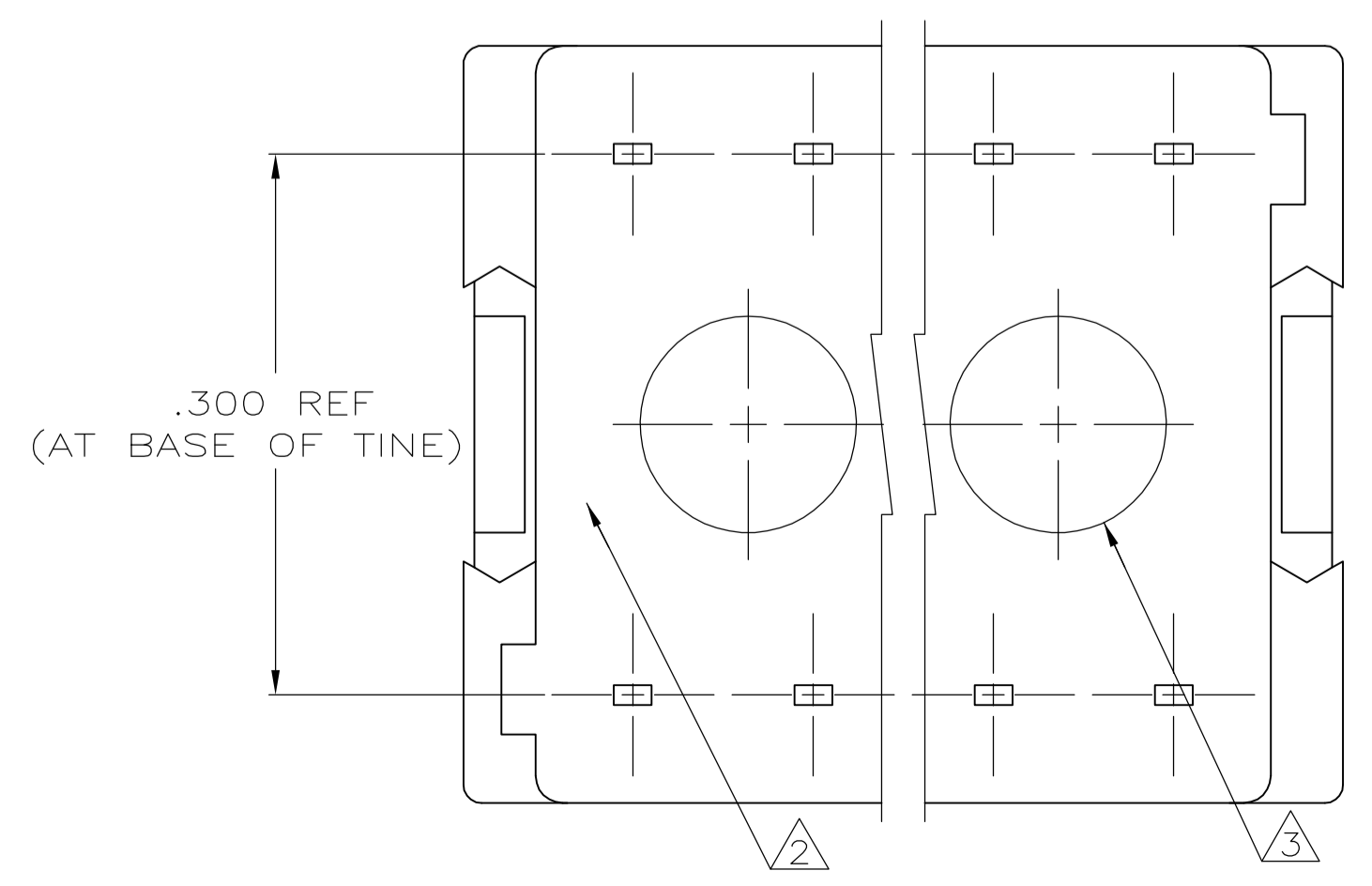
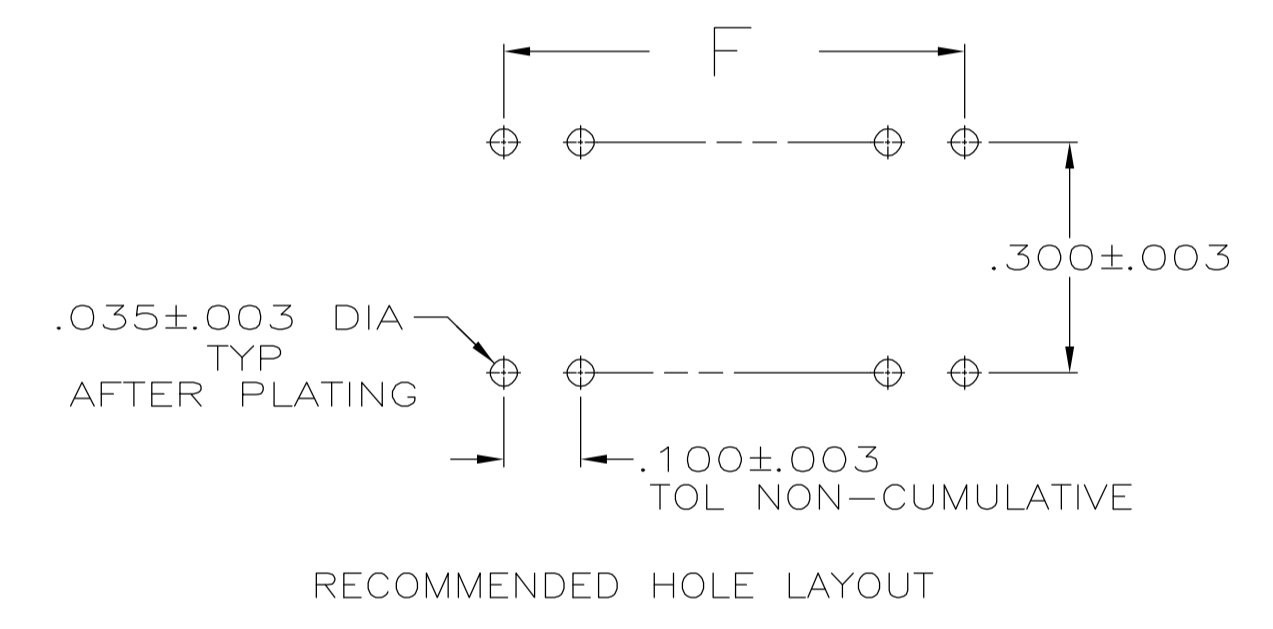
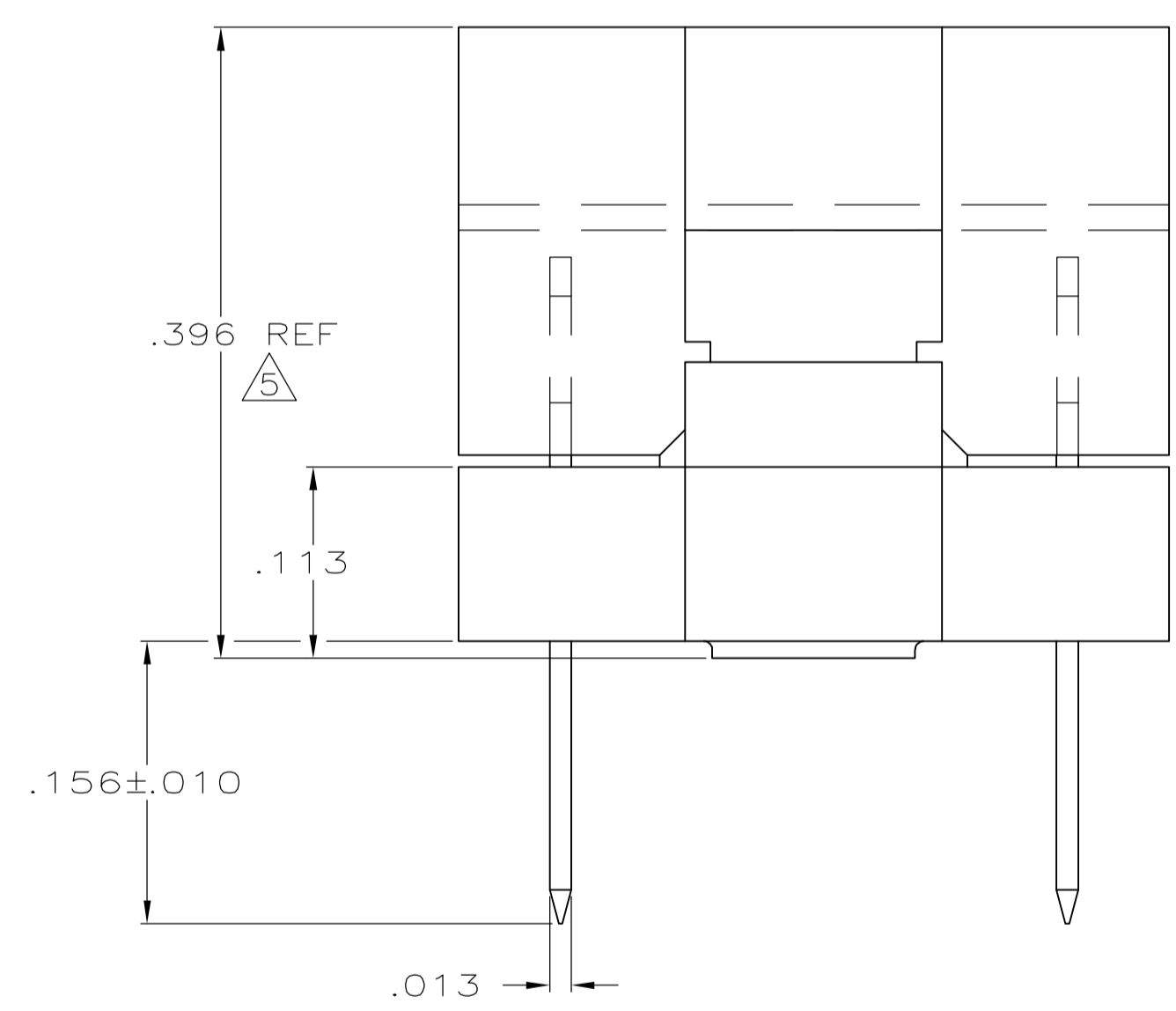
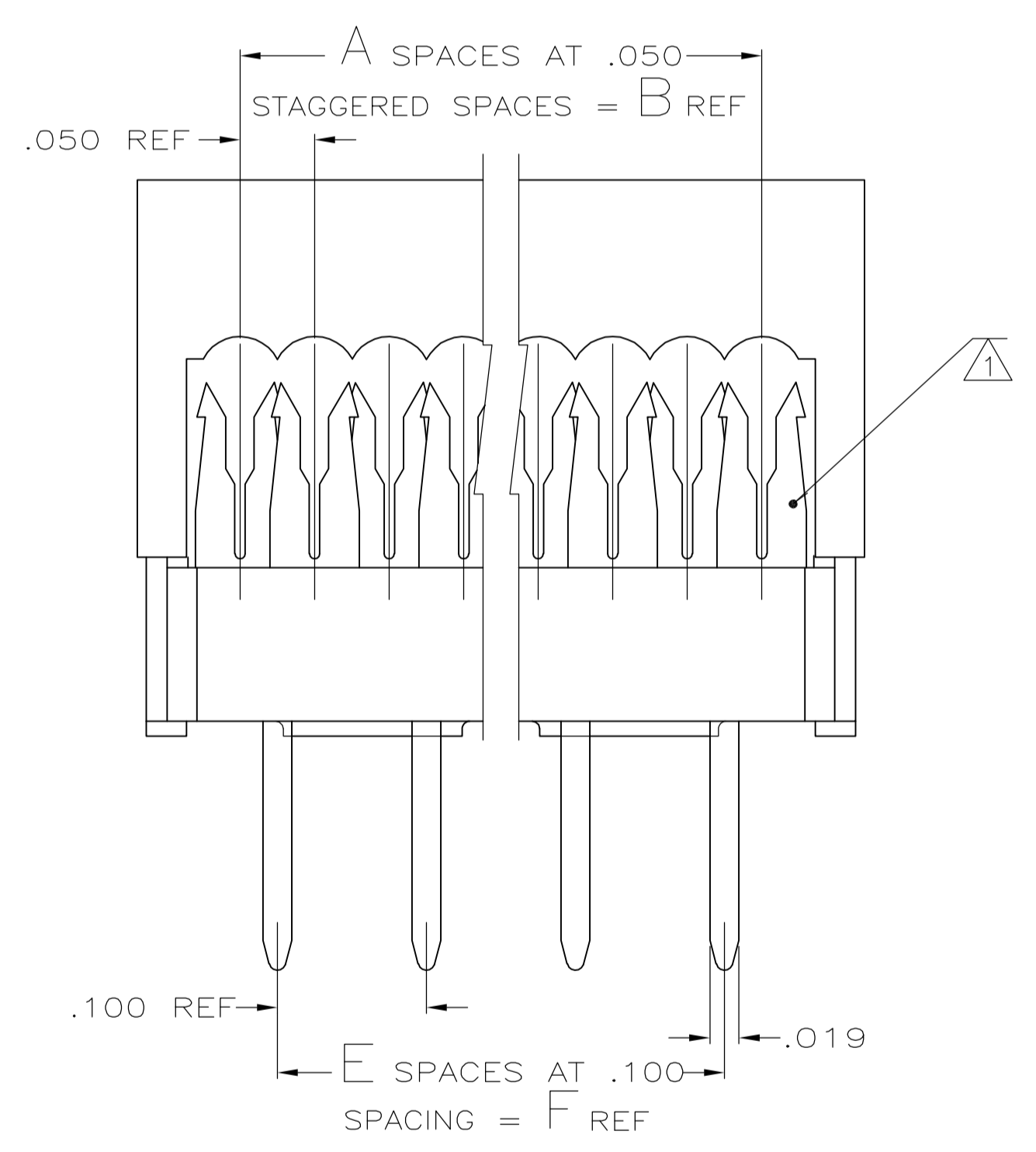
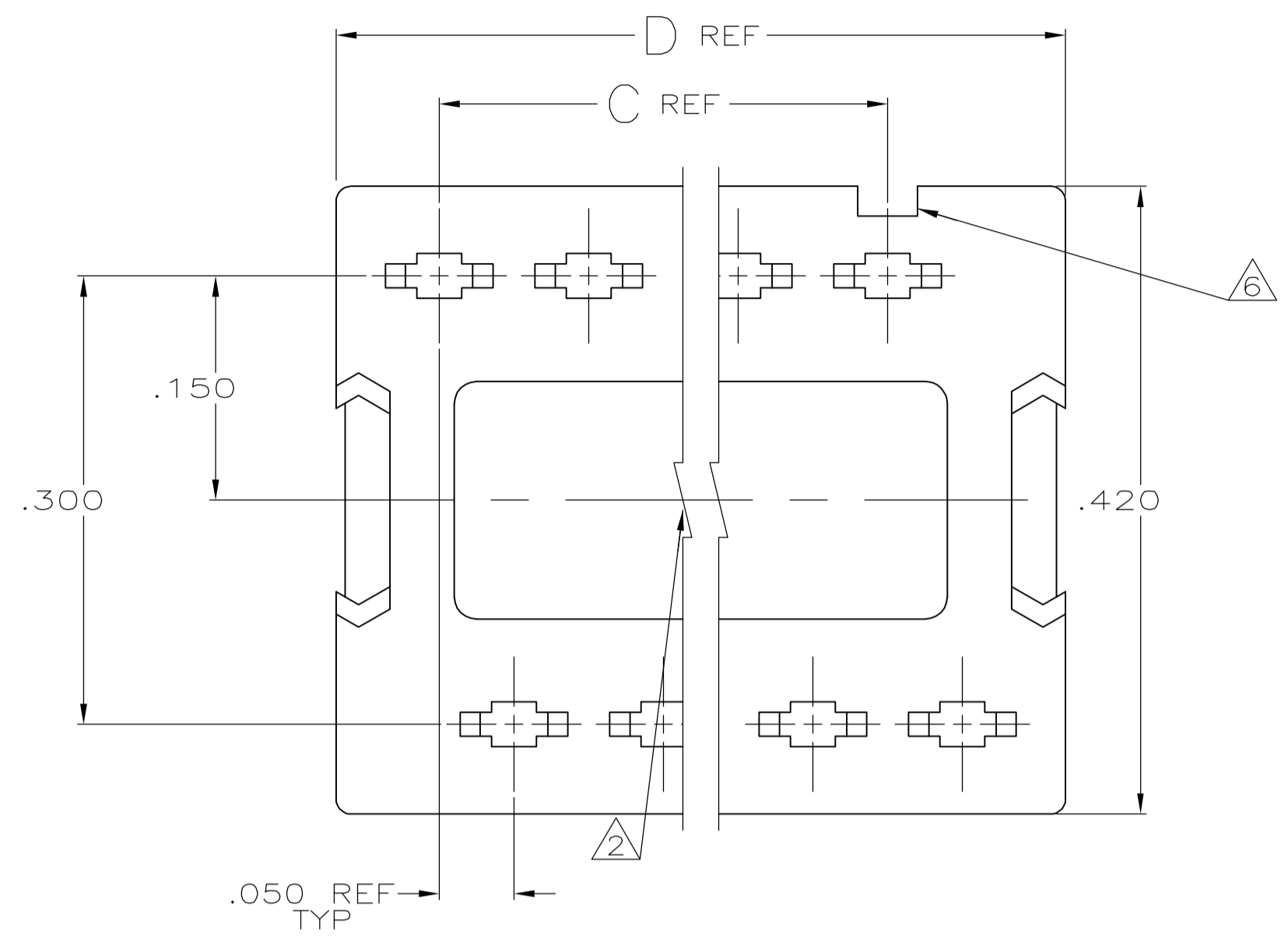


LOC		DIST		REVISIONS			
GP	00	REV	DATE	BY	CHK	APPV	
G1		REVISED PER ECO-06-020813	26/OCT/06	ZR	CR		

- ① CONTACTS DESIGNED FOR 28 AWG STRANDED OR 26,28, & 30 AWG SOLID WIRE.
- ② AMP TRADEMARK LOCATED IN APPROX AREA SHOWN.
- ③ STANDOFFS: POSN 8 (2) STANDOFFS AS SHOWN. POSN 14-20 (3) STANDOFFS, (1) CENTERED BETWEEN (2) SHOWN
- ④ .000100-.000200 BRIGHT TIN LEAD OVER .000050 NICKEL ON ENTIRE CONTACT.
- ⑤ HEIGHT AFTER TERMINATION IS .253 REF.
- ⑥ INDICATES NO 1 POSITION.
- ⑥ MATERIAL:  
 MOLDED PARTS: 94V-0 RATED THERMOPLASTIC, COLOR BLACK.  
 CONTACTS; PHOSPHOR BRONZE



OBSOLETE	.900	9	1.088	.900	.950	19	20	746613-5
OBSOLETE	.800	8	.988	.800	.850	17	18	746613-4
	.700	7	.888	.700	.750	15	16	746613-3
OBSOLETE	.600	6	.788	.600	.650	13	14	746613-2
	.300	3	.488	.300	.350	7	8	746613-1
	F	E	D	C	B	A	NO OF POSN	PART NUMBER

THIS DRAWING IS A CONTROLLED DOCUMENT.

DIMENSIONS: INCHES	TOLERANCES UNLESS OTHERWISE SPECIFIED:	DWG: W.E.ZELKO 1-10-86	DATE: 1-10-86	Tyco Electronics Corporation Harrisburg, PA 17105-3608
0 PLC ± -	1 PLC ± -	CHK: J.PEACHEY 1-8-86	DATE: 1-10-86	
2 PLC ± -	3 PLC ± .005	APPV: M.SCULLY 1-10-86	NAME: M.SCULLY	KIT, AMP-LATCH DIP PLUG, PREASSEMBLED .100 X .300 CENTERS, FULL TIN PLATED CONTACTS
4 PLC ± -	ANGLES ± -	PRODUCT SPEC: 108-40013	APPLICATION SPEC: 114-40005	
MATERIAL: ⑥	FINISH: ④	WEIGHT: -	SIZE: A1	
CUSTOMER DRAWING		SCALE: 10:1	SHEET: 1 OF 1	REV: G1