

THIS DRAWING IS UNPUBLISHED.

RELEASED FOR PUBLICATION

2011

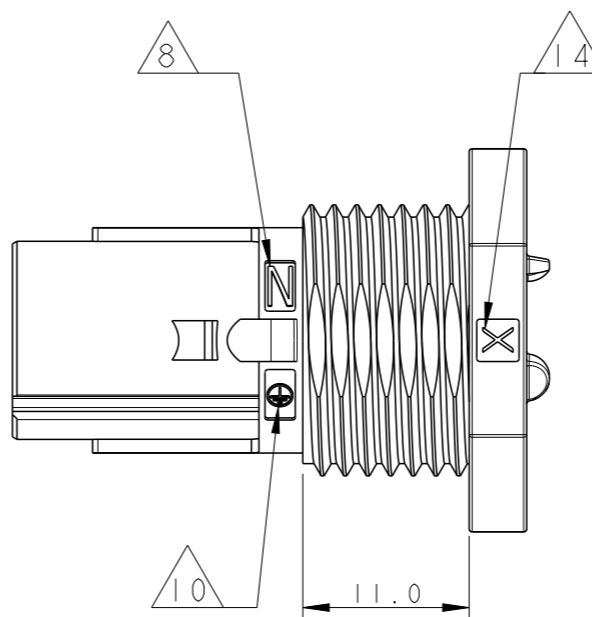
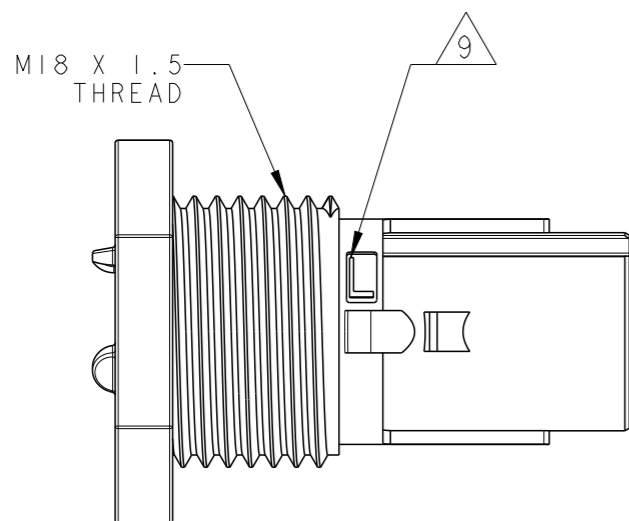
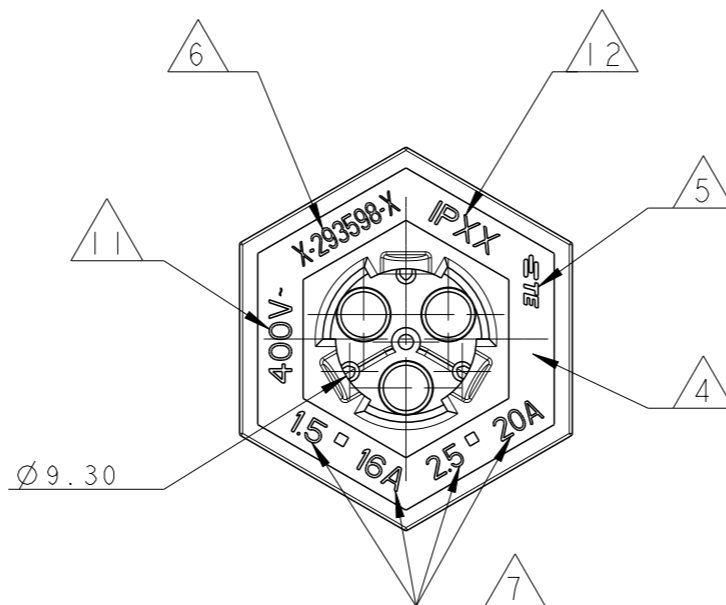
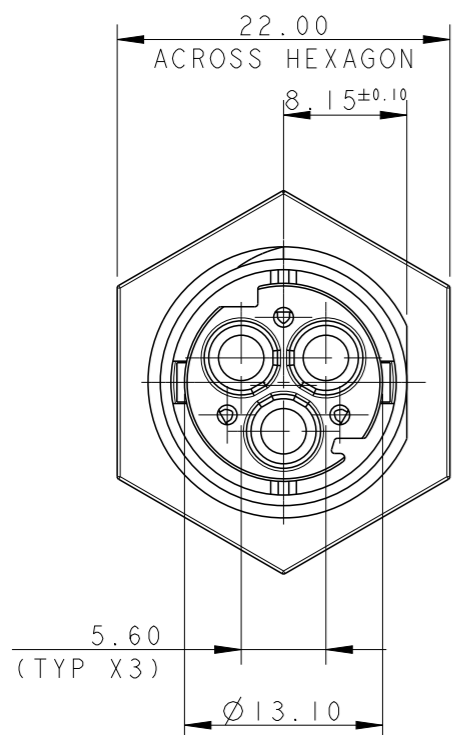
© COPYRIGHT 2011 BY -

ALL RIGHTS RESERVED.

LOC 1
DIST -

REVISIONS

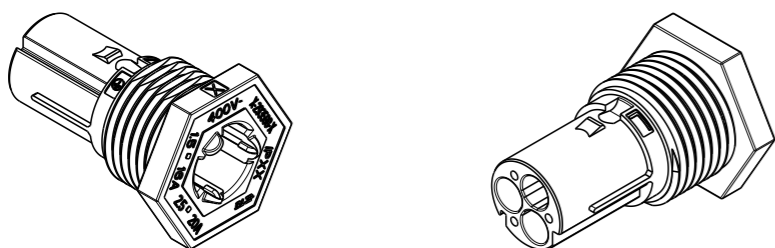
P	LTR	DESCRIPTION	DATE	DWN	APVD
E		PARTS -1 AND 1-1 RELEASED FOR PRODUCTION	12SEP2011	MZ	GT
E1		REVISED MARKINGS	06NOV2012	MZ	JC
F		PARTS -2, -3, 1-2, 1-3 RELEASED FOR PRODUCTION	26JUN2013	KR	JC



NOTES:

- 1 MATERIAL: POLYAMIDE GLASS FILLED COLOUR NATURAL
- 2 MATERIAL: POLYAMIDE GLASS FILLED COLOUR BLACK
- 3) PACKAGING: SEE TE PACKAGING SPECIFICATION 107-20294
- 4 AREA FOR AGENCY APPROVAL LOGO
- 5 TE LOGO
- 6 TE PART NUMBER
- 7 CONDUCTOR SIZE AND CURRENT RATING
- 8 N CODE
- 9 L CODE
- 10 PE CODE
- 11 RATED VOLTAGE
- 12 IP CODE
- 13 PART NOT YET TOOLED AND NOT RELEASED FOR PRODUCTION
- 14 CAVITY MOULD CODE

3D VIEWS, FOR REFERENCE ONLY



SCALE 1:1

THIS DRAWING IS A CONTROLLED DOCUMENT.

DIMENSIONS: mm	TOLERANCES UNLESS OTHERWISE SPECIFIED:
	0 PLC ±-
	1 PLC ±0.3
	2 PLC ±0.20
	3 PLC ±-
	4 PLC ±-
	ANGLES ±3°
MATERIAL	FINISH -
SEE NOTES	

DWN	M. ZUCCA	29OCT2009
CHK	M. ZUCCA	29OCT2009
APVD	G. TURCO	29OCT2009
PRODUCT SPEC	108-20304	
APPLICATION SPEC	114-20452	
WEIGHT	~6.2 g	

TE Connectivity		NAME	
		PIN HOUSING PANEL MOUNT VERSION NECTOR* M-LINE	
SIZE	CAGE CODE	DRAWING NO	RESTRICTED TO
A300779	C-293598		-

THIS DRAWING IS UNPUBLISHED.

RELEASED FOR PUBLICATION

2011

© COPYRIGHT 2011 BY -

ALL RIGHTS RESERVED.

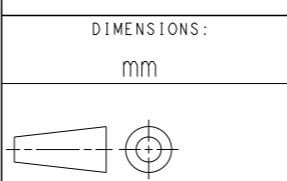
LOC	DIST	REVISIONS					
		P	LTR	DESCRIPTION	DATE	DWN	APVD
1	-		-	SEE SHEET 1	-	-	-

PLARIZATION KEYS

TYPE "A"	TYPE "B"	TYPE "C"
P/Ns: 0-293598-1, 1-293598-1, 2-293598-1	P/Ns: 0-293598-2, 1-293598-2, 2-293598-2	P/Ns: 0-293598-3, 1-293598-3, 2-293598-3
TYPE "D"	TYPE "E"	TYPE "F"
P/Ns: 0-293598-4, 1-293598-4, 2-293598-4	P/Ns: 0-293598-5, 1-293598-5, 2-293598-5	P/Ns: 0-293598-6, 1-293598-6, 2-293598-6

13	67	F	BLACK	2	PIN HSG PANEL MOUNT VERS. NECTOR* M-LINE	D	2-293598-6
13	67	E	BLACK	2	PIN HSG PANEL MOUNT VERS. NECTOR* M-LINE	D	2-293598-5
13	67	D	BLACK	2	PIN HSG PANEL MOUNT VERS. NECTOR* M-LINE	D	2-293598-4
13	67	C	BLACK	2	PIN HSG PANEL MOUNT VERS. NECTOR* M-LINE	D	2-293598-3
13	67	B	BLACK	2	PIN HSG PANEL MOUNT VERS. NECTOR* M-LINE	D	2-293598-2
13	67	A	BLACK	2	PIN HSG PANEL MOUNT VERS. NECTOR* M-LINE	D	2-293598-1
13	40	F	BLACK	2	PIN HSG PANEL MOUNT VERS. NECTOR* M-LINE	D	1-293598-6
13	40	E	BLACK	2	PIN HSG PANEL MOUNT VERS. NECTOR* M-LINE	D	1-293598-5
13	40	D	BLACK	2	PIN HSG PANEL MOUNT VERS. NECTOR* M-LINE	D	1-293598-4
	40	C	BLACK	2	PIN HSG PANEL MOUNT VERS. NECTOR* M-LINE	F	1-293598-3
	40	B	BLACK	2	PIN HSG PANEL MOUNT VERS. NECTOR* M-LINE	F	1-293598-2
	40	A	BLACK	2	PIN HSG PANEL MOUNT VERS. NECTOR* M-LINE	F	1-293598-1
13	40	F	NATURAL	1	PIN HSG PANEL MOUNT VERS. NECTOR* M-LINE	D	0-293598-6
13	40	E	NATURAL	1	PIN HSG PANEL MOUNT VERS. NECTOR* M-LINE	D	0-293598-5
13	40	D	NATURAL	1	PIN HSG PANEL MOUNT VERS. NECTOR* M-LINE	D	0-293598-4
	40	C	NATURAL	1	PIN HSG PANEL MOUNT VERS. NECTOR* M-LINE	F	0-293598-3
	40	B	NATURAL	1	PIN HSG PANEL MOUNT VERS. NECTOR* M-LINE	F	0-293598-2
	40	A	NATURAL	1	PIN HSG PANEL MOUNT VERS. NECTOR* M-LINE	F	0-293598-1
NOTE	IP DEGREE CODE	POL. KEYING	COLOUR	MATERIAL	DESCRIPTION	REV.	PART NUMBER

THIS DRAWING IS A CONTROLLED DOCUMENT.



DIMENSIONS:	TOLERANCES UNLESS OTHERWISE SPECIFIED:
mm	
0 PLC	±
1 PLC	±0.3
2 PLC	±0.20
3 PLC	±
4 PLC	±
ANGLES	±3°
FINISH	-

MATERIAL SEE NOTES

DWN	M. ZUCCA	29OCT2009
CHK	M. ZUCCA	29OCT2009
APVD	G. TURCO	29OCT2009
PRODUCT SPEC	108-20304	
APPLICATION SPEC	114-20452	
WEIGHT	~6.2 g	

STE TE Connectivity

NAME: PIN HOUSING PANEL MOUNT VERSION NECTOR* M-LINE

SIZE: A3 CAGE CODE: 00779 DRAWING NO: C-293598

RESTRICTED TO: -

4

3

2

1

THIS DRAWING IS UNPUBLISHED.

RELEASED FOR PUBLICATION

2011

© COPYRIGHT 2011

BY -

ALL RIGHTS RESERVED.

LOC
1DIST
-

REVISIONS

P	LTR	DESCRIPTION	DATE	DWN	APVD
-	-	SEE SHEET 1	-	-	-

PANEL / WALL
SUGGESTED CUT OUT

PANEL / WALL

1.5 - 4.0

7.0

26.2

$\varnothing 18.00^{+0.20}$

$8.30^{+0.20}$

THIS DRAWING IS A CONTROLLED DOCUMENT.

DWN
M. ZUCCA 29OCT2009CHK
M. ZUCCA 29OCT2009APVD
G. TURCO 29OCT2009

PRODUCT SPEC

108-20304

APPLICATION SPEC

114-20452

WEIGHT

~6.2 g

NAME
PIN HOUSING
PANEL MOUNT VERSION
NECTOR* M-LINE

SIZE CAGE CODE DRAWING NO RESTRICTED TO

A300779 C-293598 -

Customer Drawing SCALE 2:1 SHEET 3 OF 4 REV F

DIMENSIONS:

mm

TOLERANCES UNLESS

OTHERWISE SPECIFIED:

0 PLC ±
1 PLC ±0.3
2 PLC ±0.20
3 PLC ±
4 PLC ±
ANGLES ±3°

FINISH

-

MATERIAL

SEE NOTES

1470-19 (3/11)

4

3

2

1

THIS DRAWING IS UNPUBLISHED.

RELEASED FOR PUBLICATION

2011

© COPYRIGHT 2011

BY -

ALL RIGHTS RESERVED.

LOC

DIST

REVISIONS

P	LTR	DESCRIPTION	DATE	DWN	APVD
-	-	SEE SHEET 1	-	-	-

PANEL / WALL
SUGGESTED CUT OUT FOR
MULTIPLE HOLES ON MULTIPLE ROWS

(PITCH CAN BE ADJUSTED TO CUSTOMER
NEED BUT IN ANY CASE MUST NOT BE LESS
THAN 30.00 mm)

PANEL / WALL
SUGGESTED CUT OUT FOR
MULTIPLE HOLES ON SINGLE ROW

(PITCH CAN BE ADJUSTED TO CUSTOMER
NEED BUT IN ANY CASE MUST NOT BE LESS
THAN 30.00 mm)

THIS DRAWING IS A CONTROLLED DOCUMENT.

DWN M. ZUCCA 29OCT2009

CHK M. ZUCCA 29OCT2009

APVD G. TURCO 29OCT2009

PRODUCT SPEC 108-20304

APPLICATION SPEC 114-20452

WEIGHT ~6.2 g

Customer Drawing

TE Connectivity

NAME
PIN HOUSING
PANEL MOUNT VERSION
NECTOR* M-LINE

SIZE	CAGE CODE	DRAWING NO	RESTRICTED TO
A3	00779	C=293598	-

SCALE	SHEET	OF	REV
2:1	4	4	F

DIMENSIONS:

mm

TOLERANCES UNLESS OTHERWISE SPECIFIED:

0 PLC	±
1 PLC	±0.3
2 PLC	±0.20
3 PLC	±
4 PLC	±
ANGLES	±3°

FINISH -

MATERIAL SEE NOTES

1470-19 (3/11)