

# SMD CMOS PROGRAMMABLE CRYSTAL OSCILLATOR



3.2 x 2.5 x 1.2mm

AP3S

Moisture Sensitivity Level (MSL) –  
This product is Hermetically Sealed and  
not Moisture Sensitive -MSL = N/A: Not Applicable



RoHS  
Compliant

## FEATURES:

- Performance comparable to fixed frequency oscillator
- Lowest peak-to-peak jitter
- Low supply current
- Short lead time
- Suitable for mass production
- Alternative to long lead-time XO's

For Small  
Quantities,  
Delivery Time  
is 1-5 days

## ELECTRICAL SPECIFICATIONS:

Parameters	Minimum	Typical	Maximum	Units	Notes	
Frequency Range	V <sub>dd</sub> = 3.3V	2.048	-----	200	MHz	In-house programming small quantity only (< 1,000pcs) Contact Abracon for mass production quantity
	V <sub>dd</sub> = 2.5V	2.048	-----	166		
	V <sub>dd</sub> = 1.8V	11	-----	110		
	V <sub>dd</sub> = 1.8V	2.048	-----	10,999		
Operating Temperature	-10	-----	+60	°C	See options	
Storage Temperature	-55	-----	+150	°C		
Overall Frequency Stability*	-100	-----	+100	ppm	See options	
Supply Voltage (V <sub>dd</sub> )	V <sub>dd</sub> = 3.3V	2.97	3.30	3.63	V	Standard
	V <sub>dd</sub> = 2.5V	2.25	2.50	2.75		V <sub>dd</sub> option 1
	V <sub>dd</sub> = 1.8V	1.62	1.80	1.98		V <sub>dd</sub> option 2
Input Current	V <sub>dd</sub> = 3.3V	-----	-----	10	mA	2.048 MHz ≤ F < 30MHz
		-----	-----	15		30MHz ≤ F < 75MHz
		-----	-----	20		75MHz ≤ F < 133MHz
		-----	-----	22		133MHz ≤ F < 166MHz
		-----	-----	25		166MHz ≤ F < 200MHz
	V <sub>dd</sub> = 2.5V	-----	-----	8		2.048 MHz ≤ F < 30MHz
		-----	-----	10		30MHz ≤ F < 75MHz
		-----	-----	15		75MHz ≤ F < 133MHz
		-----	-----	15		133MHz ≤ F < 166MHz
	V <sub>dd</sub> = 1.8V	-----	-----	6		2.048 MHz ≤ F < 30MHz
		-----	-----	8		30MHz ≤ F < 75MHz
		-----	-----	2		75MHz ≤ F < 133MHz
Symmetry****	45	50	55	%	@ 1/2 V <sub>dd</sub>	
Rise and Fall Time (Tr/Tf)**	V <sub>dd</sub> = 3.3V	-----	-----	3	ns	2.048 MHz ≤ F < 10 MHz
		-----	-----	2		10 MHz ≤ F
	V <sub>dd</sub> = 2.5V	-----	-----	4		2.048 MHz ≤ F < 10 MHz
		-----	-----	3		10 MHz ≤ F
	V <sub>dd</sub> = 1.8V	-----	-----	5		2.048 MHz ≤ F < 10 MHz
		-----	-----	4		10 MHz ≤ F
Output Load:	-----	-----	15	pF	CMOS	

# SMD CMOS PROGRAMMABLE CRYSTAL OSCILLATOR



3.2 x 2.5 x 1.2mm

AP3S



RoHS  
Compliant

## ELECTRICAL SPECIFICATIONS:

Parameters	Minimum	Typical	Maximum	Units	Notes	
Output Voltage	$V_{OL}$	-----	-----	0.33	V	$V_{dd} = 3.3V$
	$V_{OH}$	2.97	-----	-----		
	$V_{OL}$	-----	-----	0.25	V	$V_{dd} = 2.5V$
	$V_{OH}$	2.25	-----	-----		
	$V_{OL}$	-----	-----	0.18	V	$V_{dd} = 1.8V$
	$V_{OH}$	1.62	-----	-----		
Start-up Time	-----	-----	2.0	ms		
Tri-state function (Stand-by)	"1" ( $V_{IH} > 0.7 * V_{dd}$ ) or Open: Oscillation "0" ( $V_{IH} < 0.3 * V_{dd}$ ): Disable			-----		
Standby current	-----	-----	15	$\mu A$		
Period jitter Peak to Peak (Reference only. Please contact Abracon for each frequencies.):	-----	-----	40	ps	Standard frequencies***	
	-----	-----	200	ps	Other frequencies Reference only Please contact Abracon	
Aging:	-3.0	-----	+3.0	ppm	@+25°C First year	

\* Inclusive of calibration @25°C, operating temperature range, input voltage variation, load variation, aging, shock, and vibration.

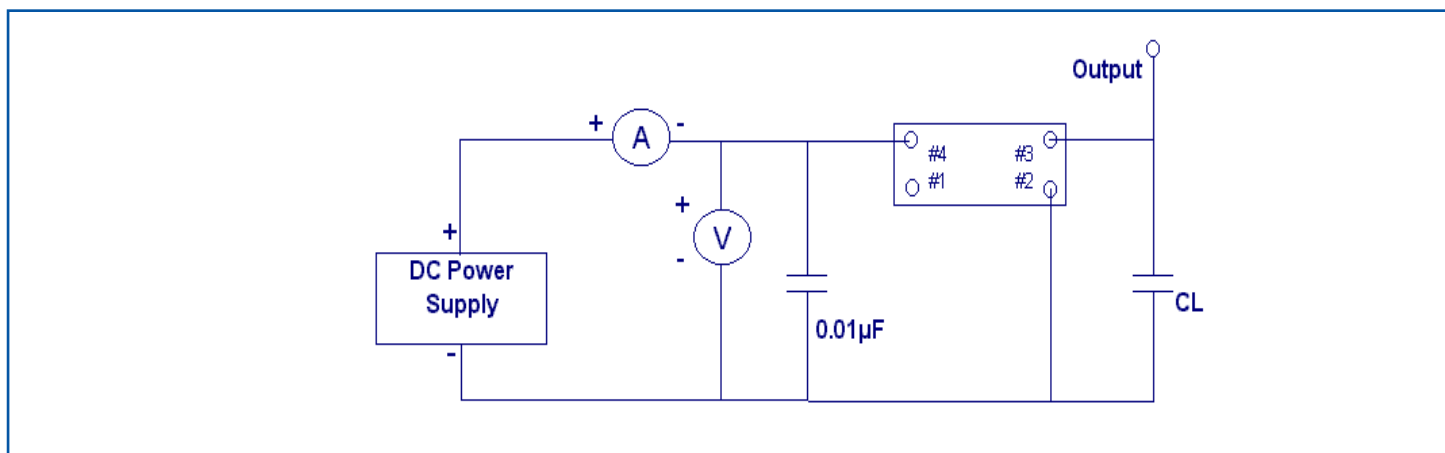
For  $\pm 20$ ppm, inclusive of calibration @25°C, operating temperature range, load variation, aging, shock, and vibration.

\*\* Transition times are measured between 10% and 90% of  $V_{dd}$  with an output load of 15 pF.

\*\*\* 4.0, 6.0, 8.0, 12.0, 13.0, 16.0 19.2, 20.0, 24.0, 26.0, 32.0, 38.4, and 40.0MHz

\*\*\*\* Only 40/60% is available for certain frequencies. Please contact Abracon when ordering.

## TEST CIRCUIT:



# SMD CMOS PROGRAMMABLE CRYSTAL OSCILLATOR



3.2 x 2.5 x 1.2mm

AP3S



## OPTIONS & PART IDENTIFICATION:

AP3S  -  MHz -   -

Supply Voltage
*Blank: 3.3V
1: 2.5V
2: 1.8V

Frequency in MHz
Please specify the frequency in MHz. e.g. 14.31818MHz

Operating Temp.
I: 0°C ~ +50°C
E: -20°C ~ +70°C
F: -30°C ~ +70°C
N: -30°C ~ +85°C
L: -40°C ~ +85°C

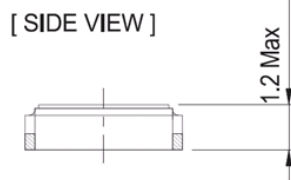
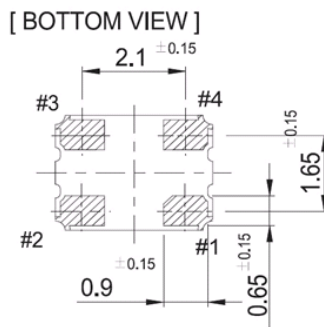
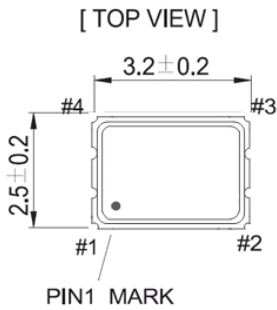
Overall Freq. Stability
J(****): ±20ppm
R: ±25ppm
K: ±30ppm
C: ±50ppm

Tri-state pin
**Blank: OE
***B: Power Down

Packaging
Blank: Bulk
T: Tape & Reel (1k/reel)
T3: Tape & Reel (3k/reel)

- \* 3.3V is standard
- \*\* OE: Tri-state the output buffer
- \*\*\* PDB: Tri-state the output buffer and shut off the oscillator, <10µA when PDB enabled.
- \*\*\*\* Available for -10 to +60°C, I, or E temp options only. Contact ABRACON for EJ or LR options. (Availability limited)

## OUTLINE DRAWING:



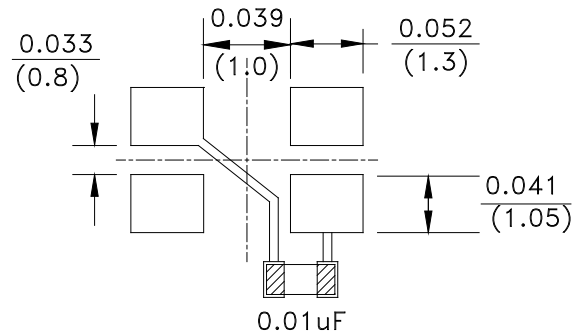
UNIT : mm

Pin	Function
1	Tri-State
2	GND/Case
3	Output
4	Vdd

### \*Note 1

- Do not leave Pin 1 (Tri-State) floating
- If Pin 1 (Tri-State) is not utilized for toggling, it must be tied to Vdd (logic 1)

### Recommended land pattern



### \*Note 2

Recommend using an approximately 0.01µF bypass capacitor between PIN 2 and 4.

Dimensions: inches (mm)

# SMD CMOS PROGRAMMABLE CRYSTAL OSCILLATOR

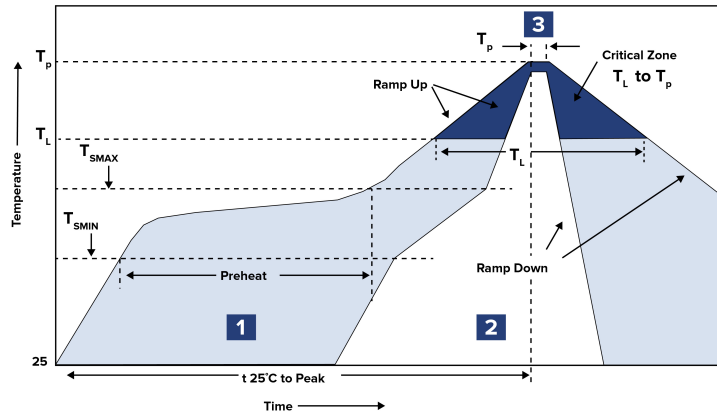


3.2 x 2.5 x 1.2mm

AP3S

**Pb** RoHS Compliant

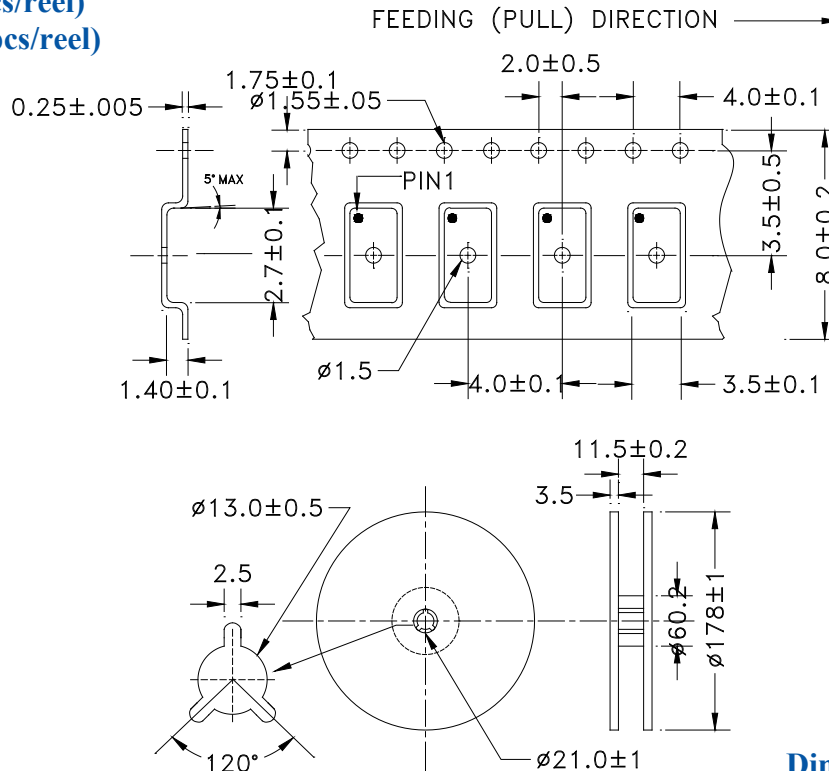
## REFLOW PROFILE



Zone	Description	Temperature	Times
1	Preheat	T <sub>SMIN</sub> ~ T <sub>SMAX</sub> 150°C ~ 180°C	60 ~ 120 sec.
2	Reflow	T <sub>L</sub> 230°C	30 ~ 40 sec.
3	Peak Heat	T <sub>P</sub> 260±5°C	10 sec. MAX

## TAPE & REEL:

T= Tape and reel (1,000pcs/reel)  
T3= Tape and reel (3,000pcs/reel)



Dimensions: mm



5101 Hidden Creek Lane Spicewood TX 78669  
Phone: 512-371-6159 | Fax: 512-351-8858  
For terms and conditions of sale please visit:  
www.abracon.com

REVISED: 03.16.2018

ABRACON IS  
ISO9001-2008  
CERTIFIED