

4

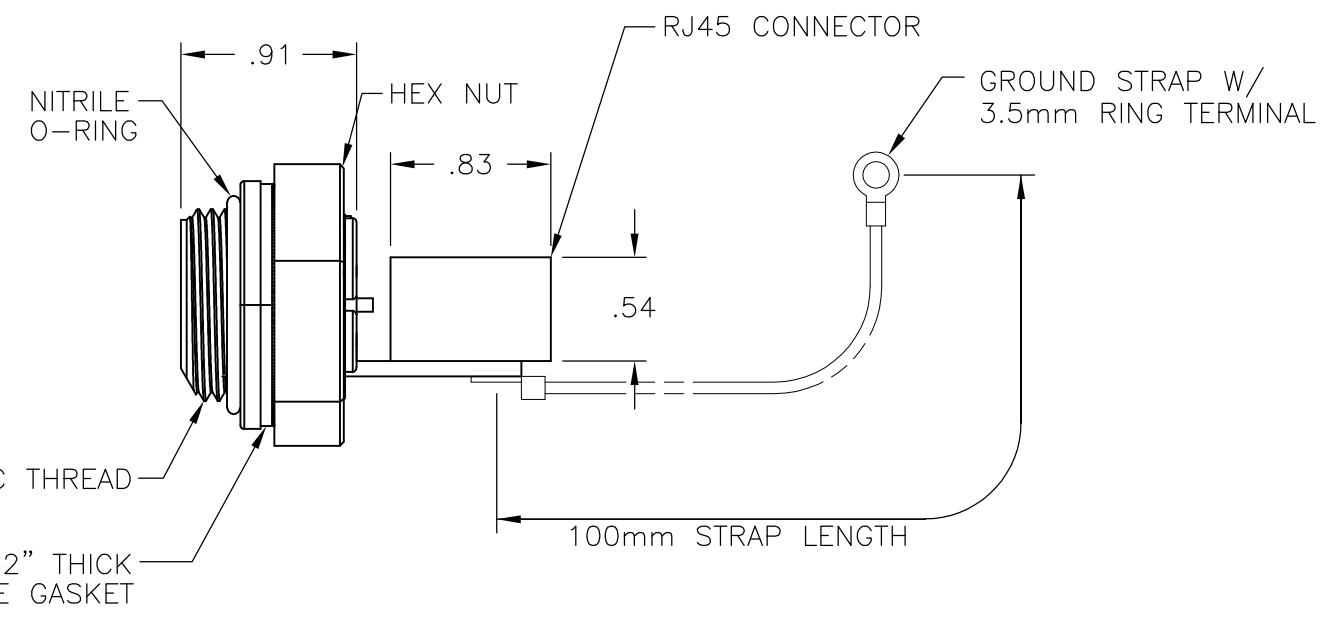
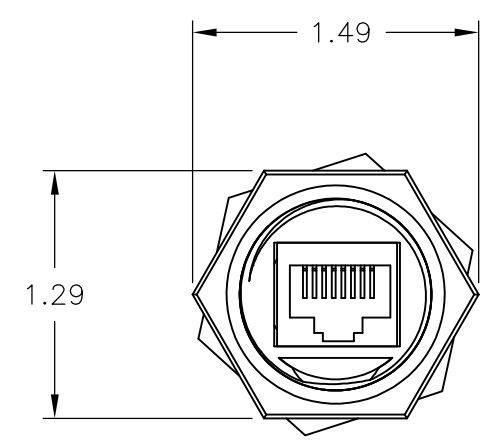
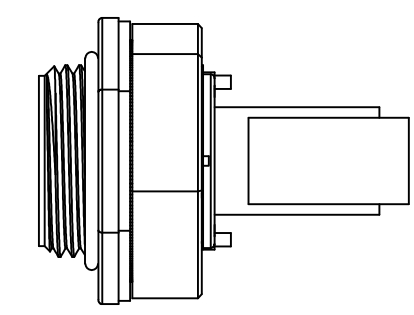
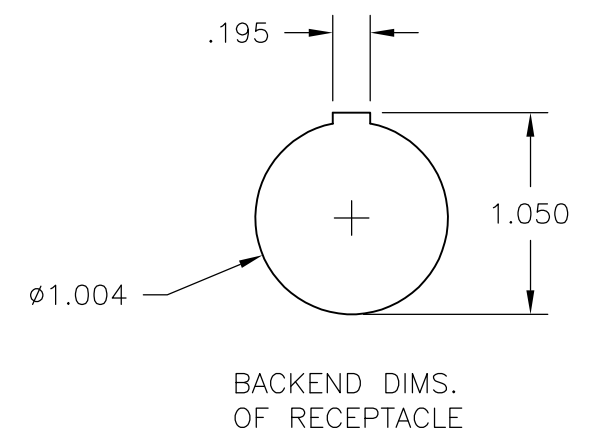
3

2

1

THIS DRAWING IS UNPUBLISHED. RELEASED FOR PUBLICATION
 © COPYRIGHT - By - ALL RIGHTS RESERVED.

LOC	DIST	REVISIONS					
		P	LTR	DESCRIPTION	DATE	DWN	APVD
-	-		C1	REVISED PER ECO-11-004587	11MAR11	RK	HMR



OBSOLETE	YES	1546413-4
	NO	1546413-3
SUPERSEDED	YES	1546413-2
SUPERSEDED	NO	1546413-1
	GROUND STRAP	PART NO.

THIS DRAWING IS A CONTROLLED DOCUMENT.		DWN	S SCHLEGEL	09OCT2002	TE Connectivity RJ-45 BULKHEAD PASS THROUGH WITH BACKSIDE JACK				
DIMENSIONS: INCHES		CHK	H WAKEEM	10/9/02				NAME	
TOLERANCES UNLESS OTHERWISE SPECIFIED:		APVD	H WAKEEM	10/9/02				PRODUCT SPEC	
MATERIAL		APPLICATION SPEC						RESTRICTED TO	
0 PLC ± - 1 PLC ± - 2 PLC ± .02 3 PLC ± .005 4 PLC ± - ANGLES ± 2'		WEIGHT			SIZE	CAGE CODE	DRAWING NO		
-		-			A3 00779		C-1546413		
CUSTOMER DRAWING					SCALE	SHEET	REV		
					NTS	1 OF 1	C1		