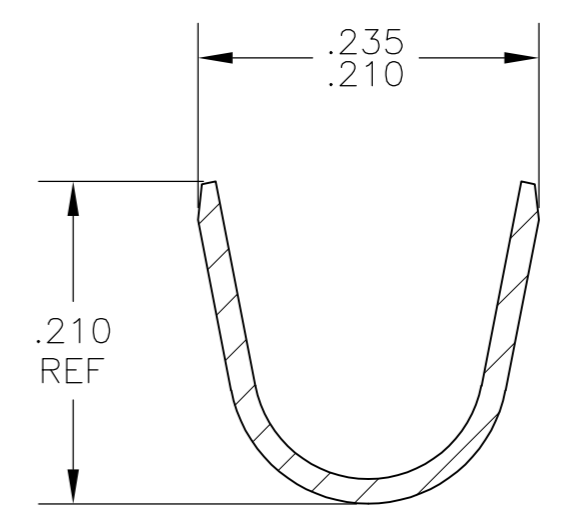
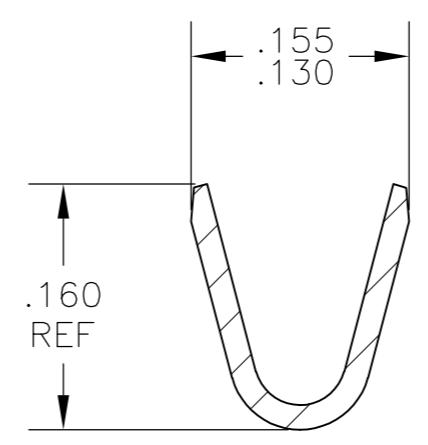
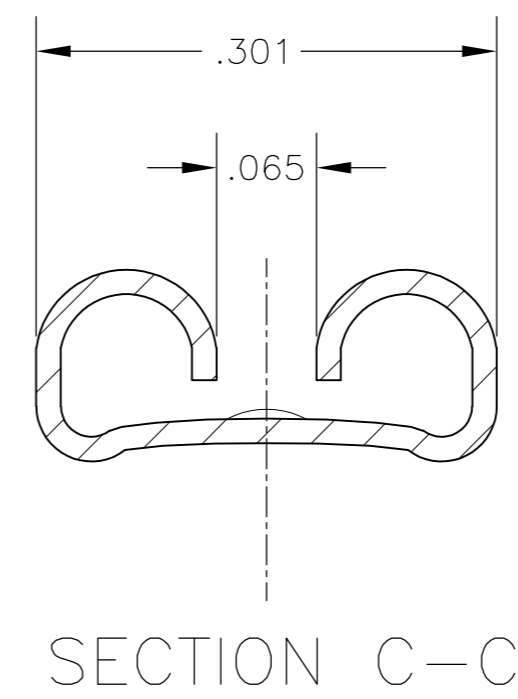
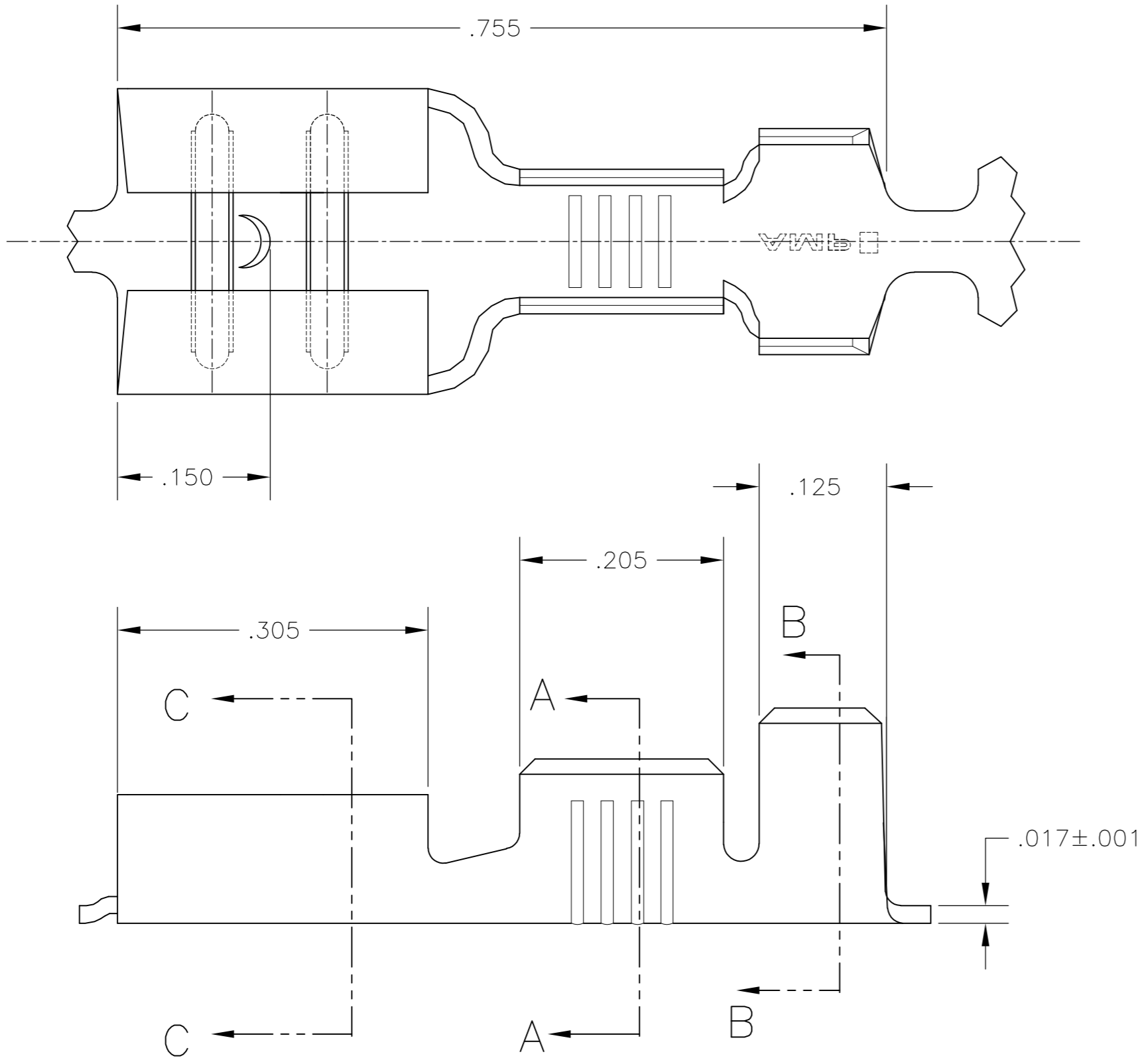


THIS DRAWING IS UNPUBLISHED. RELEASED FOR PUBLICATION  
 © COPYRIGHT - By - ALL RIGHTS RESERVED.

LOC	DIST	REVISIONS			
P	LTR	DESCRIPTION	DATE	DWN	APVD
AF	50	J	REVISED PER ECR-12-013459	29NOV2012	KH PD

- 1 CONTINUOUS STRIP ON REELS
- 2 ACCEPTS #18-#14 AWG WIRE SIZE  
CRIMP WIDTH, .120, F TYPE
- 3 INSULATION RANGE IS .120-.170 DIA  
CRIMP WIDTH, .180, F OR O TYPE
- 4 MATING TAB THK IS .032±.001.



SECTION A-A

SECTION B-B

THIS DRAWING IS A CONTROLLED DOCUMENT.		DWN	JR RUTH	24JUN02		TE Connectivity										
DIMENSIONS: INCHES		CHK	P DESANTIS	24JUN02		NAME										
TOLERANCES UNLESS OTHERWISE SPECIFIED:		APVD	P DESANTIS	24JUN02		RECEPTACLE, FASTON, .250 SERIES										
0 PLC ± - 1 PLC ± - 2 PLC ± - 3 PLC ± .010 4 PLC ± - ANGLES ± -		PRODUCT SPEC		APPLICATION SPEC		RESTRICTED TO										
MATERIAL	BRASS	FINISH	.000015 MIN SILVER		SIZE	A2	CAGE CODE	00779	DRAWING NO	C=61107	SCALE	8:1	SHEET	1 of 1	REV	J
CUSTOMER DRAWING																

61107-1  
 PART NO