

# MC74AC08, MC74ACT08

## Quad 2-Input AND Gate

### High-Performance Silicon-Gate CMOS

#### Features

- Outputs Source/Sink 24 mA
- 'ACT08 Has TTL Compatible Inputs
- These are Pb-Free Devices

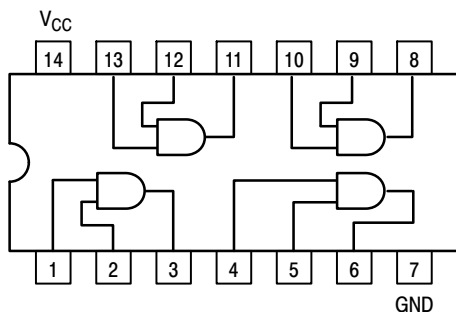


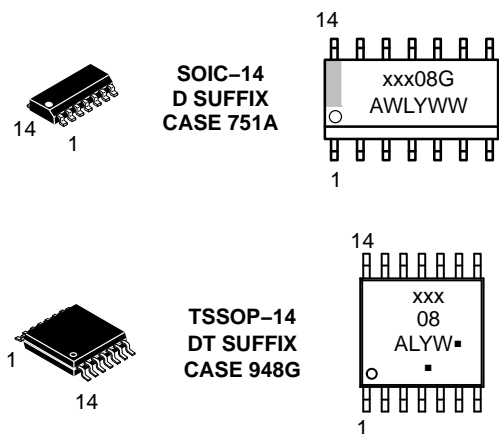
Figure 1. Pinout: 14-Lead Packages Conductors (Top View)



ON Semiconductor®

[www.onsemi.com](http://www.onsemi.com)

#### MARKING DIAGRAMS



xxx = AC or ACT  
 A = Assembly Location  
 WL or L = Wafer Lot  
 Y = Year  
 WW or W = Work Week  
 G or ■ = Pb-Free Package

(Note: Microdot may be in either location)

#### ORDERING INFORMATION

See detailed ordering and shipping information in the package dimensions section on page 5 of this data sheet.

# MC74AC08, MC74ACT08

## MAXIMUM RATINGS

| Symbol                | Parameter                                       | Value   | Unit       |
|-----------------------|---|---|------------|
| V <sub>CC</sub>       | DC Supply Voltage                               | -0.5 to +7.0  | V          |
| V <sub>I</sub>        | DC Input Voltage                                | -0.5 ≤ V <sub>I</sub> ≤ V <sub>CC</sub> + 0.5   | V          |
| V <sub>O</sub>        | DC Output Voltage (Note 1)                      | -0.5 ≤ V <sub>O</sub> ≤ V <sub>CC</sub> + 0.5   | V          |
| I <sub>IK</sub>       | DC Input Diode Current                          | ±20   | mA         |
| I <sub>OK</sub>       | DC Output Diode Current                         | ±50   | mA         |
| I <sub>O</sub>        | DC Output Sink/Source Current                   | ±50   | mA         |
| I <sub>CC</sub>       | DC Supply Current per Output Pin                | ±50   | mA         |
| I <sub>GND</sub>      | DC Ground Current per Output Pin                | ±50   | mA         |
| T <sub>STG</sub>      | Storage Temperature Range                       | -65 to +150   | °C         |
| T <sub>L</sub>        | Lead temperature, 1 mm from Case for 10 Seconds | 260   | °C         |
| T <sub>J</sub>        | Junction temperature under Bias                 | +150  | °C         |
| θ <sub>JA</sub>       | Thermal Resistance (Note 2)                     | SOIC<br>TSSOP<br>125<br>170   | °C/W       |
| P <sub>D</sub>        | Power Dissipation in Still Air at 85°C          | SOIC<br>TSSOP<br>125<br>170   | mW         |
| MSL                   | Moisture Sensitivity                            | Level 1   |            |
| F <sub>R</sub>        | Flammability Rating                             | Oxygen Index: 30% – 35%<br>UL 94 V-0 @ 0.125 in   |            |
| V <sub>ESD</sub>      | ESD Withstand Voltage                           | Human Body Model (Note 3)<br>Machine Model (Note 4)<br>Charged Device Model (Note 5)<br>> 2000<br>> 200<br>> 1000 | V          |
| I <sub>Latch-Up</sub> | Latch-Up Performance                            | Above V <sub>CC</sub> and Below GND at 85°C (Note 6)  | ±100<br>mA |

Stresses exceeding those listed in the Maximum Ratings table may damage the device. If any of these limits are exceeded, device functionality should not be assumed, damage may occur and reliability may be affected.

1. I<sub>O</sub> absolute maximum rating must be observed.
2. The package thermal impedance is calculated in accordance with JESD51-7.
3. Tested to EIA/JESD22-A114-A.
4. Tested to EIA/JESD22-A115-A.
5. Tested to JESD22-C101-A.
6. Tested to EIA/JESD78.

## RECOMMENDED OPERATING CONDITIONS

| Symbol                             | Parameter   | Min                     | Typ | Max             | Unit |      |
|------------------------------------|---|-------------------------|-----|-----------------|------|------|
| V <sub>CC</sub>                    | Supply Voltage  | 'AC                     | 2.0 | 5.0             | 6.0  | V    |
|                                    |   | 'ACT                    | 4.5 | 5.0             | 5.5  |      |
| V <sub>in</sub> , V <sub>out</sub> | DC Input Voltage, Output Voltage (Ref. to GND)                          | 0                       | -   | V <sub>CC</sub> | V    |      |
| t <sub>r</sub> , t <sub>f</sub>    | Input Rise and Fall Time (Note 1)<br>'AC Devices except Schmitt Inputs  | V <sub>CC</sub> @ 3.0 V | -   | 150             | -    | ns/V |
|                                    |   | V <sub>CC</sub> @ 4.5 V | -   | 40              | -    |      |
|                                    |   | V <sub>CC</sub> @ 5.5 V | -   | 25              | -    |      |
| t <sub>r</sub> , t <sub>f</sub>    | Input Rise and Fall Time (Note 2)<br>'ACT Devices except Schmitt Inputs | V <sub>CC</sub> @ 4.5 V | -   | 10              | -    | ns/V |
|                                    |   | V <sub>CC</sub> @ 5.5 V | -   | 8.0             | -    |      |
| T <sub>J</sub>                     | Junction Temperature (PDIP)   | -                       | -   | 140             | °C   |      |
| T <sub>A</sub>                     | Operating Ambient Temperature Range                                     | -40                     | 25  | 85              | °C   |      |
| I <sub>OH</sub>                    | Output Current – High   | -                       | -   | -24             | mA   |      |
| I <sub>OL</sub>                    | Output Current – Low  | -                       | -   | 24              | mA   |      |

Functional operation above the stresses listed in the Recommended Operating Ranges is not implied. Extended exposure to stresses beyond the Recommended Operating Ranges limits may affect device reliability.

1. V<sub>in</sub> from 30% to 70% V<sub>CC</sub>; see individual Data Sheets for devices that differ from the typical input rise and fall times.
2. V<sub>in</sub> from 0.8 V to 2.0 V; see individual Data Sheets for devices that differ from the typical input rise and fall times.

# MC74AC08, MC74ACT08

## DC CHARACTERISTICS

| Symbol                 | Parameter                               | Conditions  | V <sub>CC</sub> (V)   | 74AC                   |                   | 74AC                            |    | Unit |
|------------------------|---|---|-----------------------|------------------------|-------------------|---------------------------------|----|------|
|                        |   |   |                       | T <sub>A</sub> = +25°C |                   | T <sub>A</sub> = -40°C to +85°C |    |      |
|                        |   |   |                       | Typ                    | Guaranteed Limits |                                 |    |      |
| V <sub>IH</sub>        | Minimum High Level Input Voltage        | V <sub>OUT</sub> = 0.1 V<br>or V <sub>CC</sub> - 0.1 V        | 3.0                   | 1.5                    | 2.1               | 2.1                             | V  |      |
|                        |   |   | 4.5                   | 2.25                   | 3.15              | 3.15                            |    |      |
|                        |   |   | 5.5                   | 2.75                   | 3.85              | 3.85                            |    |      |
| V <sub>IL</sub>        | Maximum Low Level Input Voltage         | V <sub>OUT</sub> = 0.1 V<br>or V <sub>CC</sub> - 0.1 V        | 3.0                   | 1.5                    | 0.9               | 0.9                             | V  |      |
|                        |   |   | 4.5                   | 2.25                   | 1.35              | 1.35                            |    |      |
|                        |   |   | 5.5                   | 2.75                   | 1.65              | 1.65                            |    |      |
| V <sub>OH</sub>        | Minimum High Level Output Voltage       | I <sub>OUT</sub> = -50 μA                                     | 3.0                   | 2.99                   | 2.9               | 2.9                             | V  |      |
|                        |   |   | 4.5                   | 4.49                   | 4.4               | 4.4                             |    |      |
|                        |   |   | 5.5                   | 5.49                   | 5.4               | 5.4                             |    |      |
|                        |   | V <sub>IN</sub> = V <sub>IL</sub> or V <sub>IH</sub> (Note 3) |                       |                        |                   |                                 | V  |      |
| -12 mA                 | 3.0                                     | -   | 2.56                  | 2.46                   |                   |                                 |    |      |
| I <sub>OH</sub> -24 mA | 4.5                                     | -   | 3.86                  | 3.76                   |                   |                                 |    |      |
|                        |   | -24 mA  | 5.5                   | -                      | 4.86              | 4.76                            |    |      |
| V <sub>OL</sub>        | Maximum Low Level Output Voltage        | V <sub>IN</sub> = V <sub>IL</sub> or V <sub>IH</sub> (Note 3) | 3.0                   | -                      | 0.36              | 0.44                            | V  |      |
|                        |   |   | 12 mA                 |                        |                   |                                 |    |      |
|                        |   |   | I <sub>OL</sub> 24 mA | 4.5                    | -                 | 0.36                            |    | 0.44 |
|                        |   | 24 mA   | 5.5                   | -                      | 0.36              | 0.44                            |    |      |
| I <sub>IN</sub>        | Maximum Input Leakage Current           | V <sub>I</sub> = V <sub>CC</sub> , GND                        | 5.5                   | -                      | ±0.1              | ±1.0                            | μA |      |
| I <sub>OLD</sub>       | Minimum Dynamic (Note 4) Output Current | V <sub>OLD</sub> = 1.65 V Max                                 | 5.5                   | -                      | -                 | 75                              | mA |      |
| I <sub>OHD</sub>       |   | V <sub>OHD</sub> = 3.85 V Min                                 | 5.5                   | -                      | -                 | -75                             | mA |      |
| I <sub>CC</sub>        | Maximum Quiescent Supply Current        | V <sub>IN</sub> = V <sub>CC</sub> or GND                      | 5.5                   | -                      | 4.0               | 40                              | μA |      |

Product parametric performance is indicated in the Electrical Characteristics for the listed test conditions, unless otherwise noted. Product performance may not be indicated by the Electrical Characteristics if operated under different conditions.

NOTE: I<sub>IN</sub> and I<sub>CC</sub> @ 3.0 V are guaranteed to be less than or equal to the respective limit @ 5.5 V V<sub>CC</sub>.

3. All outputs loaded; thresholds on input associated with output under test.

4. Maximum test duration 2.0 ms, one output loaded at a time.

## AC CHARACTERISTICS

| Symbol           | Parameter         | V <sub>CC</sub> (V)<br>(Note5) | 74AC   |     |     | 74AC   |      | Unit | Fig. No. |
|------------------|-------------------|--------------------------------|--|-----|-----|--|------|------|----------|
|                  |                   |                                | T <sub>A</sub> = +25°C<br>C <sub>L</sub> = 50 pF |     |     | T <sub>A</sub> = -40°C<br>to +85°C<br>C <sub>L</sub> = 50 pF |      |      |          |
|                  |                   |                                | Min  | Typ | Max | Min  | Max  |      |          |
| t <sub>PLH</sub> | Propagation Delay | 3.3                            | 1.5  | 7.5 | 9.5 | 1.0  | 10.0 | ns   | 3-5      |
|                  |                   | 5.0                            | 1.5  | 5.5 | 7.5 | 1.0  | 8.5  |      |          |
| t <sub>PHL</sub> | Propagation Delay | 3.3                            | 1.5  | 7.0 | 8.5 | 1.0  | 9.0  | ns   | 3-5      |
|                  |                   | 5.0                            | 1.5  | 5.5 | 7.0 | 1.0  | 7.5  |      |          |

5. Voltage Range 3.3 V is 3.3 V ±0.3 V.  
Voltage Range 5.0 V is 5.0 V ±0.5 V.

# MC74AC08, MC74ACT08

## DC CHARACTERISTICS

| Symbol             | Parameter                               | Conditions  | V <sub>CC</sub> (V) | 74ACT                  |                   | 74ACT                           |      | Unit |
|--------------------|---|---|---------------------|------------------------|-------------------|---------------------------------|------|------|
|                    |   |   |                     | T <sub>A</sub> = +25°C |                   | T <sub>A</sub> = -40°C to +85°C |      |      |
|                    |   |   |                     | Typ                    | Guaranteed Limits |                                 |      |      |
| V <sub>IH</sub>    | Minimum High Level Input Voltage        | V <sub>OUT</sub> = 0.1 V<br>or V <sub>CC</sub> - 0.1 V        | 4.5                 | 1.5                    | 2.0               | 2.0                             | V    |      |
|                    |   |   | 5.5                 | 1.5                    | 2.0               | 2.0                             |      |      |
| V <sub>IL</sub>    | Maximum Low Level Input Voltage         | V <sub>OUT</sub> = 0.1 V<br>or V <sub>CC</sub> - 0.1 V        | 4.5                 | 1.5                    | 0.8               | 0.8                             | V    |      |
|                    |   |   | 5.5                 | 1.5                    | 0.8               | 0.8                             |      |      |
| V <sub>OH</sub>    | Minimum High Level Output Voltage       | I <sub>OUT</sub> = -50 μA                                     | 4.5                 | 4.49                   | 4.4               | 4.4                             | V    |      |
|                    |   |   | 5.5                 | 5.49                   | 5.4               | 5.4                             |      |      |
|                    |   | V <sub>IN</sub> = V <sub>IL</sub> or V <sub>IH</sub> (Note 6) | -24 mA              | 4.5                    | -                 | 3.86                            | 3.76 | V    |
|                    |   |   | -24 mA              | 5.5                    | -                 | 4.86                            | 4.76 |      |
| V <sub>OL</sub>    | Maximum Low Level Output Voltage        | I <sub>OUT</sub> = 50 μA                                      | 4.5                 | 0.001                  | 0.1               | 0.1                             | V    |      |
|                    |   |   | 5.5                 | 0.001                  | 0.1               | 0.1                             |      |      |
|                    |   | V <sub>IN</sub> = V <sub>IL</sub> or V <sub>IH</sub> (Note 6) | 24 mA               | 4.5                    | -                 | 0.36                            | 0.44 | V    |
|                    |   |   | 24 mA               | 5.5                    | -                 | 0.36                            | 0.44 |      |
| I <sub>IN</sub>    | Maximum Input Leakage Current           | V <sub>I</sub> = V <sub>CC</sub> , GND                        | 5.5                 | -                      | ±0.1              | ±1.0                            | μA   |      |
| ΔI <sub>CCCT</sub> | Additional Max. I <sub>CC</sub> /Input  | V <sub>I</sub> = V <sub>CC</sub> - 2.1 V                      | 5.5                 | 0.6                    | -                 | 1.5                             | mA   |      |
| I <sub>OLD</sub>   | Minimum Dynamic (Note 7) Output Current | V <sub>OLD</sub> = 1.65 V Max                                 | 5.5                 | -                      | -                 | 75                              | mA   |      |
| I <sub>OHD</sub>   |   | V <sub>OHD</sub> = 3.85 V Min                                 | 5.5                 | -                      | -                 | -75                             | mA   |      |
| I <sub>CC</sub>    | Maximum Quiescent Supply Current        | V <sub>IN</sub> = V <sub>CC</sub> or GND                      | 5.5                 | -                      | 4.0               | 40                              | μA   |      |

Product parametric performance is indicated in the Electrical Characteristics for the listed test conditions, unless otherwise noted. Product performance may not be indicated by the Electrical Characteristics if operated under different conditions.

6. All outputs loaded; thresholds on input associated with output under test.

7. Maximum test duration 2.0 ms, one output loaded at a time.

## AC CHARACTERISTICS

| Symbol           | Parameter         | V <sub>CC</sub> (V)<br>(Note 8) | 74ACT  |     |     | 74ACT   |      | Unit | Fig. No. |
|------------------|-------------------|---------------------------------|--|-----|-----|---|------|------|----------|
|                  |                   |                                 | T <sub>A</sub> = +25°C<br>C <sub>L</sub> = 50 pF |     |     | T <sub>A</sub> = -40°C to +85°C<br>C <sub>L</sub> = 50 pF |      |      |          |
|                  |                   |                                 | Min  | Typ | Max | Min   | Max  |      |          |
| t <sub>PLH</sub> | Propagation Delay | 5.0                             | 1.0  | -   | 9.0 | 1.0   | 10.0 | ns   | 3-5      |
| t <sub>PHL</sub> | Propagation Delay | 5.0                             | 1.0  | -   | 9.0 | 1.0   | 10.0 | ns   | 3-5      |

8. Voltage Range 5.0 V is 5.0 V ±0.5 V.

## CAPACITANCE

| Symbol          | Parameter                     | Test Conditions         | Value Typ | Unit |
|-----------------|-------------------------------|-------------------------|-----------|------|
| C <sub>IN</sub> | Input Capacitance             | V <sub>CC</sub> = 5.0 V | 4.5       | pF   |
| C <sub>PD</sub> | Power Dissipation Capacitance | V <sub>CC</sub> = 5.0 V | 20        | pF   |

## MC74AC08, MC74ACT08

### ORDERING INFORMATION

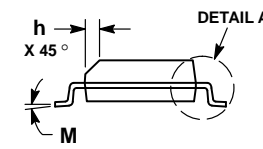
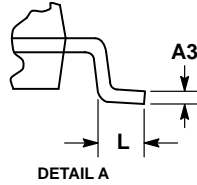
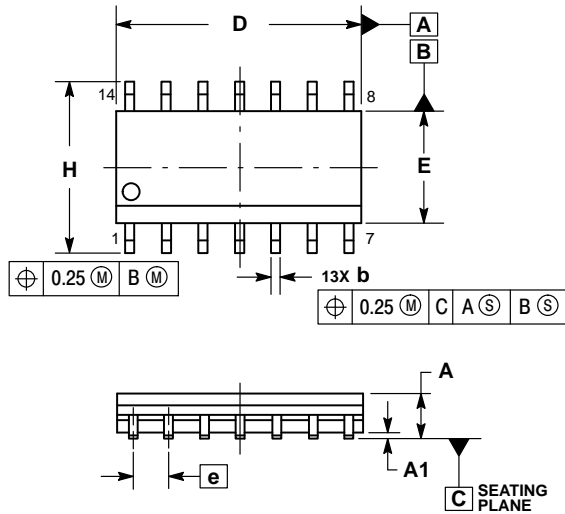
| Device         | Package               | Shipping†          |
|----------------|-----------------------|--------------------|
| MC74AC08DG     | SOIC-14<br>(Pb-Free)  | 55 Units / Rail    |
| MC74AC08DR2G   | SOIC-14<br>(Pb-Free)  | 2500 / Tape & Reel |
| MC74AC08DTR2G  | TSSOP-14<br>(Pb-Free) | 2500 / Tape & Reel |
| MC74ACT08DG    | SOIC-14<br>(Pb-Free)  | 55 Units / Rail    |
| MC74ACT08DR2G  | SOIC-14<br>(Pb-Free)  | 2500 / Tape & Reel |
| MC74ACT08DTR2G | TSSOP-14<br>(Pb-Free) | 2500 / Tape & Reel |

†For information on tape and reel specifications, including part orientation and tape sizes, please refer to our Tape and Reel Packaging Specifications Brochure, BRD8011/D.

# MC74AC08, MC74ACT08

## PACKAGE DIMENSIONS

SOIC-14 NB  
CASE 751A-03  
ISSUE K

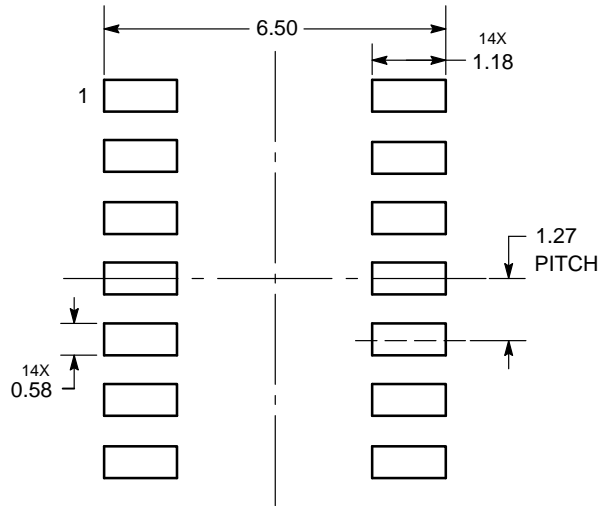


NOTES:

1. DIMENSIONING AND TOLERANCING PER ASME Y14.5M, 1994.
2. CONTROLLING DIMENSION: MILLIMETERS.
3. DIMENSION b DOES NOT INCLUDE DAMBAR PROTRUSION. ALLOWABLE PROTRUSION SHALL BE 0.13 TOTAL IN EXCESS OF AT MAXIMUM MATERIAL CONDITION.
4. DIMENSIONS D AND E DO NOT INCLUDE MOLD PROTRUSIONS.
5. MAXIMUM MOLD PROTRUSION 0.15 PER SIDE.

| DIM | MILLIMETERS |      | INCHES    |       |
|-----|-------------|------|-----------|-------|
|     | MIN         | MAX  | MIN       | MAX   |
| A   | 1.35        | 1.75 | 0.054     | 0.068 |
| A1  | 0.10        | 0.25 | 0.004     | 0.010 |
| A3  | 0.19        | 0.25 | 0.008     | 0.010 |
| b   | 0.35        | 0.49 | 0.014     | 0.019 |
| D   | 8.55        | 8.75 | 0.337     | 0.344 |
| E   | 3.80        | 4.00 | 0.150     | 0.157 |
| e   | 1.27 BSC    |      | 0.050 BSC |       |
| H   | 5.80        | 6.20 | 0.228     | 0.244 |
| h   | 0.25        | 0.50 | 0.010     | 0.019 |
| L   | 0.40        | 1.25 | 0.016     | 0.049 |
| M   | 0°          | 7°   | 0°        | 7°    |

### SOLDERING FOOTPRINT\*



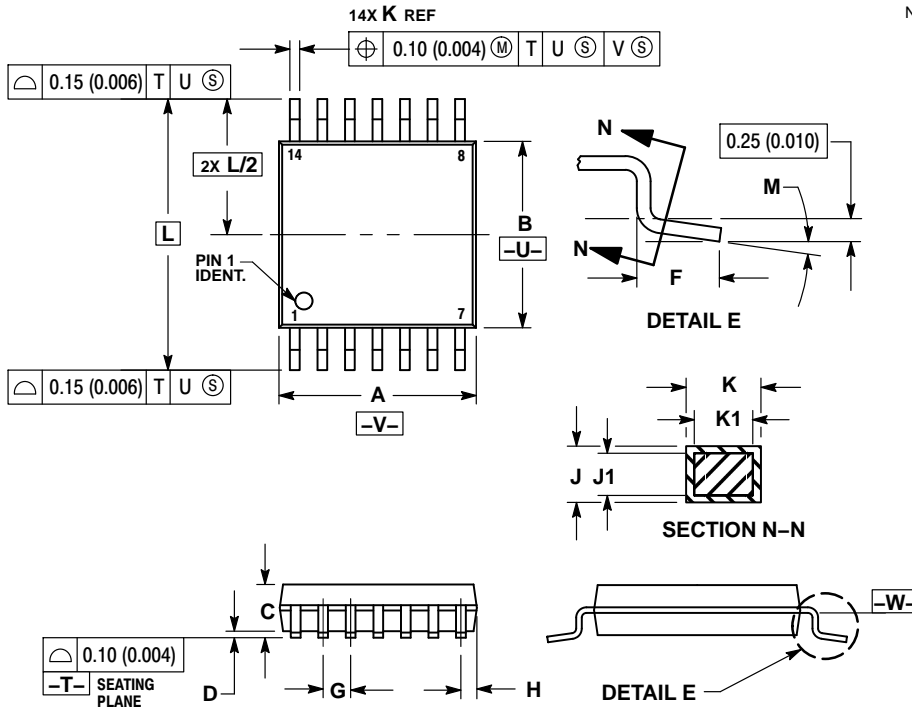
DIMENSIONS: MILLIMETERS

\*For additional information on our Pb-Free strategy and soldering details, please download the ON Semiconductor Soldering and Mounting Techniques Reference Manual, SOLDERRM/D.

# MC74AC08, MC74ACT08

## PACKAGE DIMENSIONS

TSSOP-14  
CASE 948G  
ISSUE B

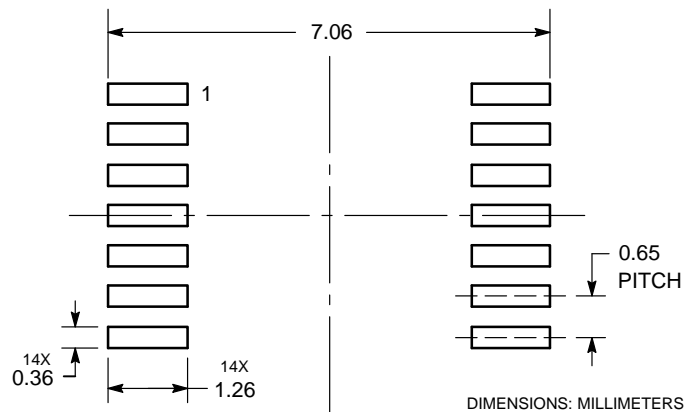


NOTES:

1. DIMENSIONING AND TOLERANCING PER ANSI Y14.5M, 1982.
2. CONTROLLING DIMENSION: MILLIMETER.
3. DIMENSION A DOES NOT INCLUDE MOLD FLASH, PROTRUSIONS OR GATE BURRS. MOLD FLASH OR GATE BURRS SHALL NOT EXCEED 0.15 (0.006) PER SIDE.
4. DIMENSION B DOES NOT INCLUDE INTERLEAD FLASH OR PROTRUSION. INTERLEAD FLASH OR PROTRUSION SHALL NOT EXCEED 0.25 (0.010) PER SIDE.
5. DIMENSION K DOES NOT INCLUDE DAMBAR PROTRUSION. ALLOWABLE DAMBAR PROTRUSION SHALL BE 0.08 (0.003) TOTAL IN EXCESS OF THE K DIMENSION AT MAXIMUM MATERIAL CONDITION.
6. TERMINAL NUMBERS ARE SHOWN FOR REFERENCE ONLY.
7. DIMENSION A AND B ARE TO BE DETERMINED AT DATUM PLANE -W-.


| DIM | MILLIMETERS |      | INCHES    |       |
|-----|-------------|------|-----------|-------|
|     | MIN         | MAX  | MIN       | MAX   |
| A   | 4.90        | 5.10 | 0.193     | 0.200 |
| B   | 4.30        | 4.50 | 0.169     | 0.177 |
| C   | ---         | 1.20 | ---       | 0.047 |
| D   | 0.05        | 0.15 | 0.002     | 0.006 |
| F   | 0.50        | 0.75 | 0.020     | 0.030 |
| G   | 0.65 BSC    |      | 0.026 BSC |       |
| H   | 0.50        | 0.60 | 0.020     | 0.024 |
| J   | 0.09        | 0.20 | 0.004     | 0.008 |
| J1  | 0.09        | 0.16 | 0.004     | 0.006 |
| K   | 0.19        | 0.30 | 0.007     | 0.012 |
| K1  | 0.19        | 0.25 | 0.007     | 0.010 |
| L   | 6.40 BSC    |      | 0.252 BSC |       |
| M   | 0°          | 8°   | 0°        | 8°    |

### SOLDERING FOOTPRINT\*



\*For additional information on our Pb-Free strategy and soldering details, please download the ON Semiconductor Soldering and Mounting Techniques Reference Manual, SOLDERRM/D.

# MC74AC08, MC74ACT08

ON Semiconductor and the  are registered trademarks of Semiconductor Components Industries, LLC (SCILLC) or its subsidiaries in the United States and/or other countries. SCILLC owns the rights to a number of patents, trademarks, copyrights, trade secrets, and other intellectual property. A listing of SCILLC's product/patent coverage may be accessed at [www.onsemi.com/site/pdf/Patent-Marking.pdf](http://www.onsemi.com/site/pdf/Patent-Marking.pdf). SCILLC reserves the right to make changes without further notice to any products herein. SCILLC makes no warranty, representation or guarantee regarding the suitability of its products for any particular purpose, nor does SCILLC assume any liability arising out of the application or use of any product or circuit, and specifically disclaims any and all liability, including without limitation special, consequential or incidental damages. "Typical" parameters which may be provided in SCILLC data sheets and/or specifications can and do vary in different applications and actual performance may vary over time. All operating parameters, including "Typicals" must be validated for each customer application by customer's technical experts. SCILLC does not convey any license under its patent rights nor the rights of others. SCILLC products are not designed, intended, or authorized for use as components in systems intended for surgical implant into the body, or other applications intended to support or sustain life, or for any other application in which the failure of the SCILLC product could create a situation where personal injury or death may occur. Should Buyer purchase or use SCILLC products for any such unintended or unauthorized application, Buyer shall indemnify and hold SCILLC and its officers, employees, subsidiaries, affiliates, and distributors harmless against all claims, costs, damages, and expenses, and reasonable attorney fees arising out of, directly or indirectly, any claim of personal injury or death associated with such unintended or unauthorized use, even if such claim alleges that SCILLC was negligent regarding the design or manufacture of the part. SCILLC is an Equal Opportunity/Affirmative Action Employer. This literature is subject to all applicable copyright laws and is not for resale in any manner.

## PUBLICATION ORDERING INFORMATION

### LITERATURE FULFILLMENT:

Literature Distribution Center for ON Semiconductor  
P.O. Box 5163, Denver, Colorado 80217 USA  
**Phone:** 303-675-2175 or 800-344-3860 Toll Free USA/Canada  
**Fax:** 303-675-2176 or 800-344-3867 Toll Free USA/Canada  
**Email:** [orderlit@onsemi.com](mailto:orderlit@onsemi.com)

**N. American Technical Support:** 800-282-9855 Toll Free  
USA/Canada  
**Europe, Middle East and Africa Technical Support:**  
Phone: 421 33 790 2910  
**Japan Customer Focus Center**  
Phone: 81-3-5817-1050

**ON Semiconductor Website:** [www.onsemi.com](http://www.onsemi.com)  
**Order Literature:** <http://www.onsemi.com/orderlit>  
For additional information, please contact your local  
Sales Representative