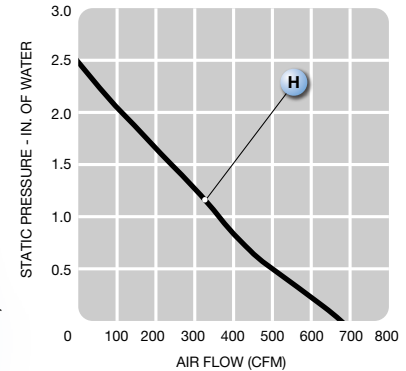
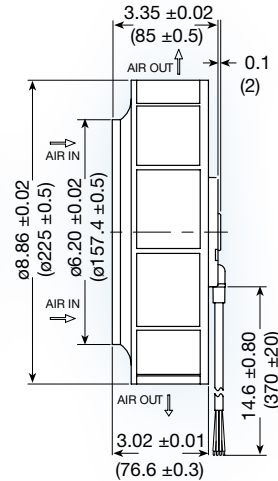
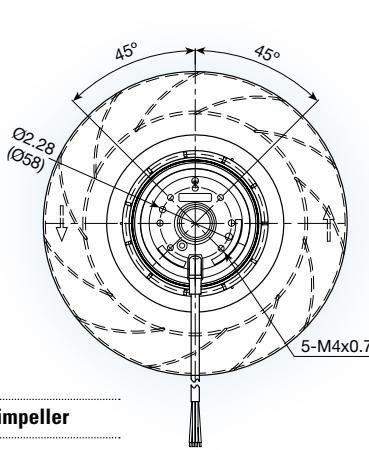


UF225(85)APA series



(225 dia. x 85 mm)

8.86 dia. x 3.35 inches



Features: backward curved impeller

Operating voltage: 115 or 230 VAC

Operating temp. -40° ~ 50°C

Construction: aluminum die cast motor base;
UL94V-0 reinforced nylon
impeller

Bearing option: ball bearing

Motor: permanent split capacitor
required capacitor included

Air Flow: centrifugal

Connection: AWM 2517 lead wires

Protection: thermal

Option: tachometer output

Model No.	Rated Voltage	Freq.	Input Power	Rated Cur.	Locked Cur.	Speed	Air Volume		Max. Static Pressure (H ₂ O)		Sound Noise	Weight
	V	HZ	W	A	A	RPM	M ³ /Min.	CFM	MM	INCH	dBa	kg
UF225(85)APA12-H1C2A	115	60	135	1.20	2.30	3,000	19.2	680	64	2.5	75	2.3
UF225(85)APA23-H1C2A	230	60	135	0.60	1.15	3,000	19.2	680	64	2.5	75	2.3