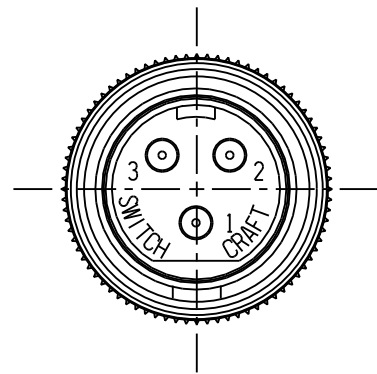


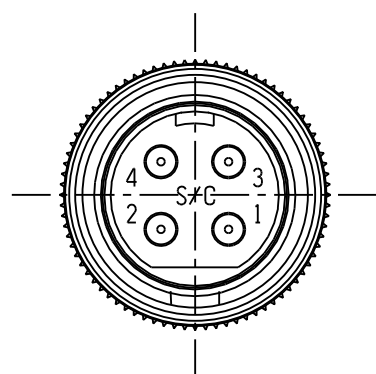
**SL402MX**

2 PIN



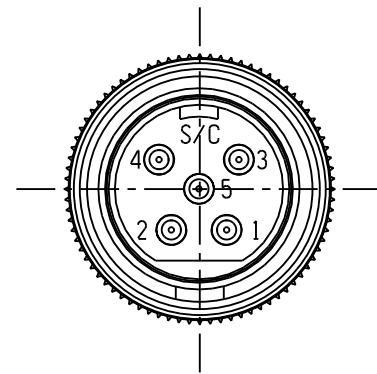
**SL403MX**

3 PIN



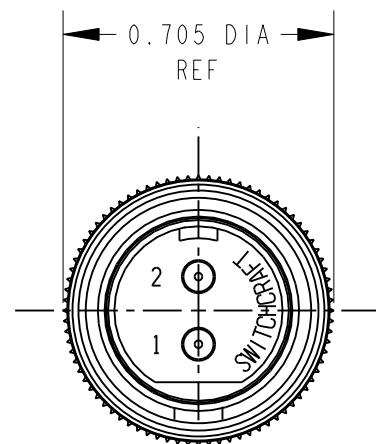
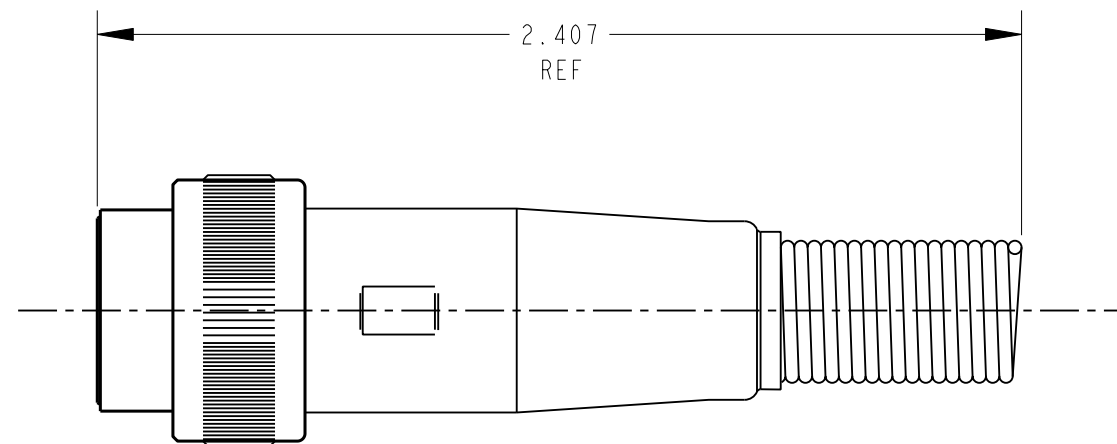
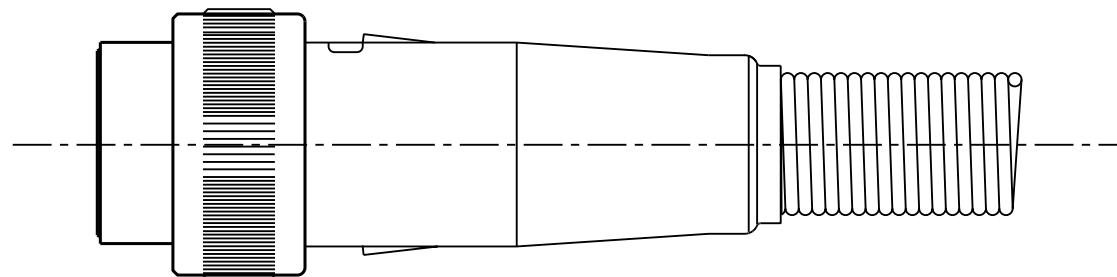
**SL404MX**

4 PIN



**SL405MX**

5 PIN



CUSTOMER DRAWING

NOTES:

- MATERIALS:  
 HOUSING - COPPER ALLOY, NICKEL PLATED  
 INSERT - GLASS REINFORCED THERMOPLASTIC  
 CONTACTS - COPPER ALLOY SILVER PLATED  
 CABLE CLAMP - STEEL, TIN PLATED  
 STRAIN RELIEF - STEEL, NICKEL PLATED  
 LATCH - STEEL, NICKEL PLATED
- THESE PRODUCTS ARE RoHS COMPLIANT.

REV	ECO NUMBER	DATE	BY	APVD
A	26152	9-18-06	JEB	TJK
REVISIONS				

★ STAR SYMBOL DENOTES CRITICAL DIMENSION

UNLESS OTHERWISE SPECIFIED

- ALL DIMENSIONS IN INCHES  
 - TWO PLACE DECIMALS ±0.01  
 - THREE PLACE DECIMALS ±0.005  
 - ANGLES ±1°  
 - ALL DIA. CONCENTRIC WITHIN 0.005 T.I.R.
- FEATURES ON THE SAME CENTERLINE MUST BE ALIGNED WITHIN ±0.002
- REMOVE ALL BURRS

DO NOT SCALE DRAWING

THIS DRAWING DESCRIBES A DESIGN CONSIDERED PROPRIETARY IN NATURE, DEVELOPED AND MANUFACTURED BY SWITCHCRAFT INC. AND IS RELEASED ON A CONFIDENTIAL BASIS FOR IDENTIFICATION PURPOSES ONLY.									
SIZE		WIDTH		MULT		LBS/M		TEMPER	
FINISH					MATERIAL				
SPEC No.					SPEC No.				
FIRST USED ON				SCALE					
				2:1					
DATE DRAWN	BY	CHKD	APVD	<b>Switchcraft®</b>					
07-Jan-09	JEB	JEB	TJK						
				SHEET		OF		REV	
NAME				PART No.		REV			
SLIM-LINE MALE				SL402MX-SL405MX		A			
CORD PLUG CONNECTOR, RoHS									