



# SAW Components

Data Sheet B7704





SAW Components

B7704

Low-Loss Filter for Mobile Communication

881,5 MHz

Data Sheet



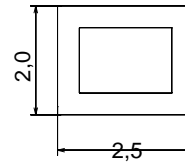
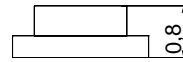
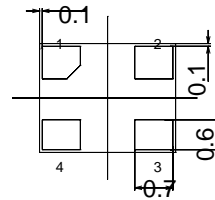
Chip Sized SAW Package DCS4C

Features

- Low-loss RF filter for mobile telephone  
Cell systems, receive path
- Low amplitude ripple
- Usable passband 25 MHz
- Suitable for GPRS class 1 to12
- Package for Surface Mounted  
Technology (SMT)

Terminals

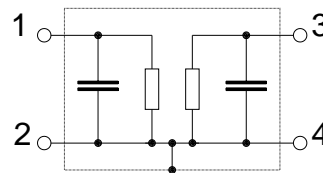
- Gold-plated Ni



Dimensions in mm, approx. weight 0,015 g

Pin configuration

- 1 Input
- 3 Output
- 2, 4 Ground



Type	Ordering code	Marking and Package according to	Packing according to
B7704	B39881-B7704-C510	C61157-A7-A80	F61074-V8104-Z000

Electrostatic Sensitive Device (ESD)

Maximum ratings

Operating temperature range	$T$	- 30/+ 85	°C	peak power of GSM signal, duty cycle 4:8
Storage temperature range	$T_{stg}$	- 40/+ 85	°C	
DC voltage	$V_{DC}$	5	V	
Input power at GSM850, GSM900, GSM1800 and GSM1900 Tx bands	$P_{IN}$	15	dBm	



**Characteristics**

Operating temperature range:  $T = -20$  to  $+80$  °C  
 Terminating source impedance:  $Z_S = 50 \Omega$   
 Terminating load impedance:  $Z_L = 50 \Omega$

			min.	typ.	max.	
<b>Center frequency</b>	$f_C$		—	881,5	—	MHz
<b>Maximum insertion attenuation</b>	$\alpha_{max}$	869,0 ... 894,0 MHz	—	2,4	2,6	dB
<b>Amplitude ripple (p-p)</b>	$\Delta\alpha$	869,0 ... 894,0 MHz	—	0,8	1,0	dB
<b>Return loss</b>		869,0 ... 894,0 MHz	—	12,0	10,0	dB
<b>Attenuation</b>	$\alpha$	0,0 ... 780,0 MHz	45,0	62,0	—	dB
		780,0 ... 840,0 MHz	45,0	55,0	—	dB
		840,0 ... 851,0 MHz	38,0	40,0	—	dB
		914,0 ... 924,0 MHz	24,0	26,0	—	dB
		924,0 ... 950,0 MHz	35,0	40,0	—	dB
		950,0 ... 997,0 MHz	35,0	50,0	—	dB
		997,0 ... 2200,0 MHz	40,0	50,0	—	dB
		2200,0 ... 3000,0 MHz	35,0	42,0	—	dB
		3000,0 ... 4000,0 MHz	20,0	28,0	—	dB
		4000,0 ... 6000,0 MHz	10,0	18,0	—	dB
<b>Tx band suppression</b>	$\alpha$	824,0 ... 849,0 MHz	38,0	40,0	—	dB



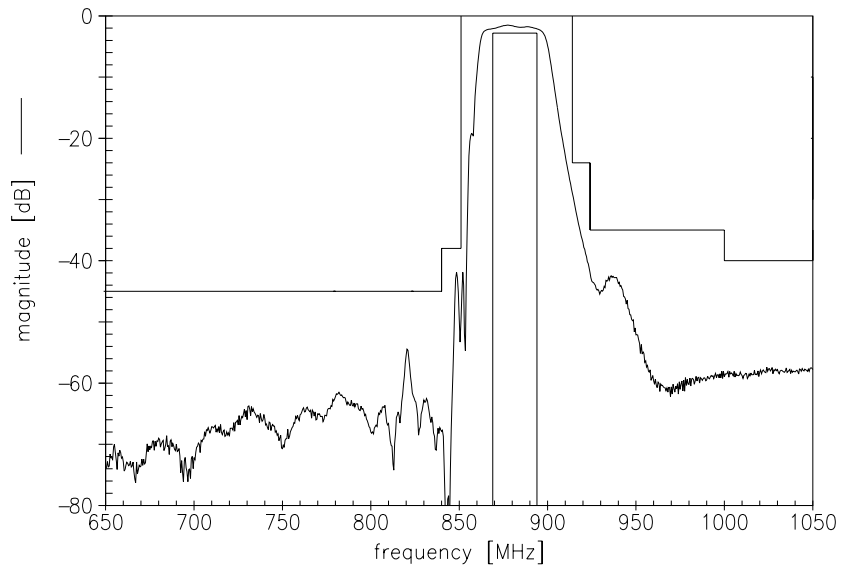
**Characteristics**

Operating temperature range:  $T = -30$  to  $+85$  °C  
 Terminating source impedance:  $Z_S = 50 \Omega$   
 Terminating load impedance:  $Z_L = 50 \Omega$

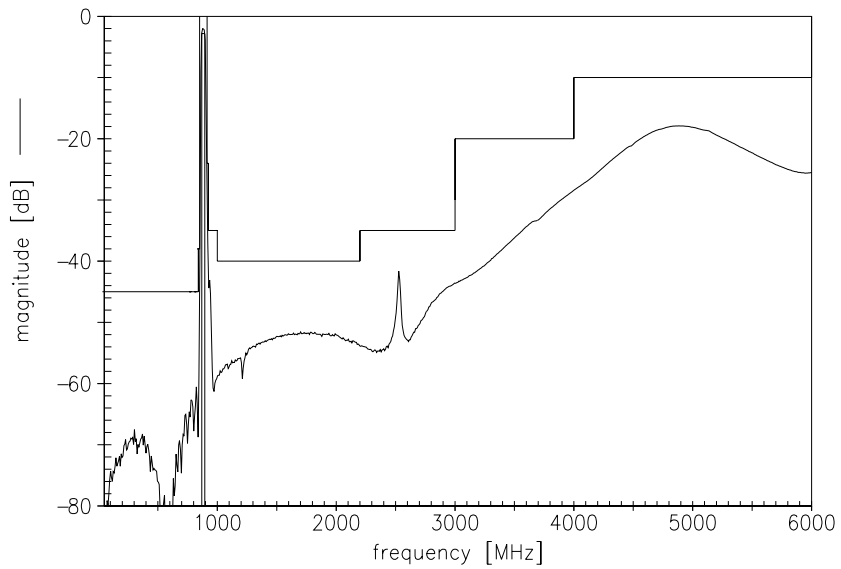
			min.	typ.	max.	
<b>Center frequency</b>	$f_C$		—	881,5	—	MHz
<b>Maximum insertion attenuation</b>	$\alpha_{max}$		—	2,5	2,7	dB
		869,0 ... 894,0 MHz				
<b>Amplitude ripple (p-p)</b>	$\Delta\alpha$		—	0,9	1,1	dB
		869,0 ... 894,0 MHz				
<b>Return loss</b>			—	12,0	10,0	dB
		869,0 ... 894,0 MHz				
<b>Attenuation</b>	$\alpha$					
		0,0 ... 780,0 MHz	45,0	62,0	—	dB
		780,0 ... 840,0 MHz	45,0	55,0	—	dB
		840,0 ... 851,0 MHz	38,0	40,0	—	dB
		914,0 ... 924,0 MHz	24,0	26,0	—	dB
		924,0 ... 950,0 MHz	35,0	40,0	—	dB
		950,0 ... 997,0 MHz	35,0	50,0	—	dB
		997,0 ... 2200,0 MHz	40,0	50,0	—	dB
		2200,0 ... 3000,0 MHz	35,0	42,0	—	dB
		3000,0 ... 4000,0 MHz	20,0	28,0	—	dB
		4000,0 ... 6000,0 MHz	10,0	18,0	—	dB
<b>Tx band suppression</b>	$\alpha$					
		824,0 ... 849,0 MHz	38,0	40,0	—	dB



Transfer function

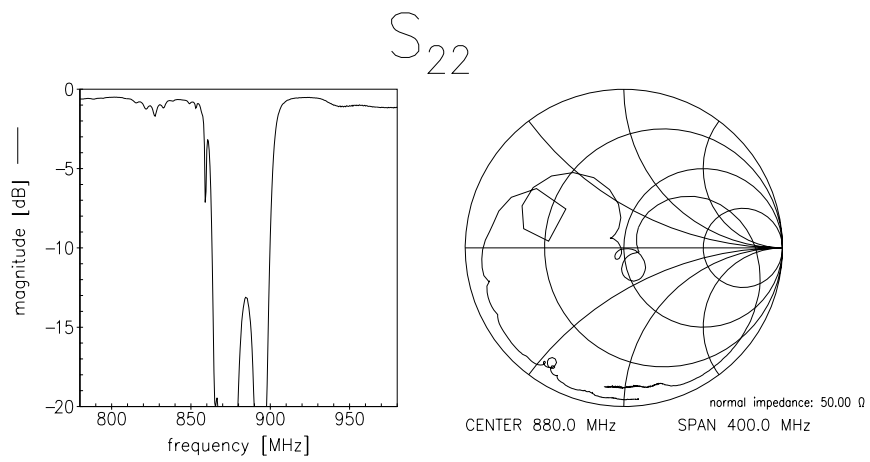
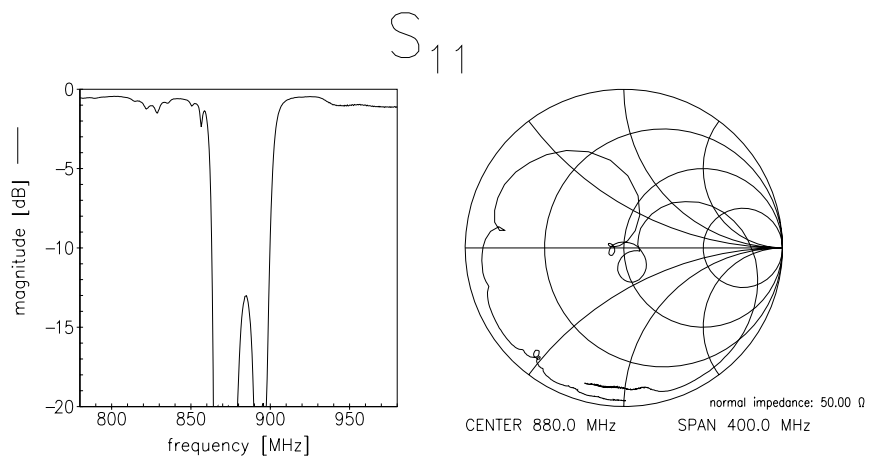


Transfer function (wideband)





Reflection functions





**SAW Components**

**B7704**

**Low-Loss Filter for Mobile Communication**

**881,5 MHz**

Data Sheet



**Published by EPCOS AG**

**Surface Acoustic Wave Components Division, SAW MC WT**

**P.O. Box 80 17 09, 81617 Munich, GERMANY**

© EPCOS AG 2002. Reproduction, publication and dissemination of this brochure and the information contained therein without EPCOS' prior express consent is prohibited.

Purchase orders are subject to the General Conditions for the Supply of Products and Services of the Electrical and Electronics Industry recommended by the ZVEI (German Electrical and Electronic Manufacturers' Association), unless otherwise agreed.

This brochure replaces the previous edition.

For questions on technology, prices and delivery please contact the Sales Offices of EPCOS AG or the international Representatives.

Due to technical requirements components may contain dangerous substances. For information on the type in question please also contact one of our Sales Offices.