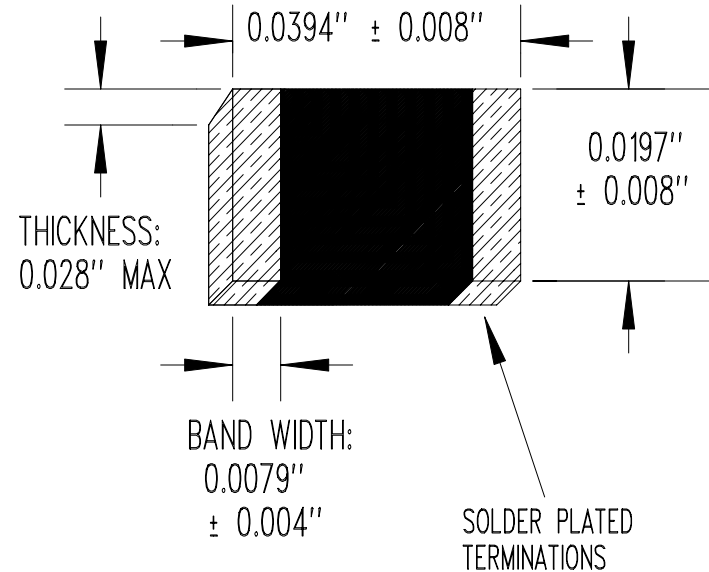


RESISTANCE/TEMPERATURE TABLE			
TEMP (°C)	RESIS (Ω)	TEMP (°C)	RESIS (Ω)
-40	214,028	45	1,661
-35	145,594	50	1,360
-30	100,659	55	1,121
-25	70,659	60	929.7
-20	50,315	65	776.2
-15	36,314	70	651.9
-10	26,543	75	550.8
-5	19,636	80	467.9
0	14,691	85	399.5
5	11,110	90	342.9
10	8,487	95	295.7
15	6,546	100	256.1
20	5,095	105	222.8
25	4,000	110	194.7
30	3,172	115	170.8
35	2,537	120	150.5
40	2,045	125	133.0



RESISTANCE @ +25°C = 4,000 Ω ± 5%
 BETA "β" (+25 TO +85°C) = 4,100°K NOMINAL
 POWER RATING = 40 mW
 OPERATING TEMPERATURE RANGE = -40 TO +125°C

SEE MANUFACTURING SPECIFICATION (LAYER 1)

NONE	RELEASE TO PRODUCTION	12/04/03	DD
REV	REVISION RECORD	DATE	APP

SCALE NONE	U.S. SENSOR CORP. 1832 W. COLLINS AVE. ORANGE, CA 92867 714-639-1000 www.ussensor.com
DRAWN BY DAN DANKERT	
DATE 12/04/03	
REV. NONE	
LAYER 0 OF 2	
THERMISTOR, NTC CHIP	
P/N RA402LOJ	