

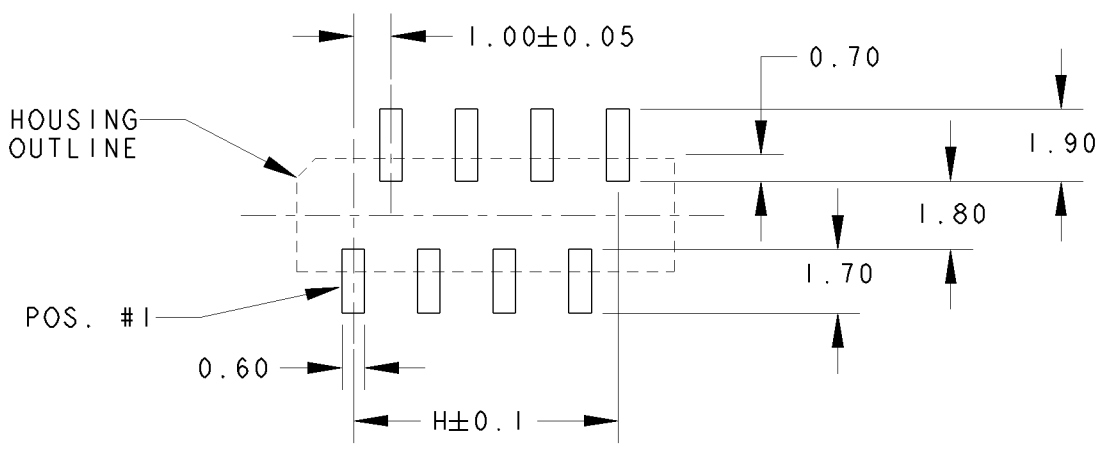
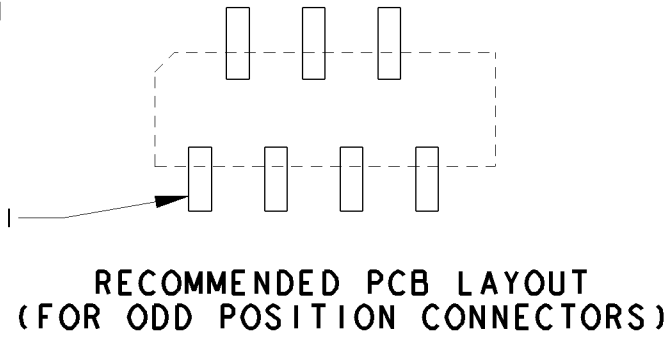
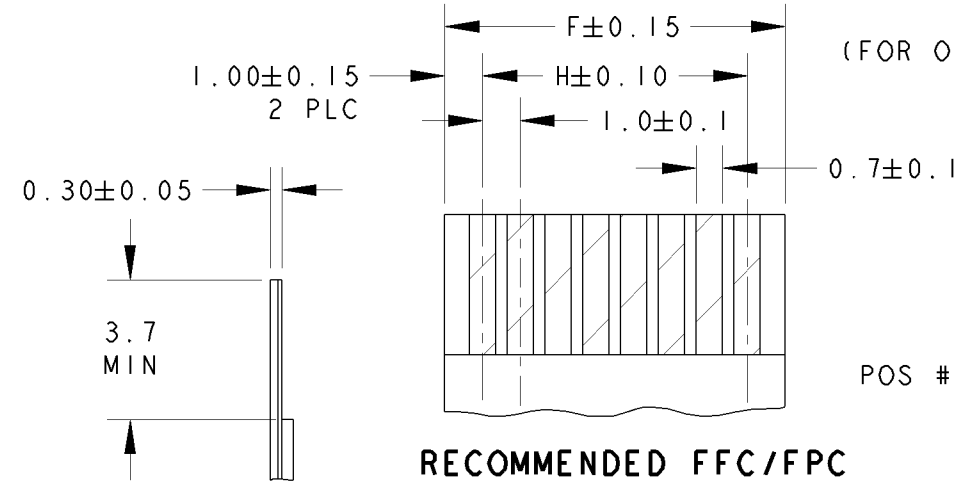
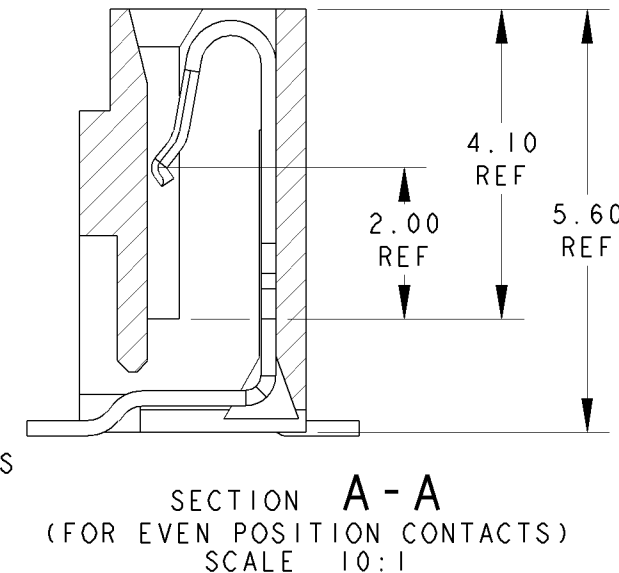
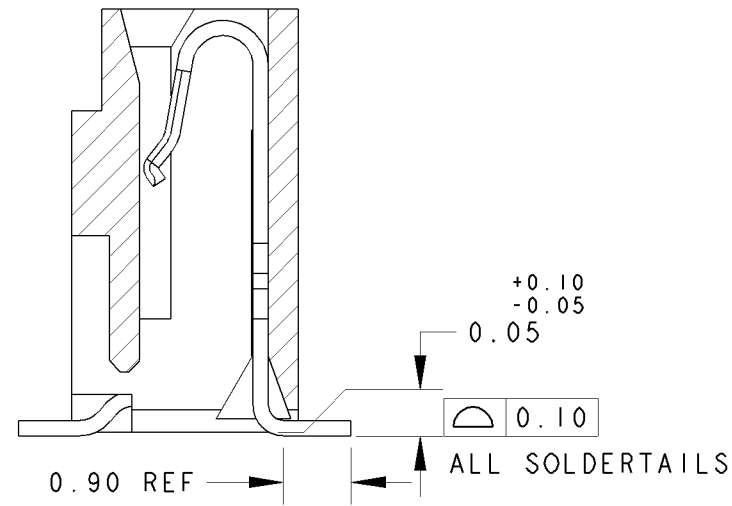
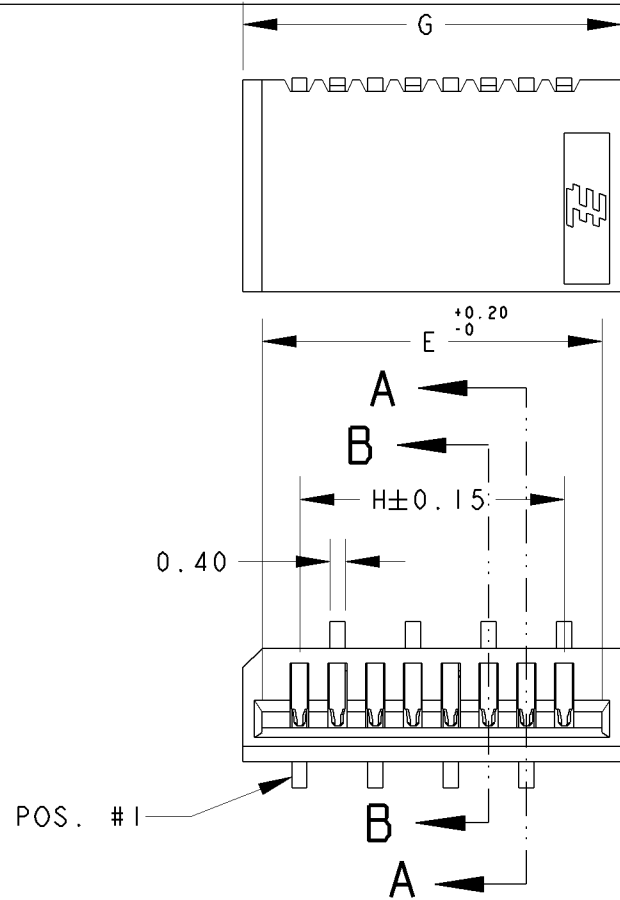
THIS DRAWING IS UNPUBLISHED. RELEASED FOR PUBLICATION .19 .

BY - ALL RIGHTS RESERVED. COPYRIGHT 19

LOC		DIST		REVISIONS			
P	LTR	DESCRIPTION	DATE	DWN	APVD		
DY	-	J2	REVISD PER ECO-11-005139	19MAR11	RK	HMR	

NOTES:

- 1 MATERIAL:
HOUSING: GLASS FILLED HIGH TEMP NYLON, NATURAL COLOR (BEIGE)
CONTACT: PHOSPHOR BRONZE
- 2 FINISH: MATTE TIN OVER NICKEL UNDERPLATE
- 3. PACKAGING: TAPE & REEL (PACKAGING SPEC: 107-51189)



29.00	32.00	31.00	31.00	30	3-84982-0
28.00	31.00	30.00	30.00	29	2- -9
27.00	30.00	29.00	29.00	28	2- -8
26.00	29.00	28.00	28.00	27	2- -7
25.00	28.00	27.00	27.00	26	2- -6
24.00	27.00	26.00	26.00	25	2- -5
23.00	26.00	25.00	25.00	24	2- -4
22.00	25.00	24.00	24.00	23	2- -3
21.00	24.00	23.00	23.00	22	2- -2
20.00	23.00	22.00	22.00	21	2- -1
19.00	22.00	21.00	21.00	20	2-84982-0
18.00	21.00	20.00	20.00	19	1- -9
17.00	20.00	19.00	19.00	18	1- -8
16.00	19.00	18.00	18.00	17	1- -7
15.00	18.00	17.00	17.00	16	1- -6
14.00	17.00	16.00	16.00	15	1- -5
13.00	16.00	15.00	15.00	14	1- -4
12.00	15.00	14.00	14.00	13	1- -3
11.00	14.00	13.00	13.00	12	1- -2
10.00	13.00	12.00	12.00	11	1- -1
9.00	12.00	11.00	11.00	10	1-84982-0
8.00	11.00	10.00	10.00	9	1- -9
7.00	10.00	9.00	9.00	8	1- -8
6.00	9.00	8.00	8.00	7	1- -7
5.00	8.00	7.00	7.00	6	1- -6
4.00	7.00	6.00	6.00	5	1- -5
3.00	6.00	5.00	5.00	4	1-84982-4
H	G	F	E	POS.	PART NO.

DIMENSIONS: mm 		TOLERANCES UNLESS OTHERWISE SPECIFIED: 0 PLC ±0.3 1 PLC ±0.3 2 PLC ±0.3 3 PLC ± 4 PLC ± ANGLES ±3° FINISH		DWN WYLEE 19MAY2006 CHK KTOGH 19MAY2006 APVD SFLEONG 19MAY2006 PRODUCT SPEC 108-51054 APPLICATION SPEC - WEIGHT -		TE Connectivity NAME ASSY, 1.00mm FFC CONN SMT, V, (NON-ZIF)	
MATERIAL 1		FINISH 2		SIZE A3	CAGE CODE 00779	DRAWING NO C-84982	
CUSTOMER DRAWING				SCALE 5:1	SHEET 1 OF 1	REV J2	