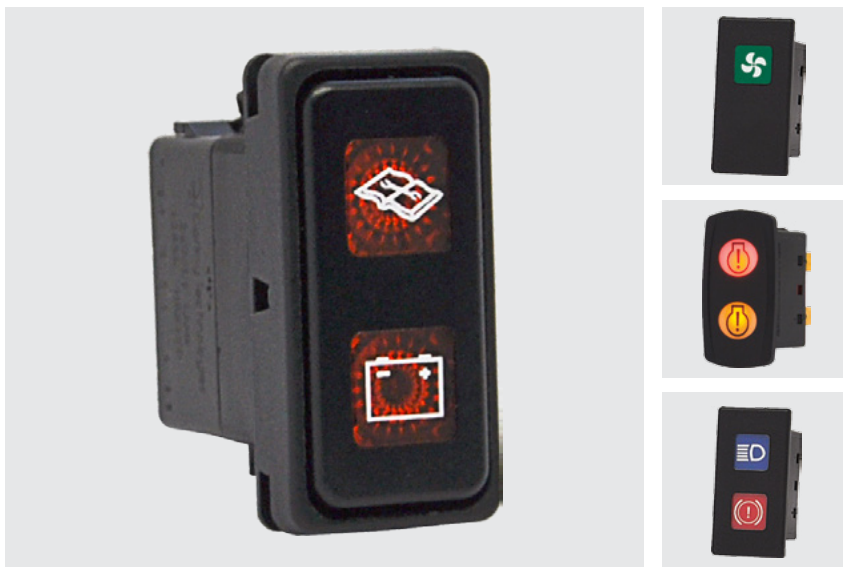


VP-Series

VP-Series

CONTURA ILLUMINATED INDICATORS

The Illuminated Indicator is offered with removable/replaceable lamps, Contura styling, and LED illumination. As a critical safety feature, it's illumination alerts the operator of essential system functions or malfunctions like: oil pressure, high temperature, transmission or other fluid levels, parking brake, or general system malfunction. Three different style housings (flush, raised panel, oval) assure seamless integration with Contura switches and into most any dashboard panel.



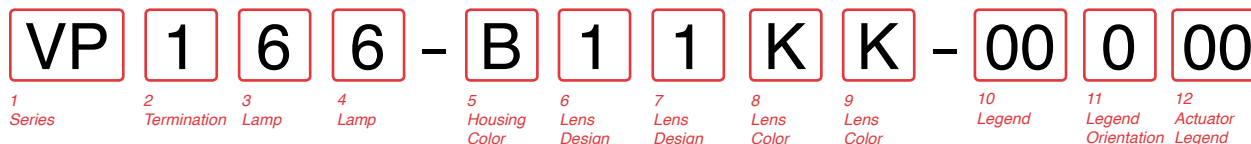
Product Highlights:

- 3 Styles to choose from
- Single or double window Illumination
- 25 lens colors and configurations
- Available connector for easily installation

Typical Applications:

- Transportation





1 SERIES
VP Illuminated plug
H2¹ Housing only
H3² Lamp module only
HP1-01 VP connector for oval and flush bezel only
VC1-01 VP connector for raised bezel only

2 TERMINATION
1 .250 TAB

3,4 LAMP (same coding for both selections)^{4,5,6,8,9,12}
 No lamp **0**
 Neon **1** 125VAC **2** 250VAC
 Incandescent **5** 6V **6** 12V **7** 18V
8 24V
 LED* Amber Green Red
 2VDC **L** **F** **R**
 6VDC **M** **G** **S**
 12VDC **N** **H** **T**
 24VDC **P** **J** **V**
 *Typical current draw for LED is 20ma.

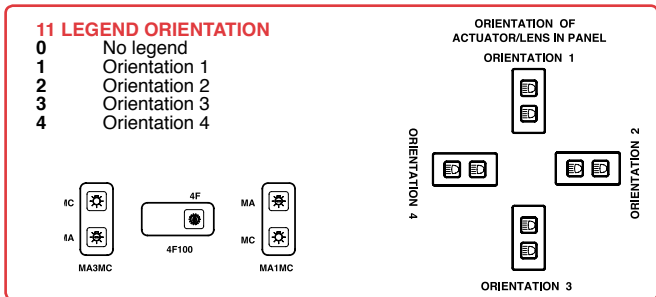
5 HOUSING COLOR
 flush bracket raised bracket¹³ oval bezel (Contura V)
 Black **B** **6** **1**
 Gray **W** - **2**
 White **R** **5** **3**
 Red **G** - **4**

6,7 SQUARE LENS DESIGN (same coding for both selections)^{4,5,6,11,12}
Z no lens
1 transparent diamond square¹⁰
2 translucent square⁷
3 laser etched¹⁰
4 transparent oval
5 translucent oval

8, 9 LENS (same coding for both selections)^{3,4,5,6,9}
Z No Lens
 Clear White Amber Green Red Blue Lens Style
4 **9** **E** **K** **R** **W** One piece Square/Oval¹¹
5 **A** **F** **L** **S** **Y** Two piece Square*
 (with clear top protective lens)
2 **7** **C** **H** **N** **U** Two piece Square*
 (with smoke top protective lens)
1 **6** **B** **G** **M** **T** Two piece Square*
 (with white top protective lens)

*All bottom lenses are molded of opaque material. Consult factory for other lens colors.

10 LAMP #1 LENS OR BODY LEGEND⁵
00 No legend
 For legend options, visit us at carlingtech.com



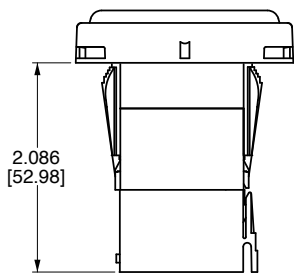
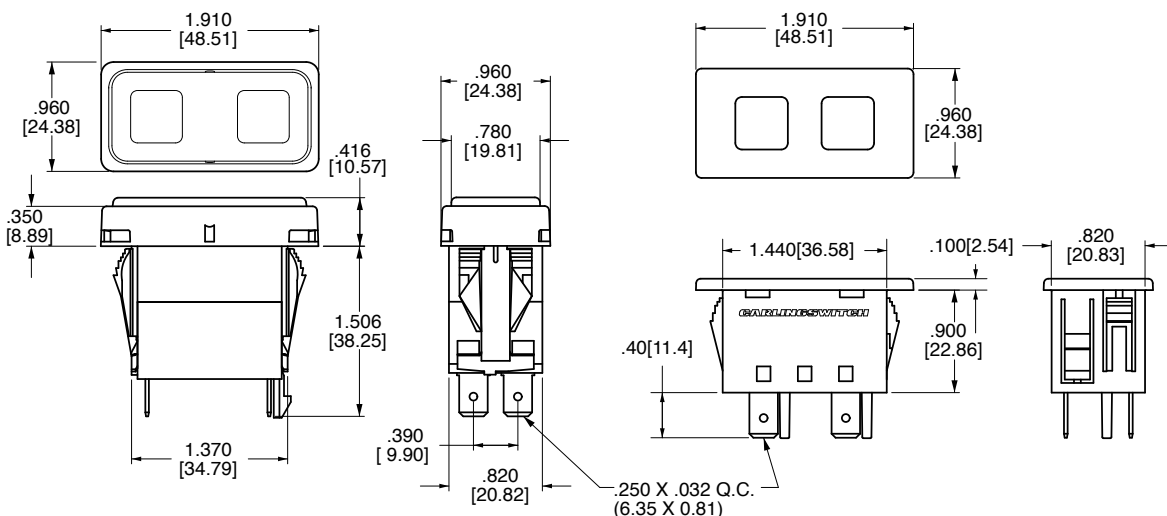
12 LAMP #2 LENS OR BODY LEGEND⁵
00 No legend
 For legend options, visit us at carlingtech.com

Notes:

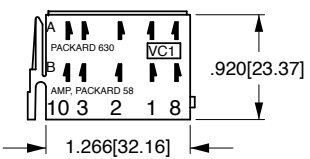
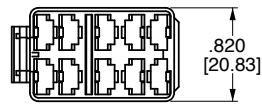
- 1 To order housing with lenses only, specify H2 followed by fields 5-12. (flush bezel only)
- 2 To order lamp module only, specify H3 followed by fields 2-3. (flush bezel only)
- 3 Two piece lens not available with oval bezel.
- 4 If only 1 lamp, specify 0 in selection 4 and Z in selections 7 & 9.
- 5 Lamp and lens #1 located over terminals 1A and 1B for flush & oval bezel.
- 6 Lamp and lens #2 located over terminals 2A and 2B for flush & oval bezel.
- 7 Available with 2 piece lens option only.
- 8 Neon lamps not recommended with blue or green lenses.
- 9 Green or blue lenses not recommended with neon lamps.
- 10 Available with one piece lens option only.
- 11 Oval bezel available with oval lens only. Oval lens available with oval bezel only.
- 12 Lamp & lens #1 located over terminals 7 & 8, & #2 located over 9 & 10 for raised bezel option.
- 13 Both bracket and insert will be same color. For white bracket with black insert, specify 7. For black bracket with white insert, specify 8.

*Manufacturer reserves the right to change product specification without prior notice.

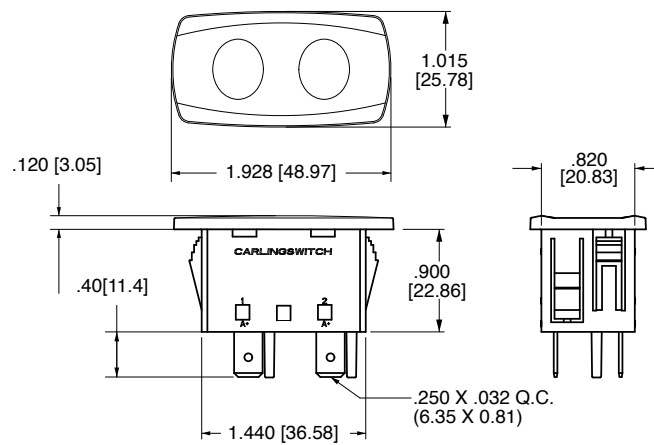
Dimensional Specifications: in. [mm]



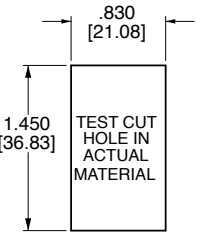
PLUG SHOWN WITH VC1 CONNECTOR



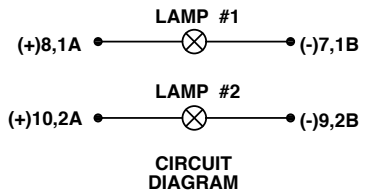
VC1 CONNECTOR HOUSING



HP1-01 ILLUMINATED PLUG CONNECTOR



ILLUMINATED PLUG MOUNTING HOLE (OVAL, FLUSH AND RAISED BEZELS)



CIRCUIT DIAGRAM

(OVAL, FLUSH AND RAISED BEZELS) MOUNTING PANEL THICKNESSES:

.062[1.57]	.250[6.35]
.093[2.36]	.375[9.52]
.125[3.17]	.500[12.70]
.187[4.75]	

Notes:
Oval and flush bezel styles use terminals 1A, 1B, 2A, 2B. Raised bezel style uses terminals 7, 8, 9, 10.

Authorized Sales Representatives and Distributors

Click on a region of the map below to find your local representatives and distributors or visit www.carlingtech.com/findarep.



About Carling

Founded in 1920, Carling Technologies is a leading manufacturer of electrical and electronic switches and assemblies, circuit breakers, electronic controls, power distribution units, and multiplexed power distribution systems. With four ISO registered manufacturing facilities and technical sales offices worldwide, Carling Technologies Sales, Service and Engineering teams do much more than manufacture electrical components, they engineer powerful solutions! To learn more about Carling please visit www.carlingtech.com/company-profile.

To view all of Carling's environmental, quality, health & safety certifications please visit www.carlingtech.com/environmental-certifications

Worldwide Headquarters

Carling Technologies, Inc.
60 Johnson Avenue, Plainville, CT 06062
Phone: 860.793.9281 **Fax:** 860.793.9231
Email: sales@carlingtech.com

Northern Region Sales Office: nrsm@carlingtech.com
Southeast Region Sales Office: sersm@carlingtech.com
Midwest Region Sales Office: mrsm@carlingtech.com
West Region Sales Office: wrsm@carlingtech.com
Latin America Sales Office: larsm@carlingtech.com

Asia-Pacific Headquarters

Carling Technologies, Asia-Pacific Ltd.,
Suite 1607, 16/F Tower 2, The Gateway,
Harbour City, 25 Canton Road,
Tsimshatsui, Kowloon, Hong Kong
Phone: Int + 852-2737-2277 **Fax:** Int + 852-2736-9332
Email: sales@carlingtech.com.hk

Shenzhen, China: shenzhen@carlingtech.com
Shanghai, China: shanghai@carlingtech.com
Pune, India: india@carlingtech.com
Kaohsiung, Taiwan: taiwan@carlingtech.com
Yokohama, Japan: japan@carlingtech.com

Europe | Middle East | Africa Headquarters

Carling Technologies LTD
4 Airport Business Park, Exeter Airport,
Clyst Honiton, Exeter, Devon, EX5 2UL, UK
Phone: Int + 44 1392.364422 **Fax:** Int + 44 1392.364477
Email: ltd.sales@carlingtech.com

Germany: gmbh@carlingtech.com
France: sas@carlingtech.com



Carling Technologies®

Innovative Designs. Powerful Solutions.