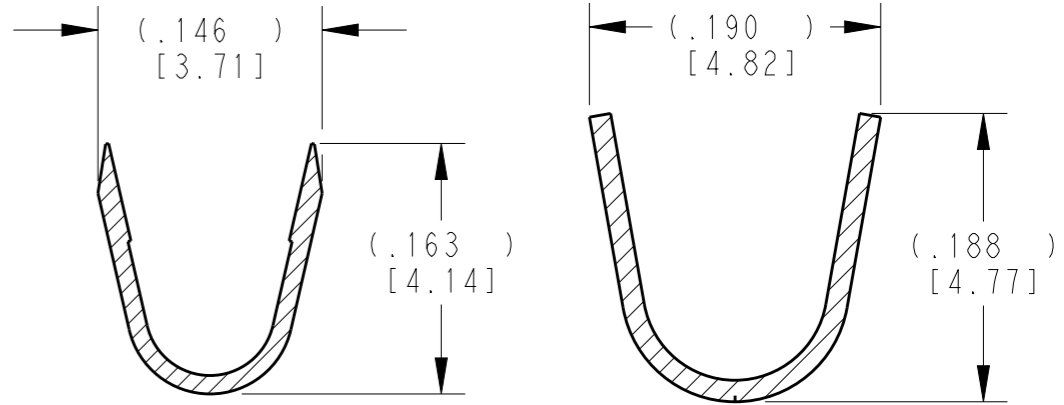
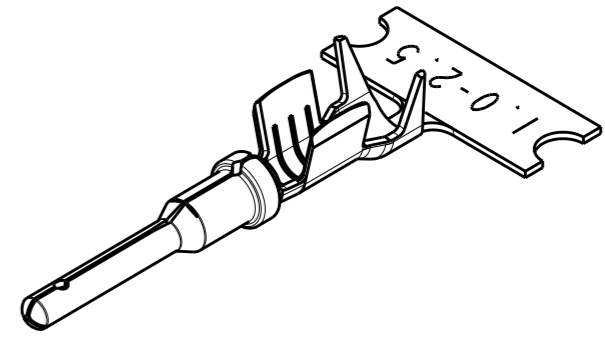
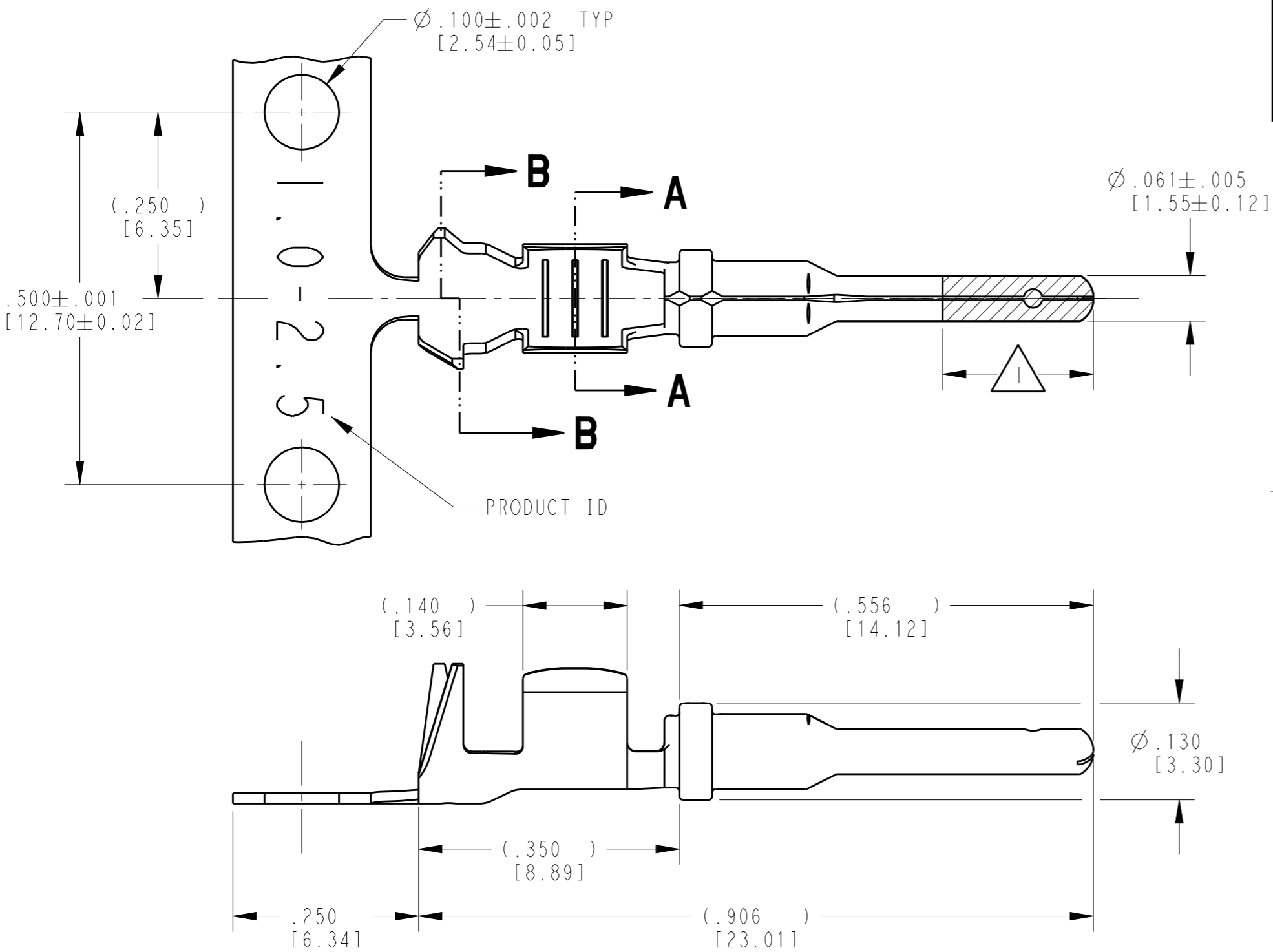


THIS DRAWING IS UNPUBLISHED  
 RELEASED FOR PUBLICATION 2015  
 © COPYRIGHT 2001 BY TE CONNECTIVITY ALL RIGHTS RESERVED.

LOC	DIST	REVISIONS			
P	LTR	DESCRIPTION	DATE	DWN	APVD
	NC	REVISED PER E.O. P16999	14MAR2002	SP	RDR
	A	REVISED PER E.O. P19555	11JUL2007	JA	RDR
	B	REVISED PER E.O. P20396	26JUN2010	JA	RDR
	C	REVISED PER ECO-15-007761	28MAY2015	RL	DM



**SECTION A-A**  
WIRE BARREL

**SECTION B-B**  
INSULATION BARREL

TE INTERNAL PN	DEUTSCH PN	PLATING
1060-16-1222	1060-16-1222	NICKEL
1060-16-1244	1060-16-1244	SELECTIVE GOLD
1060-16-1277	1060-16-1277	TIN

- 3 MATERIAL: .014 [0.36] THICK CU ALLOY
- 2. WIRE RANGE: 16 AWG TO 12 AWG [1.0-2.5 mm<sup>2</sup>]  
INSULATION RANGE:  $\phi .075-.140$  [ $\phi 1.91-3.56$ ]
- 1 APPLIES ONLY TO SELECTIVE GOLD 1060-16-1244.  
INDICATED DIMENSION SHOWS GOLD PLATED AREA.

NOTES: UNLESS OTHERWISE SPECIFIED

THIS DRAWING IS A CONTROLLED DOCUMENT.		DWN 29MAR2001 VLADIMIR TOMSA	TE Connectivity	
DIMENSIONS: INCHES[mm]		CHK 14MAR2002 BRICE BYFORD		
TOLERANCES UNLESS OTHERWISE SPECIFIED:		APVD 14MAR2002 R. REED	NAME STAMPED CONTACT PIN SIZE 16	
0 PLC ± 1 PLC ± 2 PLC ± 3 PLC ±.025 [0.64] 4 PLC ± ANGLES ±		PRODUCT SPEC 0425-015-0000	RESTRICTED TO	
MATERIAL 3		APPLICATION SPEC 0425-039-0000	SIZE A3	CAGE CODE 4AFU8
FINISH SEE TABLE		WEIGHT 0.40 g	DRAWING NO 1060-16-12XX	
		Customer Drawing	SCALE 6:1	SHEET 1 OF 1
			REV C	