

### Features:

- ◇ Low-cost
- ◇ Window mount
- ◇ Ultra-thin space-saving design: only 0.8" deep including connector
- ◇ Occupies less than 1.3 X 0.7 inches of front panel space
- ◇ 3½ digits with high-contrast LCD
- ◇ Choice of Positive or Negative Red or Green
- ◇ Low power

### Ordering Information:

PART NUMBER	BACKLIGHT COLOR	METER INPUT	METER POWER
DK720	POS GREEN	200mV	±5VDC or +9V
DK721	POS GREEN	2V	±5VDC or +9V
DK722	NEG GREEN	200mV	±5VDC or +9V
DK723	NEG GREEN	2V	±5VDC or +9V
DK724	NEG RED	200mV	±5VDC or +9V
DK725	NEG RED	2V	±5VDC or +9V
DK726	POS RED	200mV	±5VDC or +9V
DK727	POS RED	2V	±5VDC or +9V
DK730	POS GREEN	200mV	+5VDC
DK731	POS GREEN	2V	+5VDC
DK732	NEG GREEN	200mV	+5VDC
DK733	NEG GREEN	2V	+5VDC
DK734	NEG RED	200mV	+5VDC
DK735	NEG RED	2V	+5VDC
DK736	POS RED	200mV	+5VDC
DK737	POS RED	2V	+5VDC

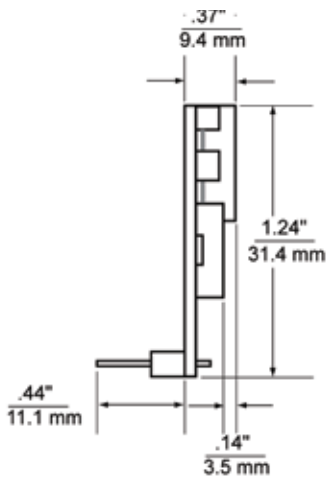
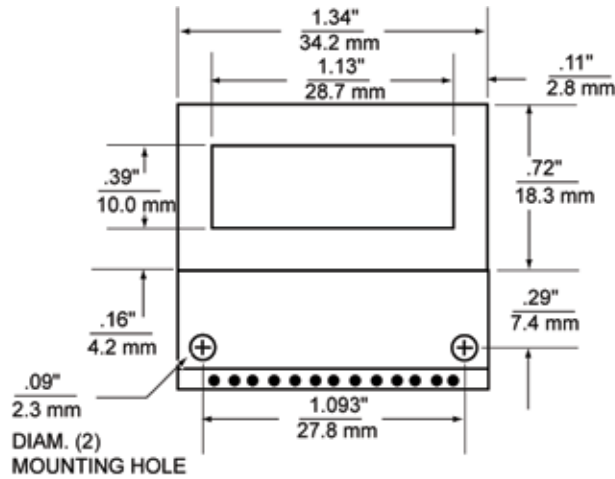
### Specifications:

<b>Display:</b>	Digits:	3 ½ digits (±1999 counts)
	Type:	7 segment backlit LCD
	Polarity:	automatic, "-" displayed
	Decimal Points:	3 position, user selectable
Overrange:	three lower order digits blank for inputs >1999 & < -1999	
<b>Inputs:</b>	Ranges:	200 mV, 2 V, 20 V
	Protection:	100 V on 200 mV, 250 V on 2 V & 20 V
	Impedance:	100 MΩ on 200 mV, 1 MΩ on 2 V & 20 V
<b>Performance:</b>	Accuracy:	±(0.1% of F.S. +1 count)
	Conversion Rate:	2.5 per second
	Normal Mode Rejection:	>30 dB @ 60Hz.
	Common Mode Range:	±1Vdc
	Common Mode Rej.:	>86 dB
	Zero Adjustment:	automatic
	Warmup:	10 minutes typical
	Temperature Coefficient:	±100 ppm per °C typical
<b>Environment:</b>	Operating Range:	0 to 60 °C
	Storage Range:	-20 to 70 °C
	<b>Power Supply:</b>	Backlight OFF:
Backlight ON:		+5 V @ 60 mA typical ±5 V or +9 V @ 20 mA typical
<b>Mounting:</b>	window mount bezel mount (optional)	
<b>Connection:</b>	13 pin	

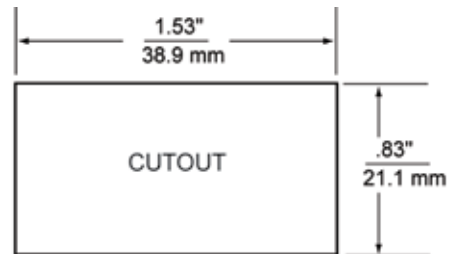
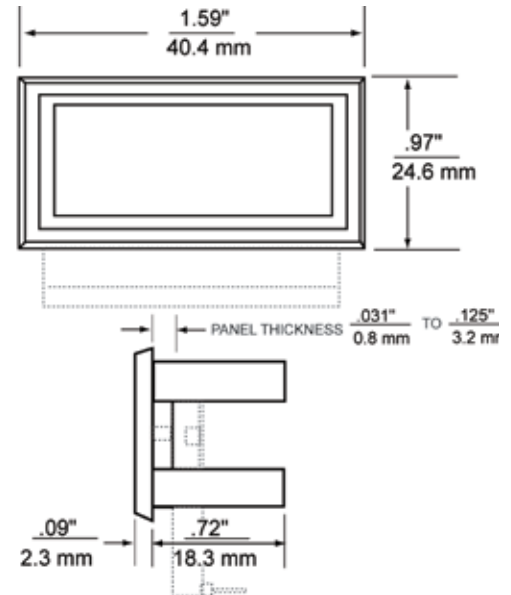
PW2-5	Regulated 120V AC to 5V DC Power Supply
PW2-12	Regulated 120V AC to 12V DC Power Supply
7M-BEZ	Optional bezel
PW1.0	24V AC to adjustable DC output
CPW1.5	24V AC to adjustable DC output
CVC	Calibrator



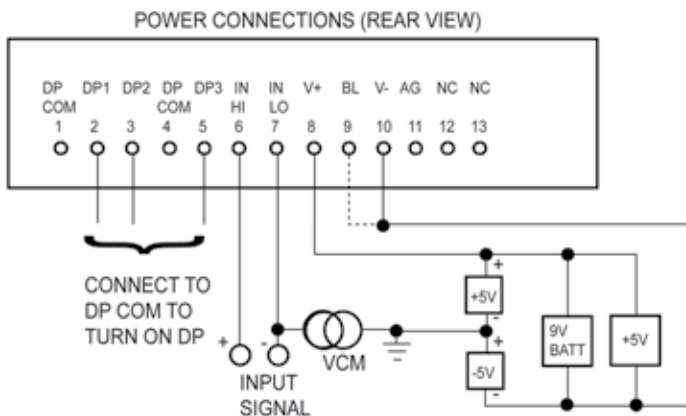
**Dimensions**



**Optional Bezel and Cutout**



**Wiring**



**Connection Descriptions**

Pin No.	Pin Name	Description
1	DP COM	Connect to selected decimal point
2	DP1	DP XXX.X
3	DP2	DP XX.XX
4	DP COM	Connect to selected decimal point
5	DP3	DP X.XXX
6	INHI	Input signal HI
7	INLO	Input signal LO
8	V+	+5 Volt power, +9 Volt Power
9	BL	Connect to V- for backlighting
10	V-	-5 Volt power, Ground for 5 V or 9 V power
11	AG	Connect to INLO for isolated operation
12	NC	No connection required
13	NC	No connection required