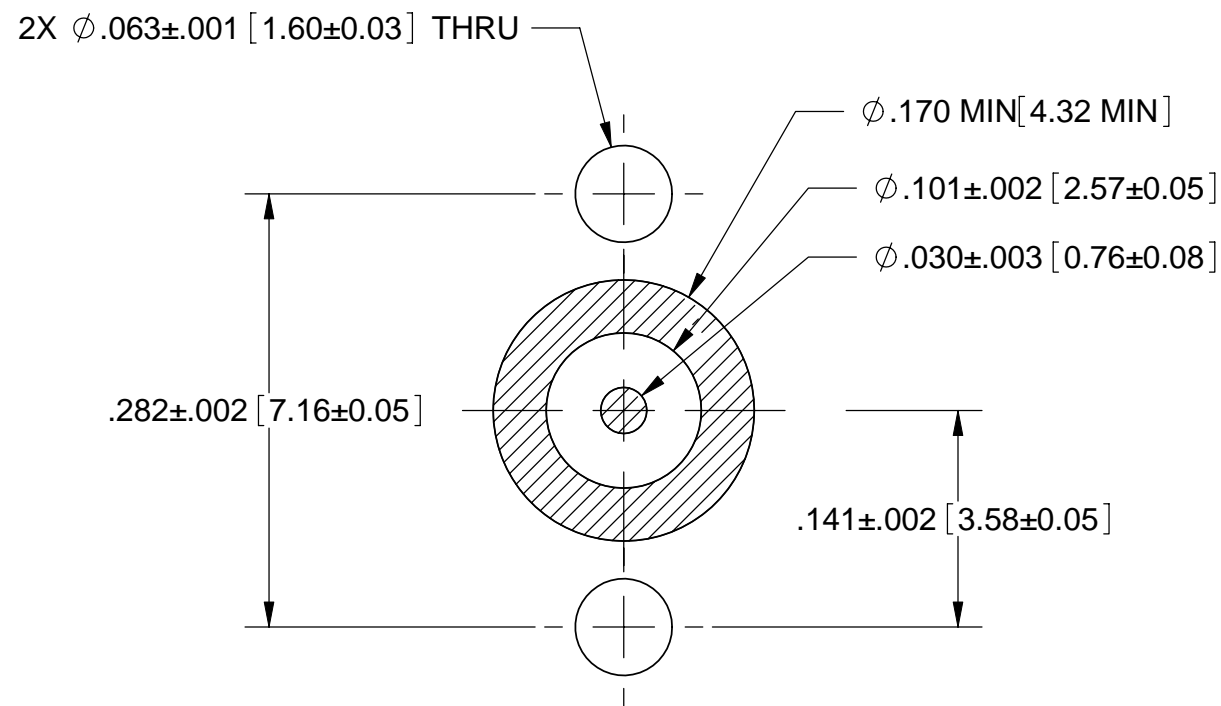
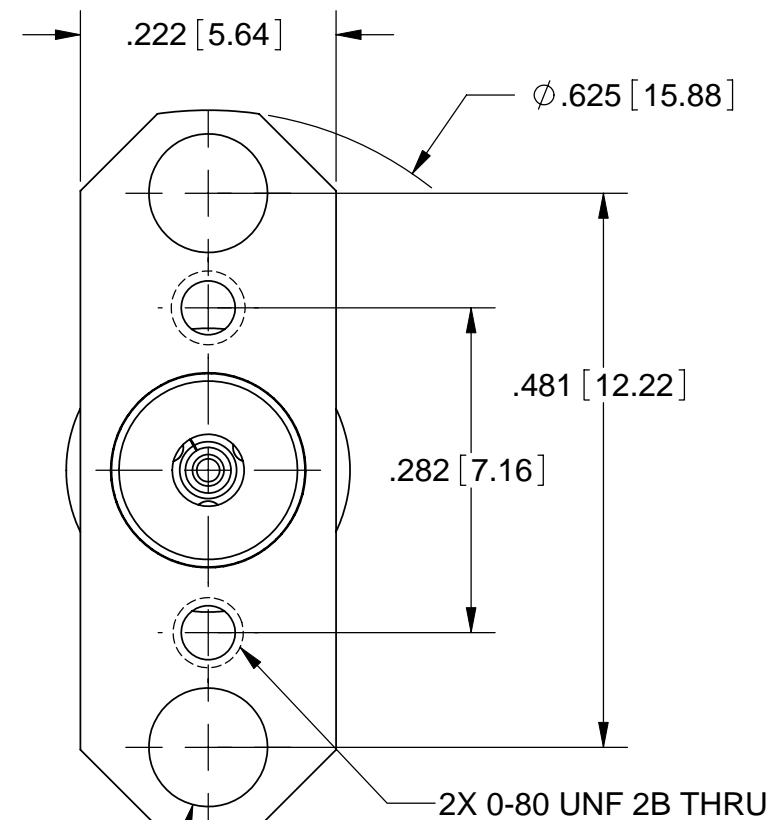
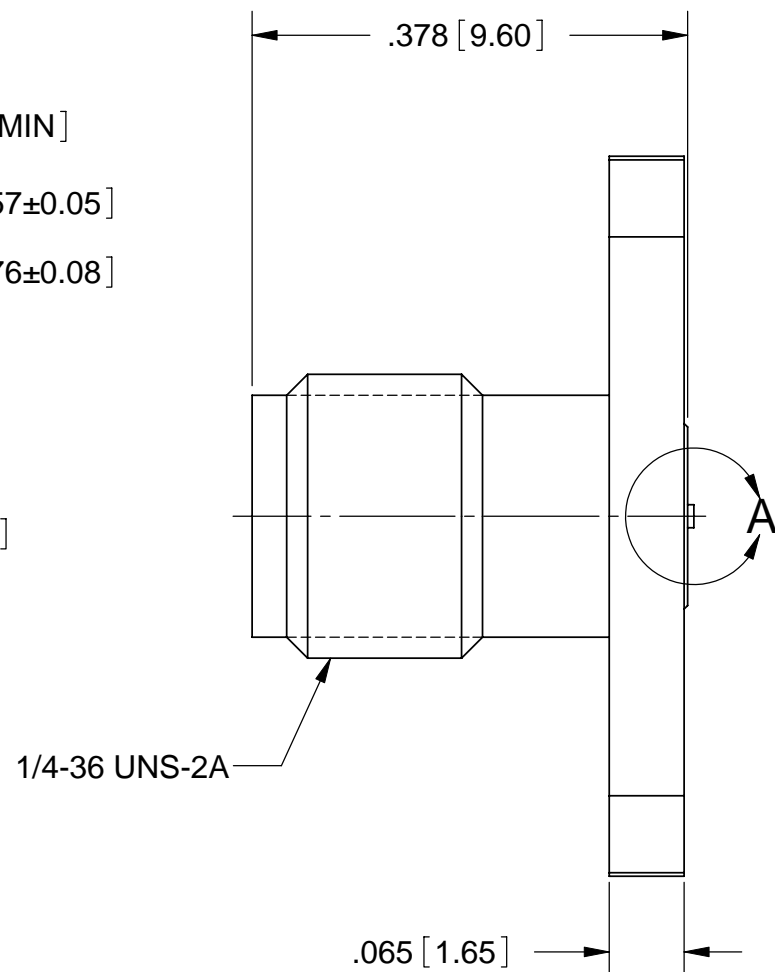


PRODUCT DATA DRAWING

REVISION HISTORY			
REV	DESCRIPTION	DATE	APPROVED
-	REL. DCN 36637	04/02/09	STW

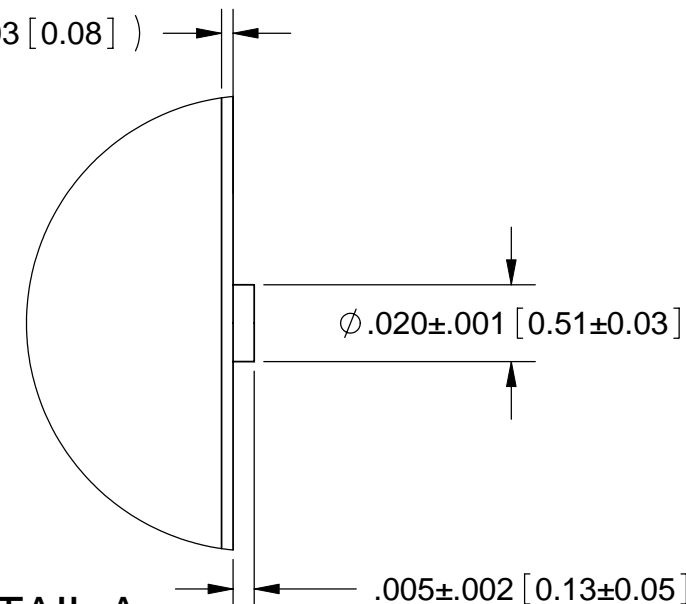


RECOMMENDED PCB LAYOUT



2X Ø.103±.003 [2.62±0.08] THRU

(.003 [0.08])



DETAIL A
SCALE 20 : 1

MATERIAL:
BODY & INSERT: STAINLESS STEEL PER AMS-5640, ALLOY UNS S30300, TYPE 1
CONTACT: BERYLLIUM COPPER PER ASTM B196, ALLOY No. UNS C17300, TD04
INSULATOR: ULTEM PER ASTM D5205
FINISH:
BODY & INSERT: PASSIVATED PER AMS-2700.
CONTACT: GOLD PER ASTM B488, TYPE II, CODE C, CLASS 1.27, OVER NICKEL PER AMS-QQ-N-290, CLASS 1, .00005" MIN.

PERFORMANCE:

IMPEDANCE: 50 OHMS
FREQ. RANGE: DC TO 40.0 GHz
VSWR: 1.30:1 DC TO 40.0 GHz
INSERTION LOSS: .05 X SQRT(F IN GHz)
DWV: 500 VRMS

ENGAGEMENT/ DISENGAGEMENT: 2 IN-LBS

MATERIAL: SEE NOTES	DIMENSIONS ARE IN INCHES TOLERANCES: FRACTIONAL: ±1/64 ANGULAR: X° ±1'0" X"X' ±15'	UNLESS OTHERWISE SPECIFIED 1) ALL DIMENSIONS ARE IN INCHES (MILLIMETERS) 2) ALL DIMENSIONS ARE AFTER PLATING. 3) BREAK CORNERS & EDGES .005 R. MAX. 4) CHAM. 1ST & LAST THREADS. 5) SURFACE ROUGHNESS 63-MIL-STD-10. 6) DIA.'S ON COMMON CENTERS TO BE CONCENTRIC WITHIN .005 T.I.R. 7) REMOVE ALL BURRS	SV Microwave, Inc. 2400 Centrepark West Drive, Suite 100 West Palm Beach, FL 33409
FINISH: SEE NOTES	DECIMAL: .X ±.030 .XX ±.010 .XXX ±.005	INTERPRET DIMENSIONS AND TOLERANCES PER ASME Y14.5M - 1994	TITLE: 2.92MM JACK 2HOLE FL MT W/ 0-80 UNF THD
SURFACE AREA: N/A	THIRD ANGLE PROJECTION	DRAWN: JMC 04/02/09 CHECKED: STW 04/02/09 APPROVED: STW 04/02/09	SIZE: B CAGE CODE: 95077 DWG. NO.: SF1521-60013
PROPRIETARY THE INFORMATION CONTAINED IN THIS DRAWING IS THE SOLE PROPERTY OF SV MICROWAVE, INC. ANY REPRODUCTION IN PART OR AS A WHOLE WITHOUT THE WRITTEN PERMISSION OF SV MICROWAVE, INC IS PROHIBITED.			SCALE: 6:1 SHEET 1 OF 1