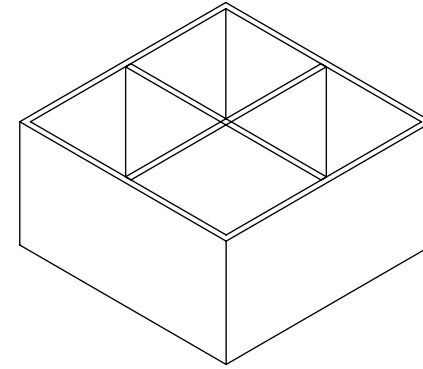


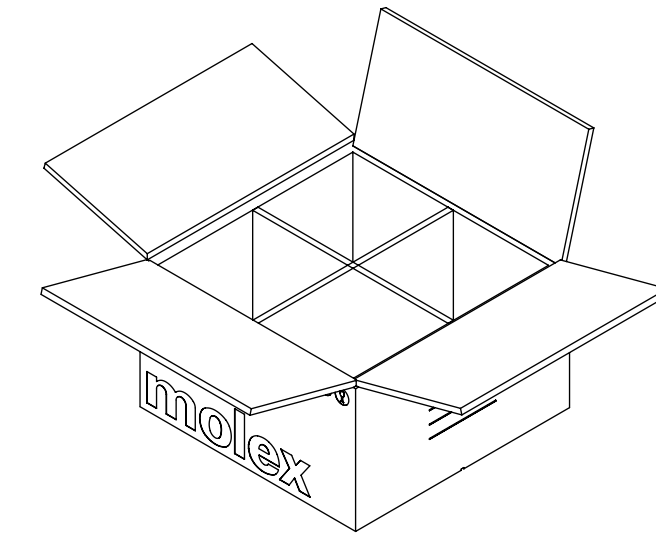
CARTON BOX  
PART# 0967080007/ F69V196X000

+

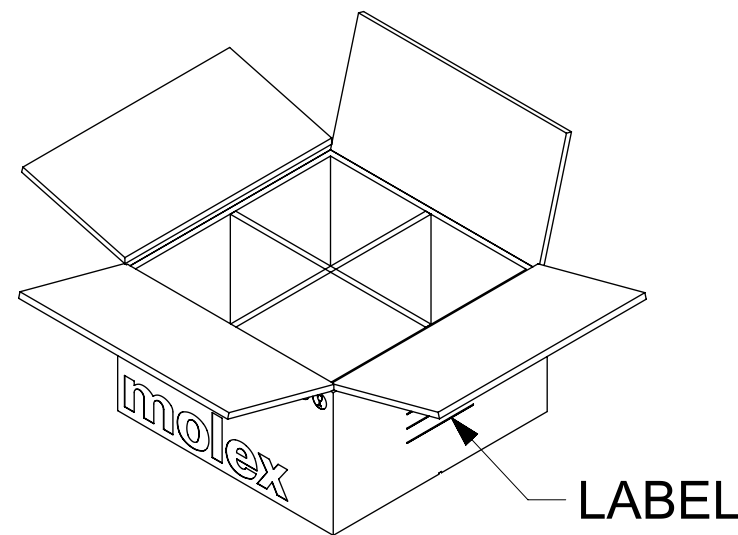
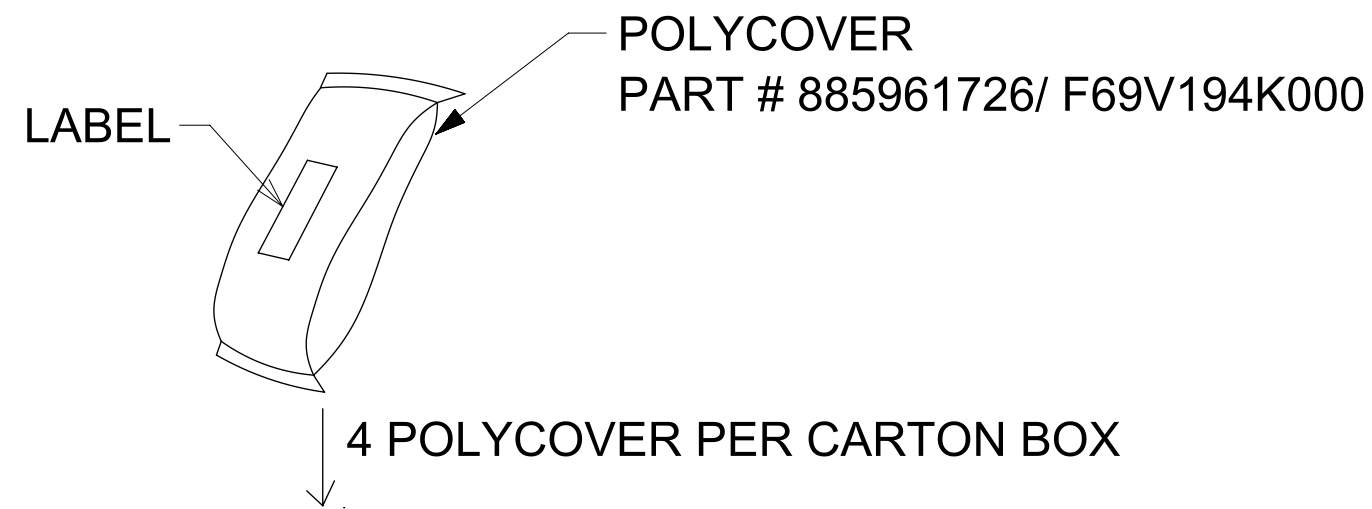


PARTITION  
PART# 313005940/F69V195X000

=



PARTITION PLACED INSIDE  
CARTON BOX



TABLE

PART NUMBER	DESCRIPTION	QTY PER POLYCOVER	POLYCOVER PER CARTON BOX	SPQ
2009140003	PLUG HOUSING	500 pcs	4 nos	2000 pcs

NOTES:

- 1.MAKE SURE PROPER PROTECTION ON HOUSING
- 2.SEAL THE POLYCOVER
- 3.SEAL THE CARTON BOX WITH 3" TAPE
- 4.BAR CODE LABELING AS PER ES-4000-7012
- 5.PACKAGING QUANTITY DETAILS ARE PROVIDED IN THE TABULAR COLUMN
- 6.ONE SPQ IN ONE BOX
- 7.PART NUMBER IMAGES ILLUSTRATION PURPOSE ONLY, REFER CORRESPONDING PART DRAWING FOR PRECISE DETAILS
- 8.PLACE 4 POLYCOVER IN ONE CARTON BOX, ONE POLYCOVER IN EACH PARTITION

QUALITY SYMBOLS	THIS DRAWING CONTAINS INFORMATION THAT IS PROPRIETARY TO MOLEX ELECTRONIC TECHNOLOGIES, LLC AND SHOULD NOT BE USED WITHOUT WRITTEN PERMISSION											
▽ = 0	PRODUCTION RELEASE EC NO: 112212 DRWN: MRAMAKRISHNA CHKD: APPR: ISHWARG REV: A1	2016/12/21 2017/01/09	GENERAL TOLERANCES (UNLESS SPECIFIED)	DIMENSION UNITS	SCALE							
▽ = 0			MM	NTS								
▽ = 0			ANGULAR TOL ± 0.5 °	DRWN BY	DATE	PACKAGING SPECIFICATION FOR CIRCULAR PLUG HOUSINGS MULTICAT WTW SYSTEM						
▼ = 0			4 PLACES ±	MRAMAKRISHNA	2016/08/16							
▽ = 0			3 PLACES ±	CHK'D BY	DATE	PACKAGING DESIGN DRAWING						
▽ = 0			2 PLACES ± 0.13	APPR BY	DATE							
▽ = 0	1 PLACE ± 0.25	ISHWARG	2016/12/13	SERIES	MATERIAL NUMBER	CUSTOMER						
☒ = 0	0 PLACES ±	DRAFT WHERE APPLICABLE MUST REMAIN WITHIN DIMENSIONS		DRAWING SIZE	THIRD ANGLE PROJECTION	200914	SEE DRAWING	GENERAL MARKET				
■ = 0	A1		A2			DOCUMENT NUMBER	PDD	DOC PART	DOC PK	SHEET NUMBER		
▽ = 0	2009140003		1 OF 1									