

MODEL:

TLP310DMUSB

Protect It!® Desktop Grommet Surge Protector with USB Charging



Stores Flush to Desktop



900 Joule Rating



3 Outlets



2 USB Charging Ports



Certified to UL 962A



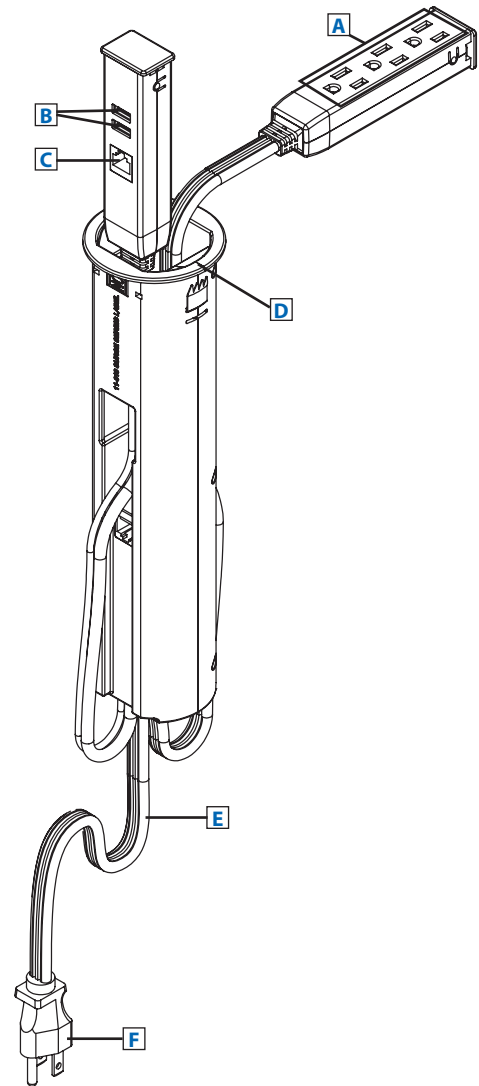
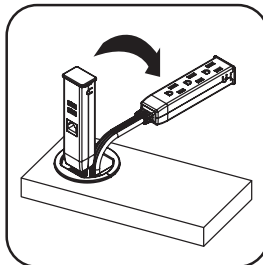
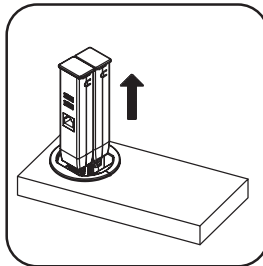
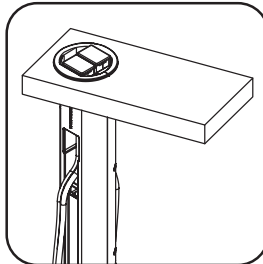
\$20K Ultimate Lifetime Insurance



Lifetime Warranty

- A** NEMA 5-15R Surge Protected Outlets (3) (900 Joule Rating)
- B** USB Charging Ports (2) (Up to 2.4A total)
- C** Surge Protected RJ45 Port
- D** 2 1/2" Grommet with Pull Out Surge Protector and USB Charging Units (Certified to UL 962A and may be permanently mounted.)
- E** 10 ft. Input Power Cord
- F** NEMA 5-15P Input Plug

Also Includes: Owner's manual and 2 mounting clips.



Specifications

Model	TLP310DMUSB
Input Voltage	120V AC, 60 Hz
Outlets	(3) 5-15R
Plug Type/Cord Length	5-15P / 6 ft. (1.8 m)
Charging Ports	2 USB ports (2.4A total)
Max Output Watts	1800W
Output Amperage	15A
Surge Protection Rating	900 Joules
Protection Modes	Includes full normal mode (H-N) and common mode (N-G / H-G)
Unit Dimensions [H x W x D]	11.02 x 2.86 x 2.47 in. (280 x 72.7 x 62.7 mm)
Shipping Dimensions [H x W x D]	3.07 x 13.99 x 4.89 in. (78 x 355 x 124 mm)
Unit Weight	2.21 lb. (1 kg)
Shipping Weight	2.38 lb. (1.07 kg)
Standards	Certified to UL 1449 & UL 962A; conforms to IEEE 587/ANSI C62.41; meets NOM & RoHS Standards

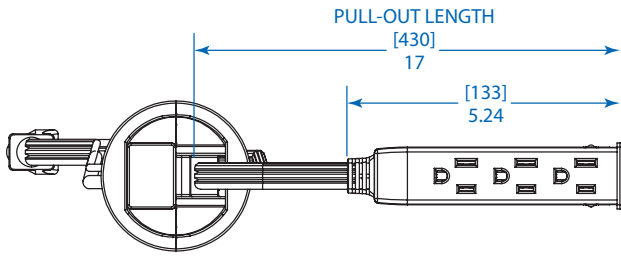


- Certified to UL 962A and may be permanently mounted
- Pushes down flush with desktop surface when not in use
- Desktop grommet fits 2 1/2" (64 mm) holes

SEE NEXT PAGE FOR DETAILED UNIT MEASUREMENTS

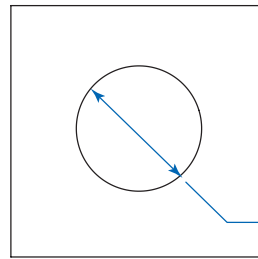


1111 W. 35th Street
Chicago, IL 60609 USA
773.869.1234
www.tripplite.com

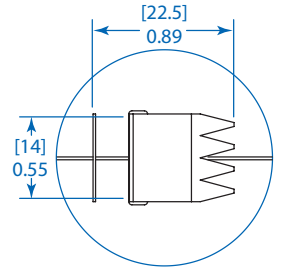


TOP VIEW

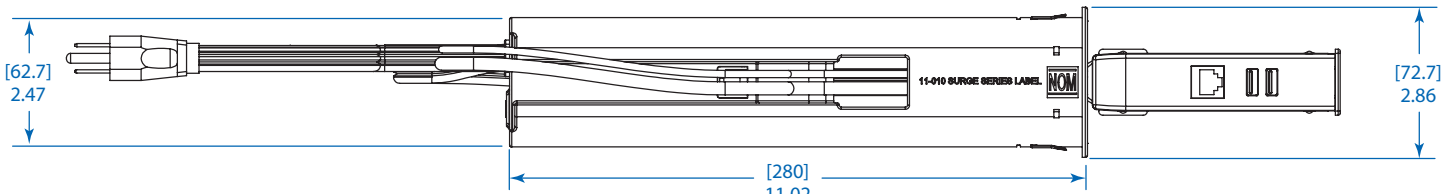
MIN. TABLE THICKNESS: [19.05]
0.75



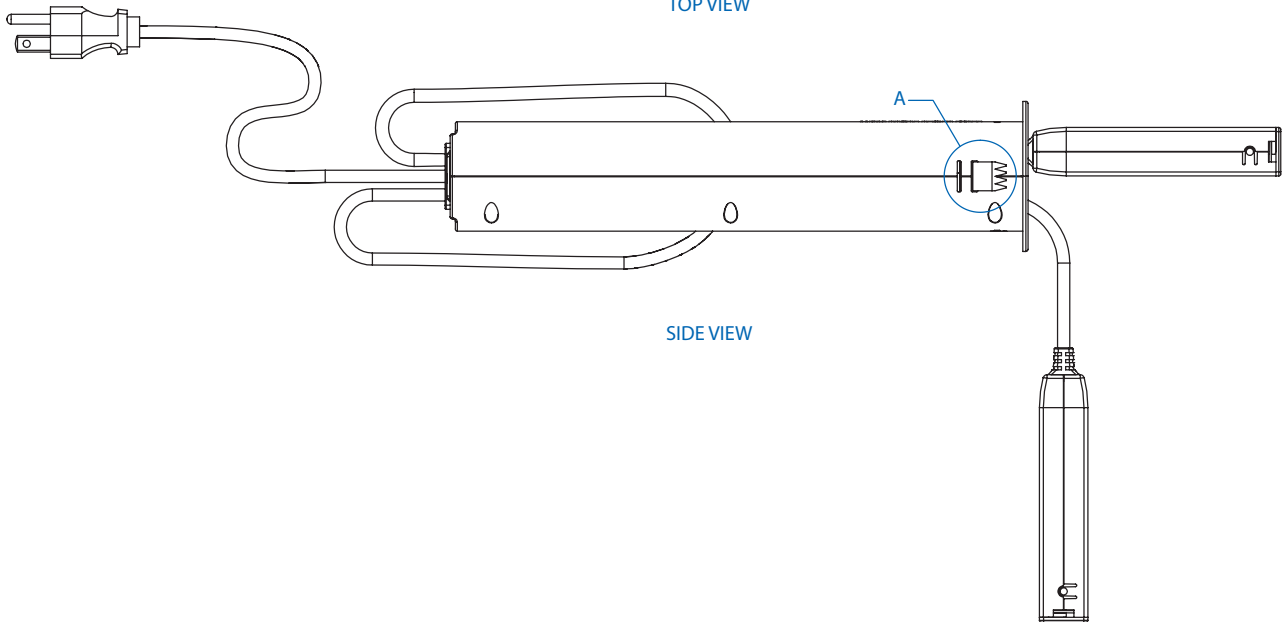
CUT OUT DIAMETER



DETAIL A



TOP VIEW



SIDE VIEW

MODEL:
TLP310DMUSB



1111 W. 35th Street
Chicago, IL 60609 USA
773.869.1234

www.tripplite.com

Dimensions: [mm] INCHES

Tripp Lite has a policy of continuous improvement. Specifications are subject to change without notice.