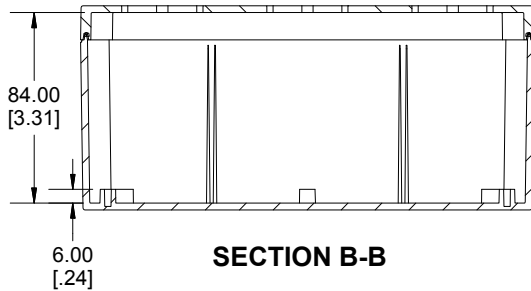
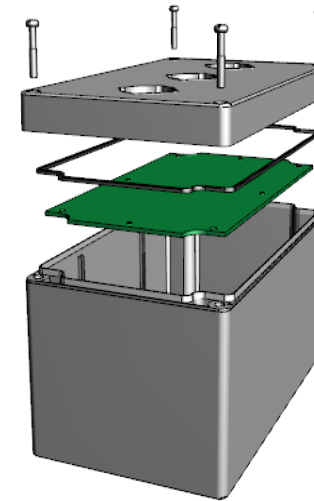
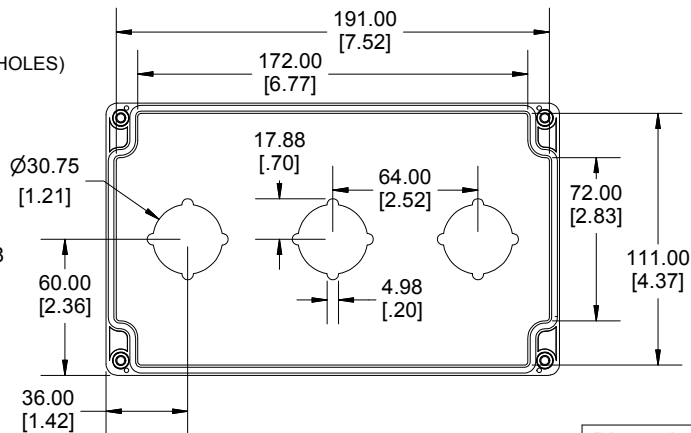
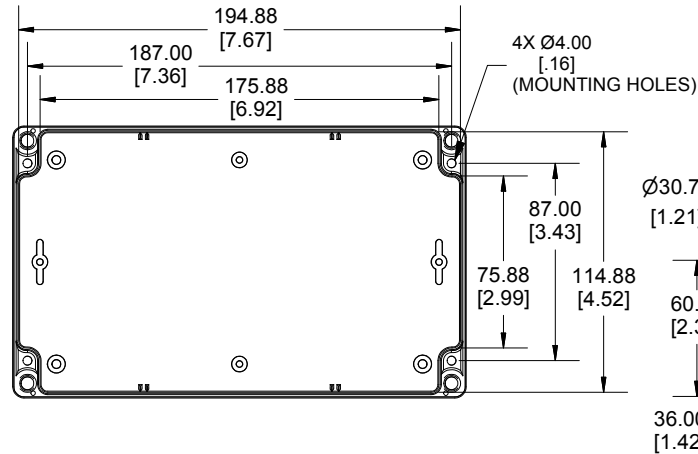
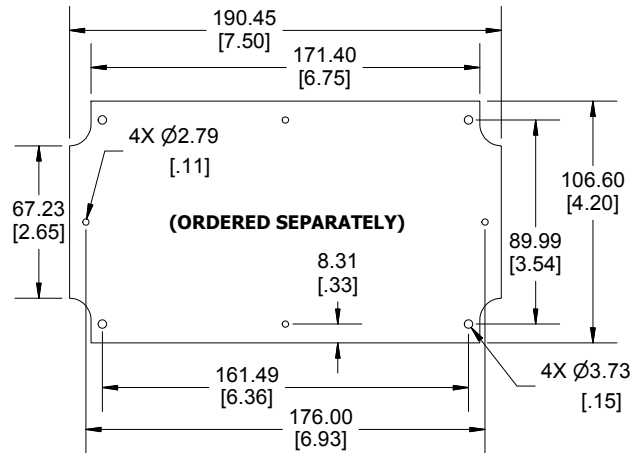


**SECTION A-A**



**SECTION B-B**



Dimensions:  
mm  
[inches]

POLYCARBONATE  
VERSION ONLY  
UL US LISTED  
FILE #E65324  
NEMA 4, 4X

SEE ENCLOSURE 1554U  
FOR MORE DETAIL

Enclosures can be Factory Modified ( Milling, Drilling, Printing etc.)  
Contact Factory [mjm@hammondmfg.com](mailto:mjm@hammondmfg.com) for quotes  
Solid models of this enclosure available in STEP or IGES.  
(Part number and text placement/orientation on our products are subject to change,  
we do not recommend using them as a locating reference for modification purposes)

**NOTE**

Purchased assembly includes box, lid, 4 cover screws, and preformed silicone gasket.  
Polycarbonate version is UL 508 approved. (Matl UL94 - 5VA @ 3mm)  
Lid accepts 30.5mm push buttons

**Recommended Cover screw torque -- 2.5 lbf-in (30 cN-m)**

<b>1554PB</b>	
<b>1554PB Enclosure</b>	
Polycarbonate RAL-7035	1554PB3
<b>ACCESSORIES</b>	
Steel Inner Panels	1554UPL
Steel Panel / P.C. Board Machine Screw [M3 x 8mm Plated]	1591MM100
Steel Panel / P.C. Board Self Tapping Screw [#6 X 1/4" (6.4mm) Plated]	1598ATS100
Cover Screws (Pkg 4) [M4 X 20mm Stainless Steel]	SC1554

**HAMMOND  
MANUFACTURING**  
**1554PB3**  
[www.hammondmfg.com](http://www.hammondmfg.com)