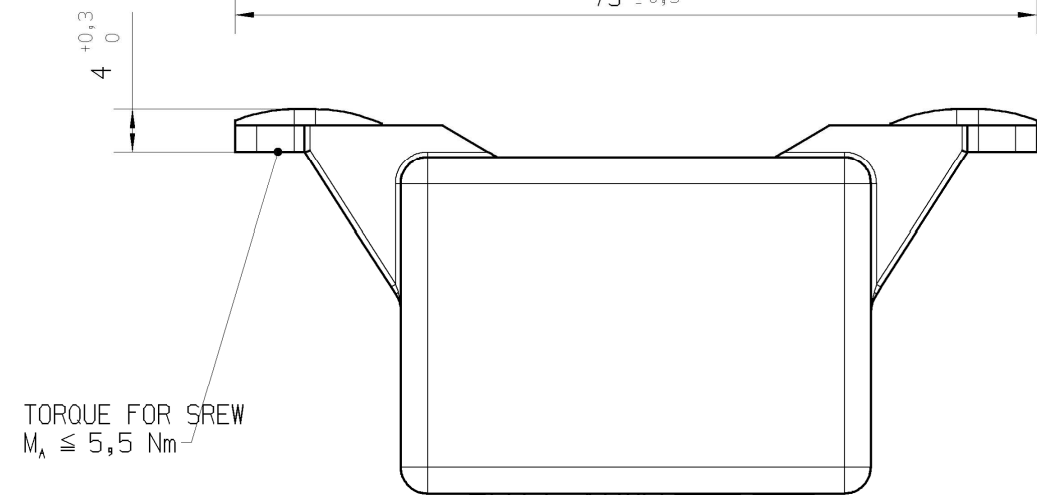
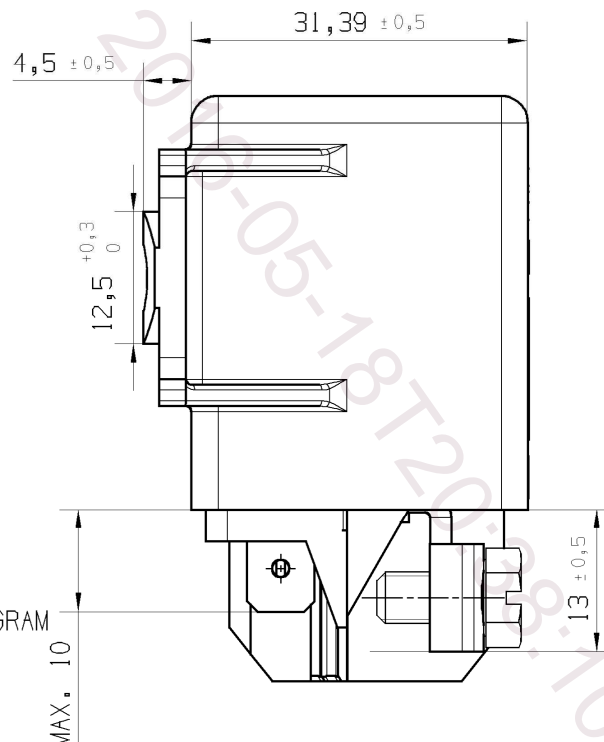
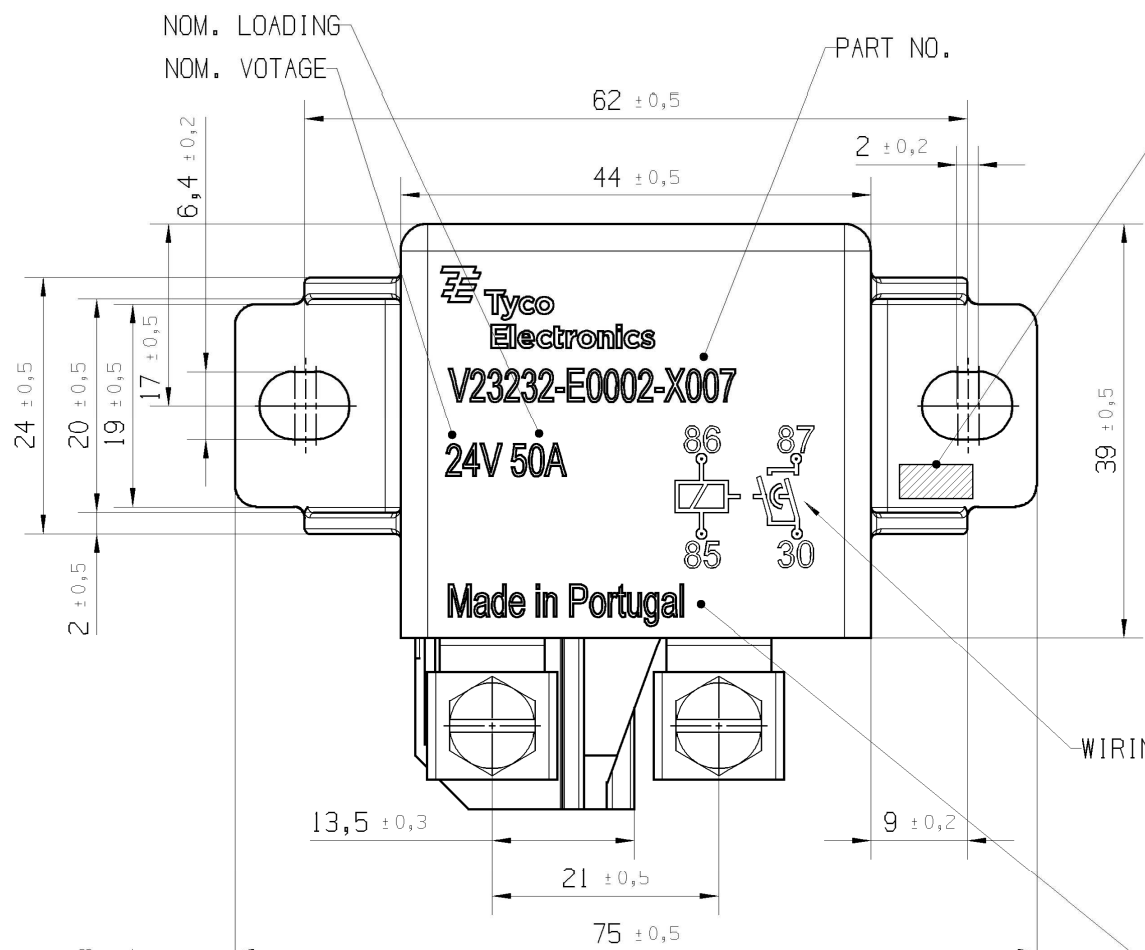
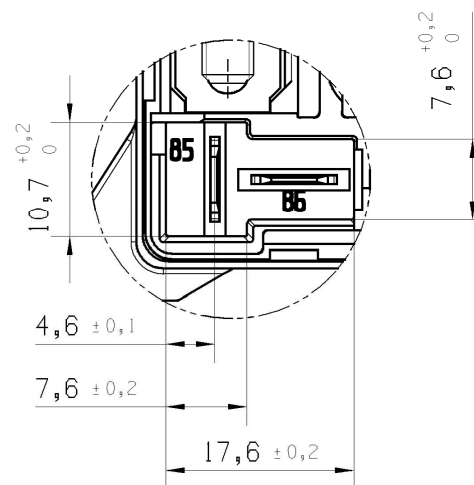
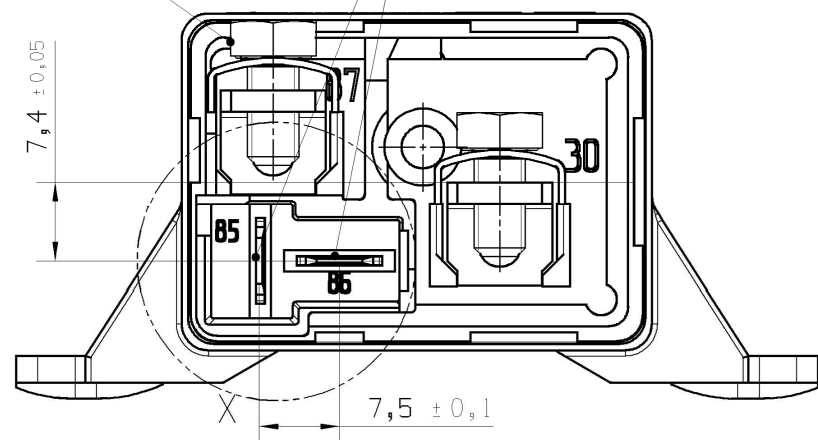


SCREW CONNECTORS M5 1)
 $M_A \leq 2,8 \text{ Nm}$

BLADE TERMINALS DIN46244-A6,3-0,8-MS

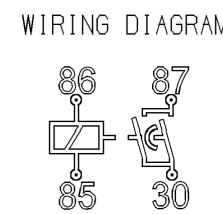
DETAIL X
 SCALE 2:1



1) Slotted hexagon head screws according DIN 933SZ; ISO 4017
 WE RESERVE THE RIGHT TO MAKE ALTERATIONS IN DESIGNATIONS

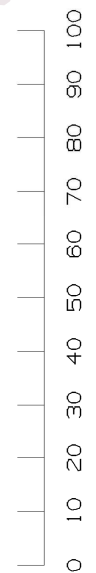
DEGREE OF PROTECTION GROUP ACC. IEC, = DIN 40 050 TEIL 9
 TERMINALS : IP00
 HOUSING : IP54

MATERIAL: BASE
 PA 6.6 GF 30± 10 [%]
 COVER
 PA 6.6 GF 30± 10 [%]



BOSCH P/N	TE P/N	P/N STATUS	PART NUMBER
0 332 002 250	0-1904002-2	Active	V23232-E0002-X007
	1-1904002-2	Obsolete	
	2-1904002-2	Obsolete	

PROPRIETARY THE REPRODUCTION, TRANSMISSION OR USE OF THIS DOCUMENT OR IT'S CONTENTS IS NOT PERMITTED WITHOUT EXPRESSED WRITTEN AUTHORITY. OFFENDERS WILL BE LIABLE FOR ALL DAMAGES. ALL RIGHTS, INCLUDING RIGHTS CREATED BY REGISTERED PATENT(S) GRANTED FOR A UTILITY MODEL OR DESIGN, ARE RESERVED.		CHANGES TO THIS DRAWING MUST BE DONE ONLY IN CAD	PAPER SIZE A2
APPLICABLE SPEC.:		FINISH	
DIMENSIONS UNLESS SPECIFIED OTHERWISE		DIMENSIONS IN MM	SCALE 2:1
TOLERANCE UNLESS SPECIFIED OTHERWISE		DIMENSIONS IN MM	WEIGHT APP. 85g
DATE NAME DWN. 02Nov2006 Infante		PART NAME POWER RELAY 24V 50A	
REV. CHANGE ORDER DATE APP.		PART NO. V23232-E0002-X007	
CLASS 3		CUSTOMER DRAWING	



US049223-2015-18T2238:10Z