

XPhase*[™] VR10, VR11 & OPTERON/ATHLON64 CONTROL IC*DESCRIPTION**

The IR3084U Control IC combined with an IR *XPhase*[™] Phase IC provides a full featured and flexible way to implement a complete VR10, VR11, Opteron, or Athlon64 power solution. The “Control” IC provides overall system control and interfaces with any number of “Phase” ICs which each drive and monitor a single phase of a multiphase converter. The *XPhase*[™] architecture results in a power supply that is smaller, less expensive, and easier to design while providing higher efficiency than conventional approaches.

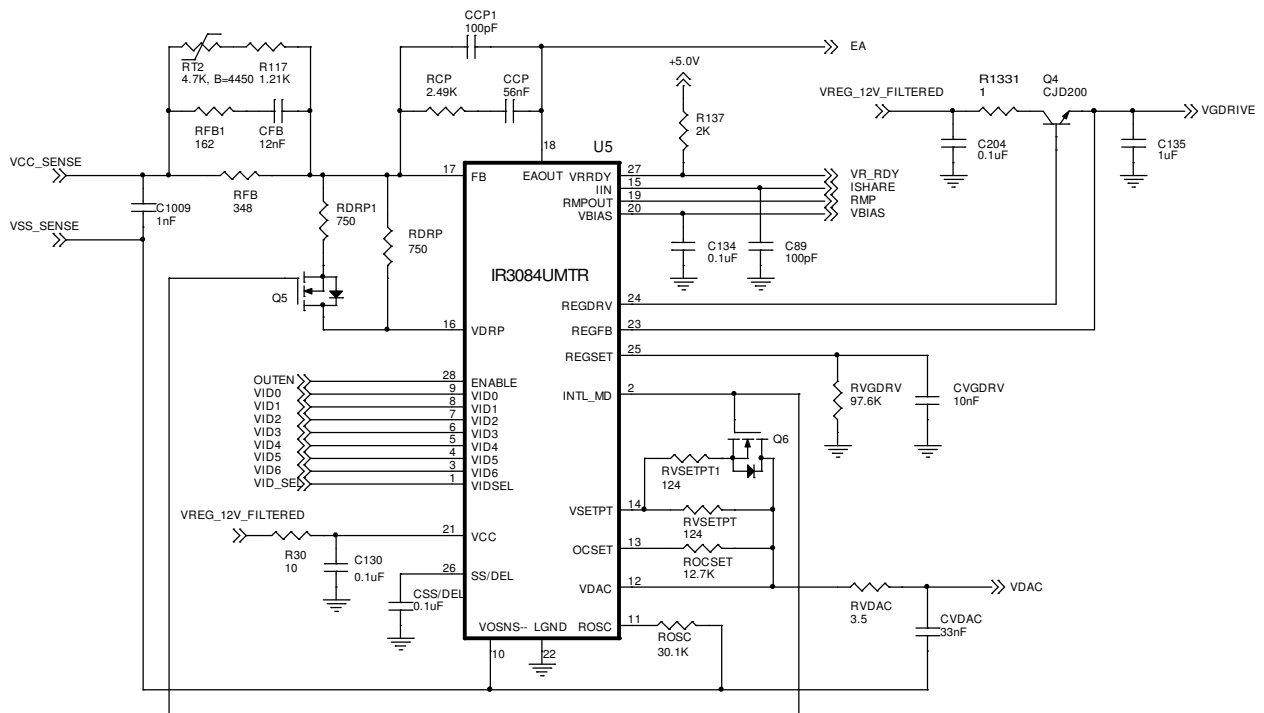
The IR3084U is based on the IR3084 VR10 Control IC, but incorporates the following modifications;

- Supports VR11 7-bit VID, VR10 7-bit extended VID, and Opteron/Athlon64 5-bit VID codes
- Supports both VR11 and legacy Opteron/Athlon64 start-up sequences
- VID Select pin sets the DAC to VR10, VR11, or Opteron/Athlon64
- INTL_MD output pin indicates which DAC is selected – Intel or AMD
- VOSENS– float detection protects the CPU in the event that the VOSENS– trace is broken
- Enable Input Thresholds set by VID Select pin to either VR10, VR11 or Opteron/Athlon64
- VID Input Thresholds set by VID Select pin to either 0.6V (VR10/VR11) or 1.24V (AMD)
- No-Load Setpoint Current changes polarity based on VID Select to accommodate VR10, VR11 (negative offset from DAC) or Opteron/Athlon64 (positive offset from DAC).

FEATURES

- 1 to X phase operation with matching Phase IC
- 7-bit VR 10/11 compatible VID with 0.5% overall system set point accuracy
- 5-bit Opteron/Athlon64 compatible VID with 1% overall system set point accuracy
- Programmable Dynamic VID Slew Rate
- +/-300mV Differential Remote Sense
- Programmable VID Offset Voltage at the Error Amplifier’s Non-Inverting Input allows Zero Offset
- Programmable 150kHz to 1MHz oscillator
- Programmable VID Offset and Load Line output impedance
- Programmable Hiccup Over-Current Protection with Delay to prevent false triggering
- Simplified VR Ready output provides indication of proper operation and avoids false triggering
- Operates from 12V input with 9.9V Under-Voltage Lockout
- 6.8V/6mA Bias Regulator provides System Reference Voltage
- Phase IC Gate Driver Bias Regulator / VRHOT Comparator
- Reduced Over-Current Detect Delay eliminates and external resistor in typical applications
- Small thermally enhanced 28L MLPQ package

TYPICAL APPLICATION CIRCUIT



ORDERING INFORMATION

DEVICE	ORDER QUANTITY
IR3084UMTRPBF	3000 Tape and Reel
IR3084UMPBF	100 Piece Strip

ABSOLUTE MAXIMUM RATINGS

Operating Junction Temperature.....0 to 150°C
 Storage Temperature Range.....-65°C to 150°C
 ESD Rating.....HBM Class 1B JEDEC standard
 Moisture Sensitivity Level.....JEDEC Level 2 @ 260 °C

PIN #	PIN NAME	V _{MAX}	V _{MIN}	I _{SOURCE}	I _{SINK}
1	VIDSEL	20V	-0.3V	1mA	1mA
2	INTL_MD	20V	-0.3V	1mA	1mA
3-9	VID6-VID0	20V	-0.3V	1mA	1mA
10	VOSNS-	0.5V	-0.5V	10mA	10mA
11	ROSC	20V	-0.5V	1mA	1mA
12	VDAC	20V	-0.3V	1mA	1mA
13	OCSET	20V	-0.3V	1mA	1mA
14	VSETPT	20V	-0.3V	1mA	1mA
15	IIN	20V	-0.3V	1mA	1mA
16	VDRP	20V	-0.3V	5mA	5mA
17	FB	20V	-0.3V	1mA	1mA
18	EAOUT	10V	-0.3V	20mA	20mA
19	RMPOUT	20V	-0.3V	5mA	5mA
20	VBIAS	20V	-0.3V	50mA	10mA
21	VCC	20V	-0.3V	1mA	50mA
22	LGND	n/a	n/a	50mA	1mA
23	REGFB	20V	-0.3V	1mA	1mA
24	REGDRV	20V	-0.3V	10mA	50mA
25	REGSET	20V	-0.3V	1mA	1mA
26	SS/DEL	20V	-0.3V	1mA	1mA
27	VRRDY	20V	-0.3V	1mA	20mA
28	ENABLE	20V	-0.3V	1mA	1mA

ELECTRICAL SPECIFICATIONS

Unless otherwise specified, these specifications apply over: $9.5V \leq V_{CC} \leq 16V$, $-0.3V \leq V_{OSNS-} \leq 0.3V$, $0^{\circ}C \leq T_J \leq 100^{\circ}C$, $ROSC = 24k\Omega$, $CSS/DEL = 0.1\mu F \pm 10\%$

PARAMETER	TEST CONDITION	MIN	TYP	MAX	UNIT
VDAC REFERENCE					
VR10/VR11 System Set-Point Accuracy (Deviation from Tables 1 & 2 per test circuit in Figure 1 which emulates in-VR operation)	$VID \geq 1V$, $10k\Omega \leq ROSC \leq 100k\Omega$, $25^{\circ}C \leq T_J \leq 100^{\circ}C$	-0.5		0.5	%
	$0.8V \leq VID < 1V$, $10k\Omega \leq ROSC \leq 100k\Omega$, $25^{\circ}C \leq T_J \leq 100^{\circ}C$	-5		+5	mV
Opteron/Athlon64 System Set-Point Accuracy	$25^{\circ}C \leq T_J \leq 100^{\circ}C$	-1		1	%
Source Current	Includes OCSET and VSETPT currents	104	113	122	μA
Sink Current	Includes OCSET and VSETPT currents	92	100	108	μA
VR10/VR11 VIDx Input Threshold		500	600	700	mV
Opteron/Athlon64 VIDx Input Threshold		1.04	1.24	1.44	V
VIDx Input Bias Current	$0V < VIDx < VCC$	-5	0	5	μA
VIDx 11111x Blanking Delay	Measure Time till VRRDY drives low	0.5	1.3	2.1	μs
VIDSEL Pull up Voltage	VIDSEL Floating	1.95	2.4	2.85	V
VIDSEL Pull up Resistor		2.25	4.5	9	K Ω
VIDSEL VR10/Opteron Threshold	VIDSEL "LOW"	0.5	0.6	0.7	V
VIDSEL Opteron Voltage	6.49K from VIDSEL to GND	0.9	1.3	1.7	V
VIDSEL Opteron/VR11 Threshold		1.8	1.95	2.1	V
ERROR AMPLIFIER					
Input Offset Voltage	Measure $V(FB) - V(VSETPT)$ per test circuit in Figure 1. Applies to all VID codes. Note 2.	-5	0.0	5	mV
FB Bias Current		-1	-0.1	0.5	μA
VSETPT Bias Current	VR10/VR11 Mode	48.5	51	53.5	μA
VSETPT Bias Current	Opteron/Athlon64 Mode	-54	-47	-39	μA
DC Gain	Note 1	90	100	110	dB
Gain Bandwidth Product	Note 1	6	10		MHz
Corner Frequency	45 deg Phase Shift, Note 1		200	400	Hz
Slew Rate	Note 1	1.4	3.2	5	V/ μs
Source Current		-1.2	-0.7	-0.35	mA
Sink Current		0.5	1.1	1.7	mA
Max Voltage	VBIAS-VEAOUT (referenced to VBIAS)	150	350	600	mV
Min Voltage	Normal operation or Fault mode	30	125	200	mV

PARAMETER	TEST CONDITION	MIN	TYP	MAX	UNIT
CURRENT SENSE INPUT					
IIN BIAS CURRENT	$V(SS/DEL) > 0.85V, V(EAOUT) > 0.5V$	-2.0	-0.2	1.0	μA
IIN Preconditioning Pull-Down Resistance	$V(SS/DEL) < 0.35V$	5.6	12.5	19.4	$K\Omega$
IIN Preconditioning RESET Threshold	$V(EAOUT)$	0.20	0.35	0.50	V
IIN Preconditioning SET Threshold	$V(SS/DEL)$	0.35	0.60	0.85	V
VDRP BUFFER AMPLIFIER					
Input Offset Voltage	$V(VDRP) - V(IIN), 0.5V < V(IIN) < 5V$	-10	-2	6	mV
Source Current	$0.5V < V(IIN) < 5V$	-9.0	-6.8	-4.0	mA
Sink Current	$0.5V < V(IIN) < 5V$	0.2	0.85	4.1	mA
Bandwidth (-3dB)	Note 1	1	6		MHz
Slew Rate	Note 1	5	10		$V/\mu s$
VBIAS REGULATOR					
Output Voltage	$-5mA < I(VBIAS) < 0mA$	6.6	6.9	7.2	V
Current Limit		-35	-20	-6	mA
OVER-CURRENT COMPARATOR					
Input Offset Voltage	$1V < V(OCSET) < 5V$	-10	0	10	mV
OCSET Bias Current		-53.5	-51	-48.5	μA
SOFT START AND DELAY					
Start Delay (TD1)	$RDRP = \infty$	1.2	1.8	2.6	ms
Soft Start Time (TD2)	$RDRP = \infty$, Time to reach 1.1V	0.8	1.8	2.8	ms
VID Sample Delay (TD3)	VR10/VR11 mode only	0.2	1.0	2.5	ms
DVID Slew Time & VRRDY Delay (TD4+TD5)	VR10/VR11 mode only	0.5	1.3	2.2	ms
PowerGood Delay	Opteron/Athlon64 mode. Measured from $V_{core}=1.1V$ to when VRRDY transitions HI.	0.7	2.3	4.7	ms
OC Delay Time		150	250	350	μs
SS/DEL to FB Input Offset Voltage	With $FB = 0V$, adjust $V(SS/DEL)$ until EAOUT drives high	0.85	1.3	1.5	V
SS/DEL Charge Current		40	70	100	μA
SS/DEL Discharge Current		4	6.5	9	μA
Charge/Discharge Current Ratio		9.5	11.2	12.5	$\mu A/\mu A$
OC Discharge Current	Note 1	20	40	60	μA
Charge Voltage		3.6	3.85	4.1	V
OC/VRRDY Delay Comparator Threshold	Relative to Charge Voltage, SS/DEL rising		80		mV
OC/VRRDY Delay Comparator Threshold	Relative to Charge Voltage, SS/DEL falling		100		mV
Delay Comparator Hysteresis	Note 1		20		mV
VID Sample Delay Comparator Threshold	VR10/VR11 mode only		3.10		V
SS/DEL Discharge Comparator Threshold			215		mV

PARAMETER	TEST CONDITION	MIN	TYP	MAX	UNIT
VRRDY OUTPUT					
Output Voltage	I(VRRDY) = 4mA		150	300	mV
Leakage Current	V(VRRDY) = 5.5V		0	10	μA
ENABLE INPUT					
VR10/11 Threshold Voltage	ENABLE rising	800	850	900	mV
VR10/11 Threshold Voltage	ENABLE falling	700	750	800	mV
VR10/11 Threshold Hysteresis		70	100	130	mV
Opteron/Athlon64 Threshold Voltage	ENABLE rising	1.11	1.23	1.35	V
Opteron/Athlon64 Threshold Voltage	ENABLE falling	1.06	1.17	1.29	V
Opteron/Athlon64 Threshold Hysteresis		35	60	85	mV
Input Resistance		50	100	200	KΩ
Blanking Time	Noise Pulse < 250ns will not register an ENABLE state change. Note 1	75	250	400	ns
OSCILLATOR					
Switching Frequency	ROSC = 24KΩ	450	500	550	kHz
Peak Voltage (4.8V typical, measured as % of VBIAS)		70	71	74	%
Valley Voltage (0.9V typical, measured as % of VBIAS)		10	13	15	%
INTL_MD OUTPUT					
Source Current	V(INTL_MD)=2V, VR10 or VR11 mode	100	200	300	μA
Sink Current	V(INTL_MD)=2V, Opteron mode	250	750	1500	μA
Max Voltage	Pin Floating, V(VBIAS)-V(INTL_MD)	50	170	350	mV
Min Voltage	Pin Floating, LGND referenced		400	900	mV
VOSNS- FLOAT DETECT					
Detect Voltage	V(VOSNS-) with respect to V(LGND), Verify V(VRRDY) and V(EAOUT) are low.	1.2	2	2.6	V
Detect Delay	V(VOSNS-) 0V to 2.6V step, measure time when V(VRRDY) falls. Note 1	200	350	600	ns
DRIVER BIAS REGULATOR					
REGSET Bias Current	1.5V < V(REGSET) < VCC - 1.5V	-112	-99	-85	μA
Input Offset Voltage	1.5V < V(REGSET) < VCC - 1.5V, 100μA < I(REGDRV) < 10mA	-12	0	12	mV
Short Circuit Current	V(REGDRV) = 0V, 1.5V < V(REGSET) < VCC - 1.5V, Note 1	10	20	50	mA
Dropout Voltage	I(REGDRV) = 10mA, Note 1	0.4	0.87	1.33	V

PARAMETER	TEST CONDITION	MIN	TYP	MAX	UNIT
VCC UNDER-VOLTAGE LOCKOUT					
Start Threshold		9.3	9.9	10.3	V
Stop Threshold		8.5	9.1	9.5	V
Hysteresis	Start – Stop	550	800	1000	mV
GENERAL					
VCC Supply Current		9	14	18	mA
VOSNS- Current	-0.3V < VOSNS- < 0.3V, All VID Codes	-1.45	-1.1	-0.75	mA

Note 1: Guaranteed by design, but not tested in production

Note 2: VDAC Output is trimmed to compensate for Error Amp input offsets errors

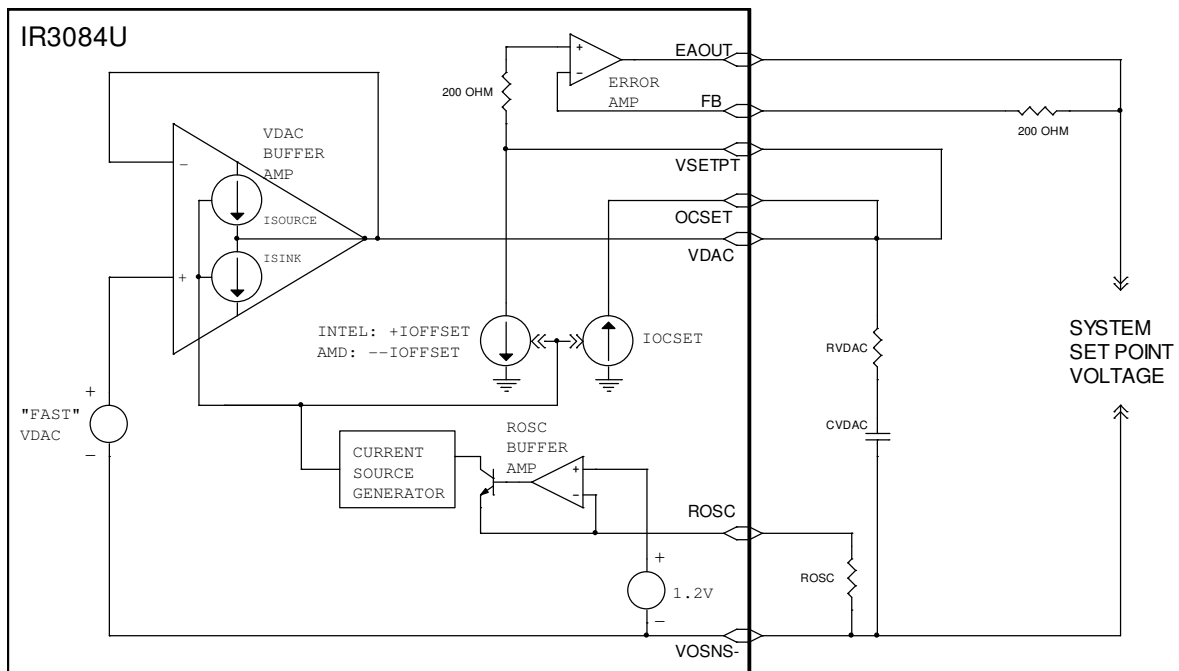


Figure 1 – System Set Point Test Circuit

PIN DESCRIPTIONS

PIN#	PIN SYMBOL	DESCRIPTION
1	VIDSEL	Selects the DAC table and the type of Soft Start. There are 3 possible modes of operation: (1) GND selects VR10 DAC and VR11 type startup, (2) FLOAT (2.4V) selects VR11 DAC and VR11 type startup, (3) 6.49K to GND (1.3V) selects Opteron/Athlon64 DAC and legacy type startup. Additional details are provided in the Theory of Operation section.
2	INTL_MD	Output that indicates if the controller is in Intel Mode or AMD Mode. This pin will be Low when in AMD mode and High when in Intel mode.
3-9	VID6-VID0	Inputs to the D to A Converter. Must be connected to an external pull up resistor.
10	VOSNS-	Negative Remote Sense Input. Connect to ground at the Load.
11	ROSC	Connect a resistor from this pin to VOSNS- to program the oscillator's frequency, OCSET, VSETPT, REGSET, and VDAC bias currents.
12	VDAC	Regulated output voltage programmed by the VID inputs. Connect an external RC network to from this pin to VOSNS- to program the Dynamic VID slew rate and provide compensation for the internal Buffer Amplifier.
13	OCSET	Programs the hiccup over-current threshold through an external resistor tied to VDAC and an internal current source. Over-current protection can be disabled by connecting a resistor from this pin to VDAC to program the threshold higher than the possible signal into the IIN pin from the Phase ICs but no greater than 5V (do not float this pin as improper operation will occur).
14	VSETPT	Error Amp non-inverting input. The converter's output voltage can be decreased (Intel) or increased (AMD) from the VDAC voltage with an external resistor connected between VDAC and an internal current source. Current sensing and PWM operation are referenced to this pin.
15	IIN	Current Sense input from the Phase IC(s). Prior to startup, when SS/DEL<0.6V, this pin is pulled low by a 12.5K resistor to disable current balancing in the Phase ICs. When SS/DEL>0.6V and EAOUT>0.35V, this pin is released and current balancing is enabled. If AVP or over-current protection is not required, connect this pin to VDAC. To ensure proper do not float this pin.
16	VDRP	Buffered IIN signal. Connect an external resistor from this pin to the FB pin to set the converter's output impedance.
17	FB	Inverting input to the Error Amplifier.
18	EAOUT	Output of the Error Amplifier. When Low, provides UVL function to the Phase ICs.
19	RMPOUT	Oscillator Output voltage. Used by the Phase ICs to program Phase Delay.
20	VBIAS	6.9V/6mA Regulated output used as a system reference voltage for internal circuitry and for phase timing at the Phase ICs.
21	VCC	Power Input for the internal circuitry.
22	LGND	Local Ground for internal circuitry and IC substrate connection
23	REGFB	Inverting input of the Bias Regulator Error Amp. Connect this pin to the collector of the Phase IC Gate Driver Bias transistor.
24	REGDRV	Output of the Bias Regulator Error Amp.
25	REGSET	Non-inverting input of the Bias Regulator Error Amp. The output voltage of the Phase IC Gate Driver Bias Regulator is set by an internal current source supplying an external resistor connected from this pin to ground.
26	SS/DEL	Controls converter start-up and over-current timing. Connect an external capacitor from this pin to LGND to program the soft start and delay times.
27	VRRDY	Open Collector output that drives low during start-up and when any external fault occurs. Connect external pull-up resistor.
28	ENABLE	Enable Input. A logic low applied to this pin puts the IC into Fault mode. This pin has a 100K pull-down resistor to GND.

SYSTEM THEORY OF OPERATION

***XPhase*TM Architecture**

The *XPhase*TM architecture is designed for multiphase interleaved buck converters which are used in applications requiring small size, design flexibility, low voltage, high current and fast transient response. The architecture can be used in any multiphase converter ranging from 1 to 16 or more phases where flexibility facilitates the design trade-off of multiphase converters. The scalable architecture can be applied to other applications which require high current or multiple output voltages.

As shown in Figure 2, the *XPhase*TM architecture consists of a Control IC and a scalable array of phase converters each using a single Phase IC. The Control IC communicates with the Phase ICs through a 5-wire analog bus, i.e. bias voltage, phase timing, average current, error amplifier output, and VID voltage. The Control IC incorporates all the system functions, i.e. VID, PWM ramp oscillator, error amplifier, bias voltage, and fault protections etc. The Phase IC implements the functions required by the converter of each phase, i.e. the gate drivers, PWM comparator and latch, over-voltage protection, and current sensing and sharing.

There is no unused or redundant silicon with the *XPhase*TM architecture compared to others such as a 4 phase controller that can be configured for 2, 3, or 4 phase operation. PCB Layout is easier since the 5 wire bus eliminates the need for point-to-point wiring between the Control IC and each Phase. The critical gate drive and current sense connections are short and local to the Phase ICs. This improves the PCB layout by lowering the parasitic inductance of the gate drive circuits and reducing the noise of the current sense signal.

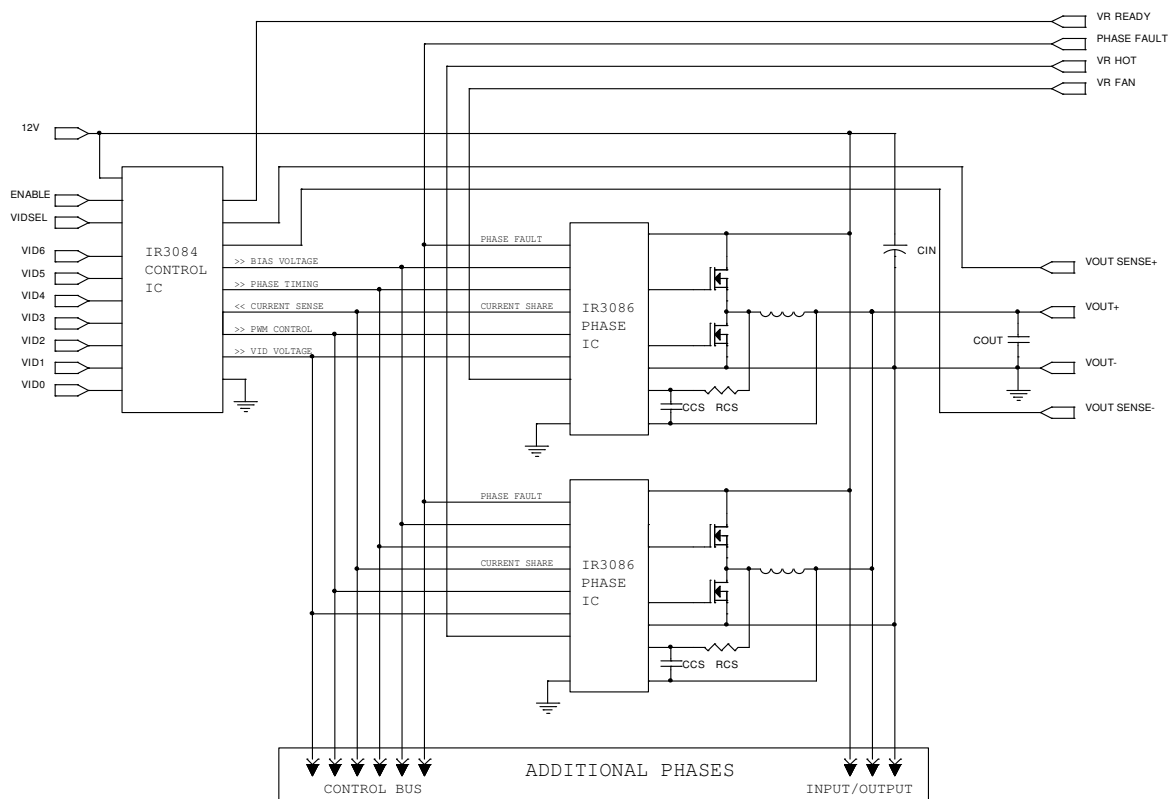


Figure 2 – System Block Diagram

PWM Control Method

The PWM block diagram of the *XPhase*TM architecture is shown in Figure 3. Feed-forward voltage mode control with trailing edge modulation is used. A high-gain wide-bandwidth voltage type error amplifier in the Control IC is used for the voltage control loop. An external RC circuit connected to the input voltage and ground is used to program the slope of the PWM ramp and to provide the feed-forward control at each phase. The PWM ramp slope will change with the input voltage and automatically compensate for changes in the input voltage. The input voltage can change due to variations in the silver box output voltage or due to drops in the PCB related to changes in load current.

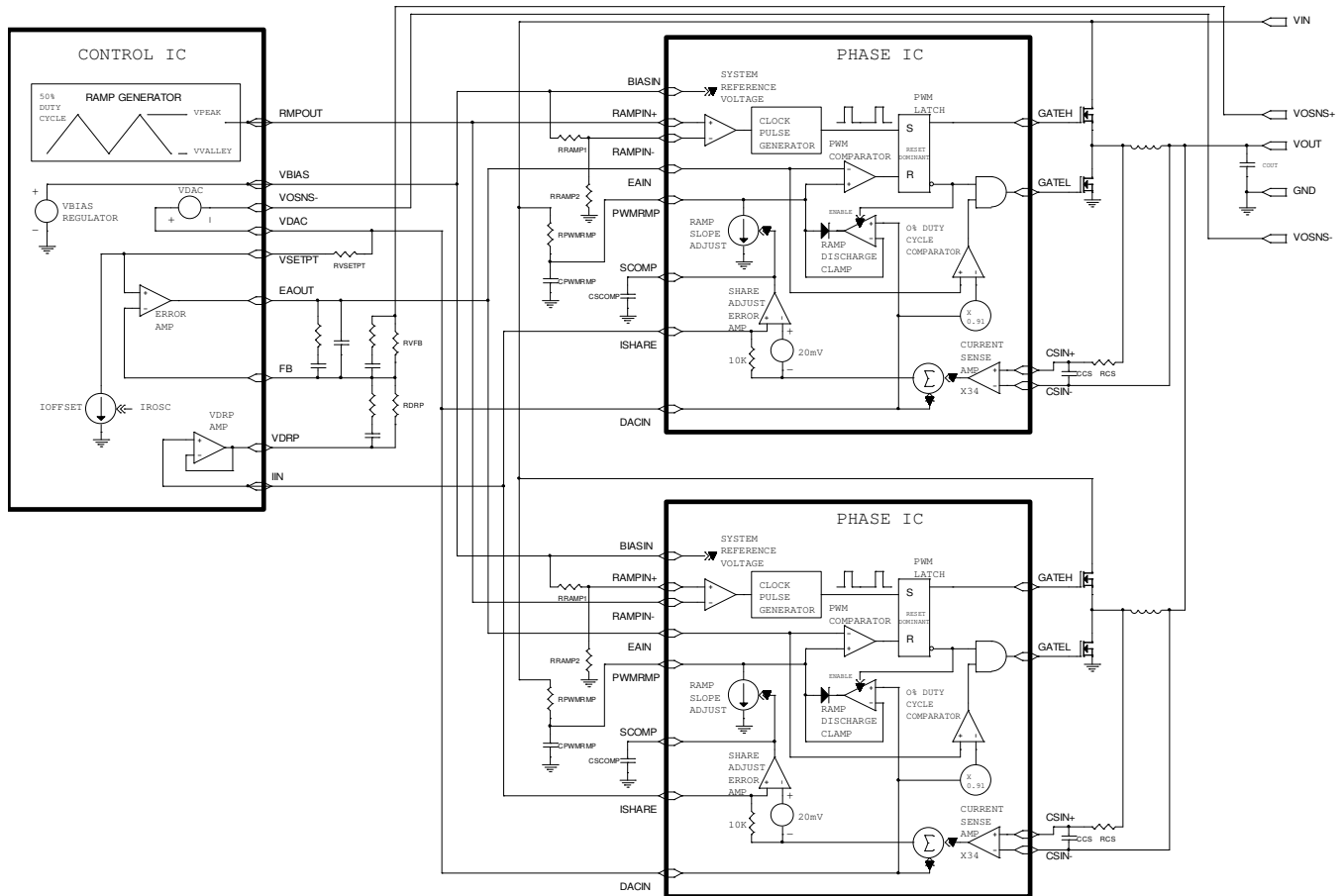


Figure 3 – IR3084U PWM Block Diagram

Frequency and Phase Timing Control

The oscillator is located in the Control IC and its frequency is programmable from 150kHz to 1MHz by an external resistor. The output of the oscillator is a 50% duty cycle triangle waveform with peak and valley voltages of approximately 5V and 1V. This signal is used to program both the switching frequency and phase timing of the Phase ICs. The Phase IC is programmed by resistor divider RRAMP1 and RRAMP2 connected between the VBIAS reference voltage and the Phase IC LGND pin. A comparator in the Phase ICs detects the crossing of the oscillator waveform with the voltage generated by the resistor divider and triggers a clock pulse that starts the PWM cycle. The peak and valley voltages track the VBIAS voltage reducing potential Phase IC timing errors. Figure 4 shows the Phase timing for an 8 phase converter. Note that both slopes of the triangle waveform can be used for synchronization by swapping the RAMP + and – pins.

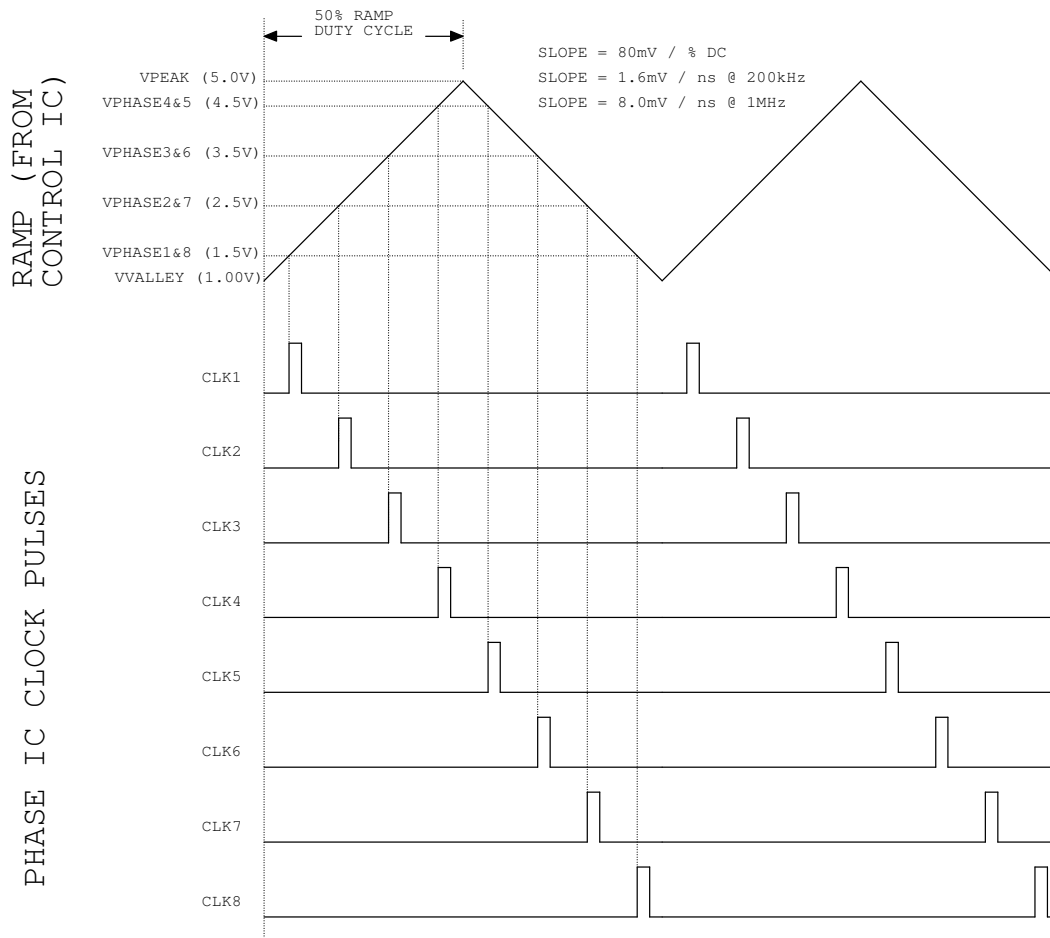


Figure 4 – 8 Phase Oscillator Waveforms

PWM Operation

The PWM comparator is located in the Phase IC. Upon receiving a clock pulse, the PWM latch is set, the PWMRMP voltage begins to increase, the low side driver is turned off, and the high side driver is then turned on. When the PWMRMP voltage exceeds the Error Amp’s output voltage the PWM latch is reset. This turns off the high side driver, turns on the low side driver, and activates the Ramp Discharge Clamp. The clamp quickly discharges the PWMRMP capacitor to the VDAC voltage of the Control IC until the next clock pulse.

The PWM latch is reset dominant allowing all phases to go to zero duty cycle within a few tens of nanoseconds in response to a load step decrease. Phases can overlap and go to 100% duty cycle in response to a load step increase with turn-on gated by the clock pulses. An Error Amp output voltage greater than the common mode input range of the PWM comparator results in 100% duty cycle regardless of the voltage of the PWM ramp. This arrangement guarantees the Error Amp is always in control and can demand 0 to 100% duty cycle as required. It also favors response to a load step decrease which is appropriate given the low output to input voltage ratio of most systems. The inductor current will increase much more rapidly than decrease in response to load transients.

This control method is designed to provide “single cycle transient response” where the inductor current changes in response to load transients within a single switching cycle maximizing the effectiveness of the power train and minimizing the output capacitor requirements. An additional advantage is that differences in ground or input voltage at the phases have no effect on operation since the PWM ramps are referenced to VDAC.

Body Braking™

In a conventional synchronous buck converter, the minimum time required to reduce the current in the inductor in response to a load step decrease is;

$$T_{SLEW} = [L \times (I_{MAX} - I_{MIN})] / V_{out}$$

The slew rate of the inductor current can be significantly increased by turning off the synchronous rectifier in response to a load step decrease. The switch node voltage is then forced to decrease until conduction of the synchronous rectifier's body diode occurs. This increases the voltage across the inductor from V_{out} to $V_{out} + V_{BODY DIODE}$. The minimum time required to reduce the current in the inductor in response to a load transient decrease is now;

$$T_{SLEW} = [L \times (I_{MAX} - I_{MIN})] / (V_{out} + V_{BODY DIODE})$$

Since the voltage drop in the body diode is often higher than output voltage, the inductor current slew rate can be increased by 2X or more. This patent pending technique is referred to as "body braking" and is accomplished through the "0% Duty Cycle Comparator" located in the Phase IC. If the Error Amp's output voltage drops below 91% of the VDACC voltage this comparator turns off the low side gate driver.

Figure 5 depicts PWM operating waveforms under various conditions

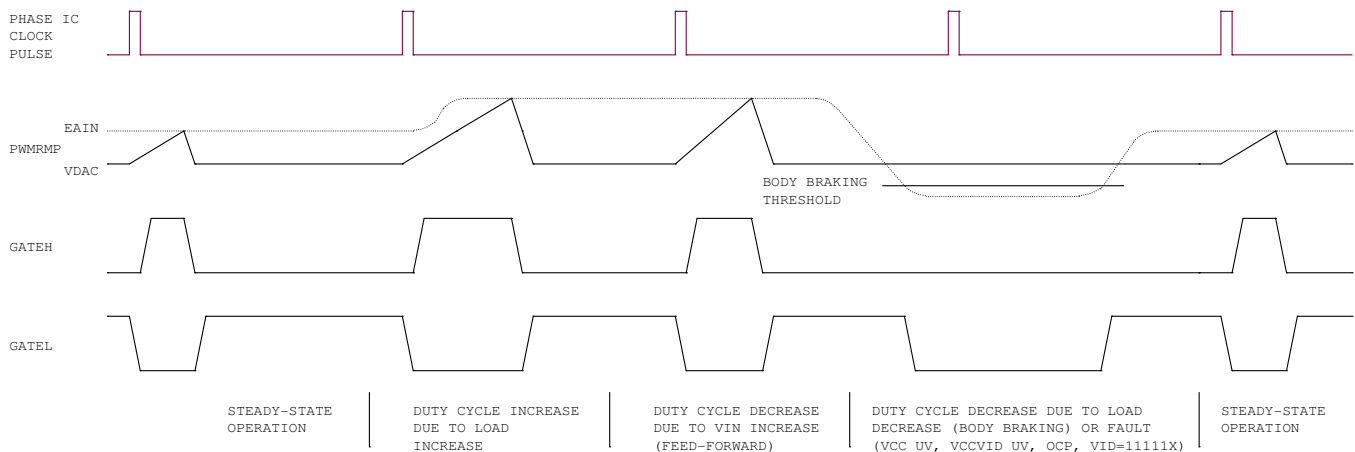


Figure 5 – PWM Operating Waveforms

Lossless Average Inductor Current Sensing

Inductor current can be sensed by connecting a series resistor and a capacitor network in parallel with the inductor and measuring the voltage across the capacitor. The equation of the sensing network is,

$$v_c(s) = v_L(s) \frac{1}{1 + sR_s C_s} = i_L(s) \frac{R_L + sL}{1 + sR_s C_s}$$

Usually the resistor R_{cs} and capacitor C_{cs} are chosen so that the time constant of R_{cs} and C_{cs} equals the time constant of the inductor which is the inductance L over the inductor DCR. If the two time constants match, the voltage across C_{cs} is proportional to the current through L , and the sense circuit can be treated as if only a sense resistor with the value of R_L was used. The mismatch of the time constants does not affect the measurement of inductor DC current, but affects the AC component of the inductor current.

The advantage of sensing the inductor current versus high side or low side sensing is that actual output current being delivered to the load is obtained rather than peak or sampled information about the switch currents. The output voltage can be positioned to meet a load line based on real time information. Except for a sense resistor in series with the inductor, this is the only sense method that can support a single cycle transient response. Other methods provide no information during either load increase (low side sensing) or load decrease (high side sensing).

An additional problem associated with peak or valley current mode control for voltage positioning is that they suffer from peak-to-average errors. These errors will show in many ways but one example is the effect of frequency variation. If the frequency of a particular unit is 10% low, the peak to peak inductor current will be 10% larger and the output impedance of the converter will drop by about 10%. Variations in inductance, current sense amplifier bandwidth, PWM prop delay, any added slope compensation, input voltage, and output voltage are all additional sources of peak-to-average errors.

Current Sense Amplifier

A high speed differential current sense amplifier is located in the Phase IC, as shown in Figure 6. Its gain decreases with increasing temperature and is nominally 34 at 25°C and 29 at 125°C (-1470 ppm/°C). This reduction of gain tends to compensate the 3850 ppm/°C increase in inductor DCR. Since in most designs the Phase IC junction is hotter than the inductor these two effects tend to cancel such that no additional temperature compensation of the load line is required.

The current sense amplifier can accept positive differential input up to 100mV and negative up to -20mV before clipping. The output of the current sense amplifier is summed with the DAC voltage and sent to the Control IC and other Phases through an on-chip 10KΩ resistor connected to the ISHARE pin. The ISHARE pins of all the phases are tied together and the voltage on the share bus represents the average inductor current through all the inductors and is used by the Control IC for voltage positioning and current limit protection.

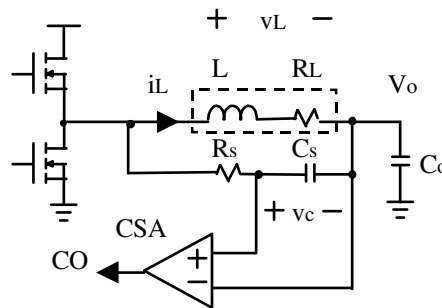


Figure 6 – Inductor Current Sensing and Current Sense Amplifier

Average Current Share Loop

Current sharing between phases of the converter is achieved by the average current share loop in each Phase IC. The output of the current sense amplifier is compared with the share bus less a 20mV offset. If current in a phase is smaller than the average current, the share adjust amplifier of the phase will activate a current source that reduces the slope of its PWM ramp thereby increasing its duty cycle and output current. The crossover frequency of the current share loop can be programmed with a capacitor at the SCOMP pin so that the share loop does not interact with the output voltage loop.

IR3084U THEORY OF OPERATION

Block Diagram

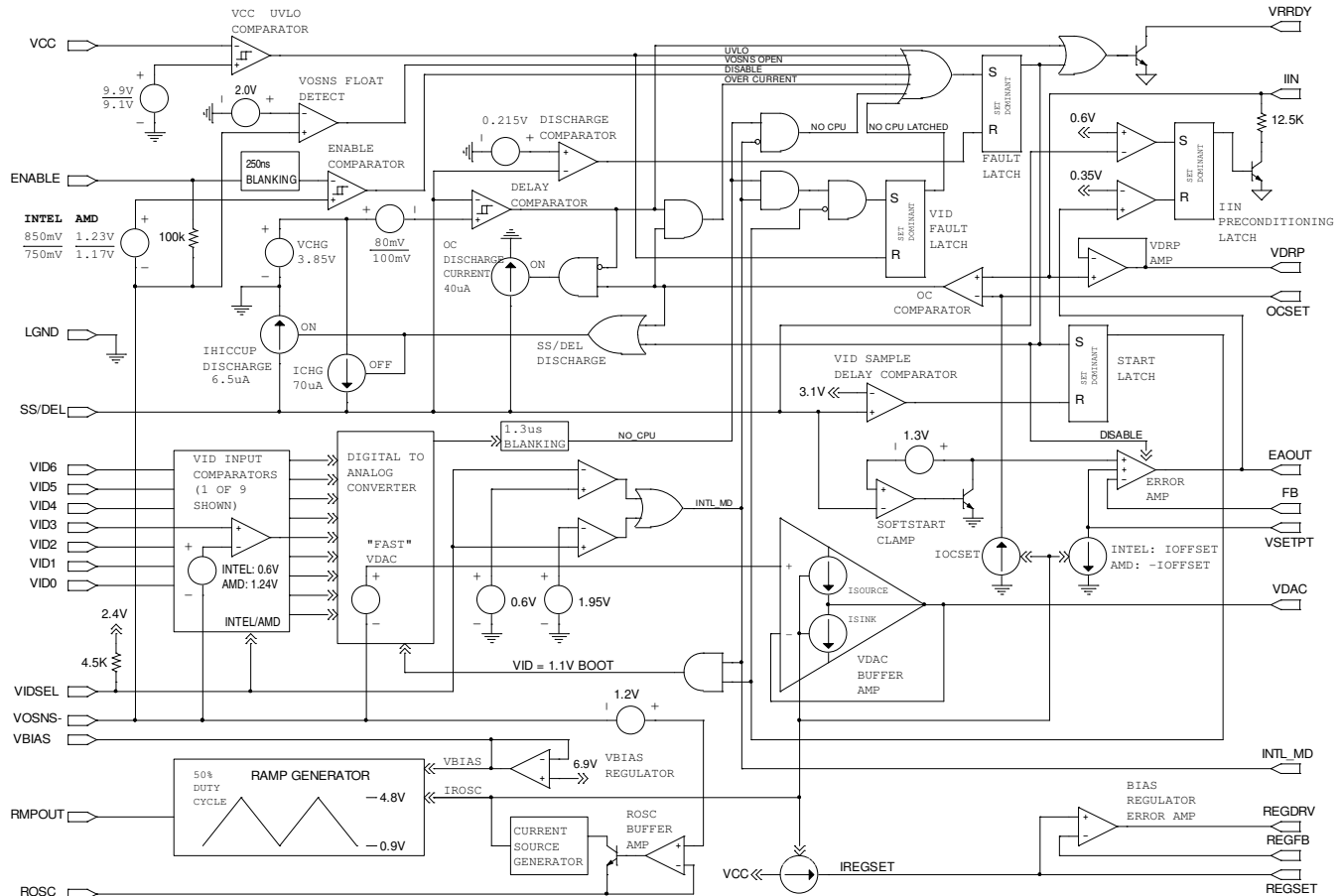


Figure 7 – IR3084U Block Diagram

VID Control

A 7-bit VID voltage compatible with VR10 (see Table 1) and VR11 (see Table 2) and Opteron/Athlon64 (see Table 3) is available at the VDAC pin. The VIDSEL pin configures the DAC for VR10 if grounded, VR11 if floating, and Opteron/Athlon64 if connected to GND via a 6.4K resistor. The VIDSEL pin is internally pulled-up to 2.4V through a 4.5Kohm resistor. The VID pins require an external bias voltage and should not be floated. The VID input comparators, with 0.6V reference for VR10/VR11 and 1.24V for Opteron/Athlon64, monitor the VID pins and control the 7-bit Digital-to-Analog Converter (DAC) whose output is sent to the VDAC buffer amplifier. The output of the buffer amp is the VDAC pin. The VDAC voltage is post-package trimmed to compensate for the input offsets of the Error Amp to provide a 0.5% system accuracy. The actual VDAC voltage does not represent the system set point and has a wider tolerance.

VID4	VID3	VID2	VID1	VID0	VID5	VID6	Voltage	VID4	VID3	VID2	VID1	VID0	VID5	VID6	Voltage
0	1	0	1	0	1	1	1.60000	1	1	0	1	0	1	1	1.20000
0	1	0	1	0	1	0	1.59375	1	1	0	1	0	1	0	1.19375
0	1	0	1	1	0	1	1.58750	1	1	0	1	1	0	1	1.18750
0	1	0	1	1	0	0	1.58125	1	1	0	1	1	0	0	1.18125
0	1	0	1	1	1	1	1.57500	1	1	0	1	1	1	1	1.17500
0	1	0	1	1	1	0	1.56875	1	1	0	1	1	1	0	1.16875
0	1	1	0	0	0	1	1.56250	1	1	1	0	0	0	1	1.16250
0	1	1	0	0	0	0	1.55625	1	1	1	0	0	0	0	1.15625
0	1	1	0	0	1	1	1.55000	1	1	1	0	0	1	1	1.15000
0	1	1	0	0	1	0	1.54375	1	1	1	0	0	1	0	1.14375
0	1	1	0	1	0	1	1.53750	1	1	1	0	1	0	1	1.13750
0	1	1	0	1	0	0	1.53125	1	1	1	0	1	0	0	1.13125
0	1	1	0	1	1	1	1.52500	1	1	1	0	1	1	1	1.12500
0	1	1	0	1	1	0	1.51875	1	1	1	0	1	1	0	1.11875
0	1	1	1	0	0	1	1.51250	1	1	1	1	0	0	1	1.11250
0	1	1	1	0	0	0	1.50625	1	1	1	1	0	0	0	1.10625
0	1	1	1	0	1	1	1.50000	1	1	1	1	0	1	1	1.10000
0	1	1	1	0	1	0	1.49375	1	1	1	1	0	1	0	1.09375
0	1	1	1	1	0	1	1.48750	1	1	1	1	1	0	1	FAULT
0	1	1	1	1	0	0	1.48125	1	1	1	1	1	0	0	FAULT
0	1	1	1	1	1	1	1.47500	1	1	1	1	1	1	1	FAULT
0	1	1	1	1	1	0	1.46875	1	1	1	1	1	1	0	FAULT
1	0	0	0	0	0	1	1.46250	0	0	0	0	0	0	0	1.08750
1	0	0	0	0	0	0	1.45625	0	0	0	0	0	0	0	1.08125
1	0	0	0	0	1	1	1.45000	0	0	0	0	0	1	1	1.07500
1	0	0	0	0	1	0	1.44375	0	0	0	0	0	1	0	1.06875
1	0	0	0	1	0	1	1.43750	0	0	0	0	1	0	1	1.06250
1	0	0	0	1	0	0	1.43125	0	0	0	0	1	0	0	1.05625
1	0	0	0	1	1	1	1.42500	0	0	0	0	1	1	1	1.05000
1	0	0	0	1	1	0	1.41875	0	0	0	0	1	1	0	1.04375
1	0	0	1	0	0	1	1.41250	0	0	0	1	0	0	1	1.03750
1	0	0	1	0	0	0	1.40625	0	0	0	1	0	0	0	1.03125
1	0	0	1	0	1	1	1.40000	0	0	0	1	0	1	1	1.02500
1	0	0	1	0	1	0	1.39375	0	0	0	1	0	1	0	1.01875
1	0	0	1	1	0	1	1.38750	0	0	0	1	1	0	1	1.01250
1	0	0	1	1	0	0	1.38125	0	0	0	1	1	0	0	1.00625
1	0	0	1	1	1	1	1.37500	0	0	0	1	1	1	1	1.00000
1	0	0	1	1	1	0	1.36875	0	0	0	1	1	1	0	0.99375
1	0	1	0	0	0	1	1.36250	0	0	1	0	0	0	1	0.98750
1	0	1	0	0	0	0	1.35625	0	0	1	0	0	0	0	0.98125
1	0	1	0	0	1	1	1.35000	0	0	1	0	0	1	1	0.97500
1	0	1	0	0	1	0	1.34375	0	0	1	0	0	1	0	0.96875
1	0	1	0	1	0	1	1.33750	0	0	1	0	1	0	1	0.96250
1	0	1	0	1	0	0	1.33125	0	0	1	0	1	0	0	0.95625
1	0	1	0	1	1	1	1.32500	0	0	1	0	1	1	1	0.95000
1	0	1	0	1	1	0	1.31875	0	0	1	0	1	1	0	0.94375
1	0	1	1	0	0	1	1.31250	0	0	1	1	0	0	1	0.93750
1	0	1	1	0	0	0	1.30625	0	0	1	1	0	0	0	0.93125
1	0	1	1	0	1	1	1.30000	0	0	1	1	0	1	1	0.92500
1	0	1	1	0	1	0	1.29375	0	0	1	1	0	1	0	0.91875
1	0	1	1	1	0	1	1.28750	0	0	1	1	1	0	1	0.91250
1	0	1	1	1	0	0	1.28125	0	0	1	1	1	0	0	0.90625
1	0	1	1	1	1	1	1.27500	0	0	1	1	1	1	1	0.90000
1	0	1	1	1	1	0	1.26875	0	0	1	1	1	1	0	0.89375
1	1	0	0	0	0	1	1.26250	0	1	0	0	0	0	1	0.88750
1	1	0	0	0	0	0	1.25625	0	1	0	0	0	0	0	0.88125
1	1	0	0	0	1	1	1.25000	0	1	0	0	0	1	1	0.87500
1	1	0	0	0	1	0	1.24375	0	1	0	0	0	1	0	0.86875
1	1	0	0	1	0	1	1.23750	0	1	0	0	1	0	1	0.86250
1	1	0	0	1	0	0	1.23125	0	1	0	0	1	0	0	0.85625
1	1	0	0	1	1	1	1.22500	0	1	0	0	1	1	1	0.85000
1	1	0	0	1	1	0	1.21875	0	1	0	0	1	1	0	0.84375
1	1	0	1	0	0	1	1.21250	0	1	0	1	0	0	1	0.83750
1	1	0	1	0	0	0	1.20625	0	1	0	1	0	0	0	0.83125

Table 1 – VR10 7-bit VID Table with 6.25mV Extension

Hex (VID7:VID0)	Dec (VID7:VID0)	Voltage
00	00000000	Fault
01	00000001	Fault
02	00000010	1.60000
03	00000011	1.59375
04	00000100	1.58750
05	00000101	1.58125
06	00000110	1.57500
07	00000111	1.56875
08	00001000	1.56250
09	00001001	1.55625
0A	00001010	1.55000
0B	00001011	1.54375
0C	00001100	1.53750
0D	00001101	1.53125
0E	00001110	1.52500
0F	00001111	1.51875
10	00010000	1.51250
11	00010001	1.50625
12	00010010	1.50000
13	00010011	1.49375
14	00010100	1.48750
15	00010101	1.48125
16	00010110	1.47500
17	00010111	1.46875
18	00011000	1.46250
19	00011001	1.45625
1A	00011010	1.45000
1B	00011011	1.44375
1C	00011100	1.43750
1D	00011101	1.43125
1E	00011110	1.42500
1F	00011111	1.41875
20	00100000	1.41250
21	00100001	1.40625
22	00100010	1.40000
23	00100011	1.39375
24	00100100	1.38750
25	00100101	1.38125
26	00100110	1.37500
27	00100111	1.36875
28	00101000	1.36250
29	00101001	1.35625
2A	00101010	1.35000
2B	00101011	1.34375
2C	00101100	1.33750
2D	00101101	1.33125
2E	00101110	1.32500
2F	00101111	1.31875
30	00110000	1.31250
31	00110001	1.30625
32	00110010	1.30000
33	00110011	1.29375
34	00110100	1.28750
35	00110101	1.28125
36	00110110	1.27500
37	00110111	1.26875
38	00111000	1.26250
39	00111001	1.25625
3A	00111010	1.25000
3B	00111011	1.24375
3C	00111100	1.23750
3D	00111101	1.23125
3E	00111110	1.22500
3F	00111111	1.21875

Hex (VID7:VID0)	Dec (VID7:VID0)	Voltage
40	01000000	1.21250
41	01000001	1.20625
42	01000010	1.20000
43	01000011	1.19375
44	01000100	1.18750
45	01000101	1.18125
46	01000110	1.17500
47	01000111	1.16875
48	01001000	1.16250
49	01001001	1.15625
4A	01001010	1.15000
4B	01001011	1.14375
4C	01001100	1.13750
4D	01001101	1.13125
4E	01001110	1.12500
4F	01001111	1.11875
50	01010000	1.11250
51	01010001	1.10625
52	01010010	1.10000
53	01010011	1.09375
54	01010100	1.08750
55	01010101	1.08125
56	01010110	1.07500
57	01010111	1.06875
58	01011000	1.06250
59	01011001	1.05625
5A	01011010	1.05000
5B	01011011	1.04375
5C	01011100	1.03750
5D	01011101	1.03125
5E	01011110	1.02500
5F	01011111	1.01875
60	01100000	1.01250
61	01100001	1.00625
62	01100010	1.00000
63	01100011	0.99375
64	01100100	0.98750
65	01100101	0.98125
66	01100110	0.97500
67	01100111	0.96875
68	01101000	0.96250
69	01101001	0.95625
6A	01101010	0.95000
6B	01101011	0.94375
6C	01101100	0.93750
6D	01101101	0.93125
6E	01101110	0.92500
6F	01101111	0.91875
70	01110000	0.91250
71	01110001	0.90625
72	01110010	0.90000
73	01110011	0.89375
74	01110100	0.88750
75	01110101	0.88125
76	01110110	0.87500
77	01110111	0.86875
78	01111000	0.86250
79	01111001	0.85625
7A	01111010	0.85000
7B	01111011	0.84375
7C	01111100	0.83750
7D	01111101	0.83125
7E	01111110	0.82500
7F	01111111	0.81875

Table 2 – VR11 7-bit VID Table

VID4	VID3	VID2	VID1	VID0	Vout (V)
0	0	0	0	0	1.550
0	0	0	0	1	1.525
0	0	0	1	0	1.500
0	0	0	1	1	1.475
0	0	1	0	0	1.450
0	0	1	0	1	1.425
0	0	1	1	0	1.400
0	0	1	1	1	1.375
0	1	0	0	0	1.350
0	1	0	0	1	1.325
0	1	0	1	0	1.300
0	1	0	1	1	1.275
0	1	1	0	0	1.250
0	1	1	0	1	1.225
0	1	1	1	0	1.200
0	1	1	1	1	1.175
1	0	0	0	0	1.150
1	0	0	0	1	1.125
1	0	0	1	0	1.100
1	0	0	1	1	1.075
1	0	1	0	0	1.050
1	0	1	0	1	1.025
1	0	1	1	0	1.000
1	0	1	1	1	0.975
1	1	0	0	0	0.950
1	1	0	0	1	0.925
1	1	0	1	0	0.900
1	1	0	1	1	0.875
1	1	1	0	0	0.850
1	1	1	0	1	0.825
1	1	1	1	0	0.800
1	1	1	1	1	OFF ⁴

Table 3 – Opteron 5-bit VID Table

Dynamic VID Operation

The IR3084U can accept changes in the VID code while operating and vary the DAC voltage accordingly. The sink/source capability of the VDAC buffer amp is programmed by the external resistor that sets the oscillator frequency (Rosc). The slew rate of the voltage at the VDAC pin can be adjusted by an external capacitor between VDAC pin and the VOSNS- pin. A resistor connected in series with this capacitor is required to compensate the VDAC buffer amplifier. Digital VID transitions result in a smooth analog transition of the VDAC voltage and converter output voltage minimizing inrush currents in the input and output capacitors and overshoot of the output voltage.

Adaptive Voltage Positioning (AVP)

Adaptive Voltage Positioning (AVP) is needed to reduce the total output voltage deviations during load transients and to reduce the power dissipation of the load when it is drawing high current. The circuitry related to the voltage positioning is shown in Figure 8.

Resistor RSETPT is connected between the VDAC pin and the VSETPT pin to set the desired amount of fixed offset voltage above or below the DAC voltage. The VSETPT pin is internally connected to both the non-inverting input of the voltage error amplifier and an internal current source, I_{OFFSET}. The magnitude of I_{OFFSET} is programmed by the external resistor that programs the oscillator frequency (Rosc) while the polarity of I_{OFFSET} is set by the VIDSEL pin. When the VR10 and VR11 DAC tables are selected, the polarity of I_{OFFSET} is positive (current flows into the pin). When the Opteron/Athlon64 DAC table is selected, the polarity of I_{OFFSET} is negative (current flow out of the pin). The voltage across RSETPT sets the no load offset voltage above or below the VDAC voltage.

The voltage at the VDRP pin is a buffered version of the current share bus (I_{in}) and represents the sum of the VDAC voltage and the average inductor current of all the phases. The VDRP pin should be connected to the FB pin through the resistor RDRP. Because the Error Amp will regulate the voltage at the FB pin equal to the voltage at the VSETPT pin, a current will flow from the VDRP pin to the FB pin equal to (VDRP - VSETPT) / RDRP. When the load current increases, the VDRP voltage will increase, additional current will flow through the feedback resistor RFB and the converter's output voltage will droop below the no load setpoint. The amount of voltage droop can be programmed by the resistor RDRP so the converter's output impedance meets the load-line specification set by the CPU manufacturer. The offset and slope of the converter's output impedance are referenced to VDAC and are therefore independent of the exact VDAC (VID) setting.

Due to the difference between VDAC and FB, the voltage at the VDRP pin causes additional offset voltage through RDRP and RFB. The total offset voltage is the sum of the voltage across RVSETPT and the voltage drop across the RFB resistor at no load.

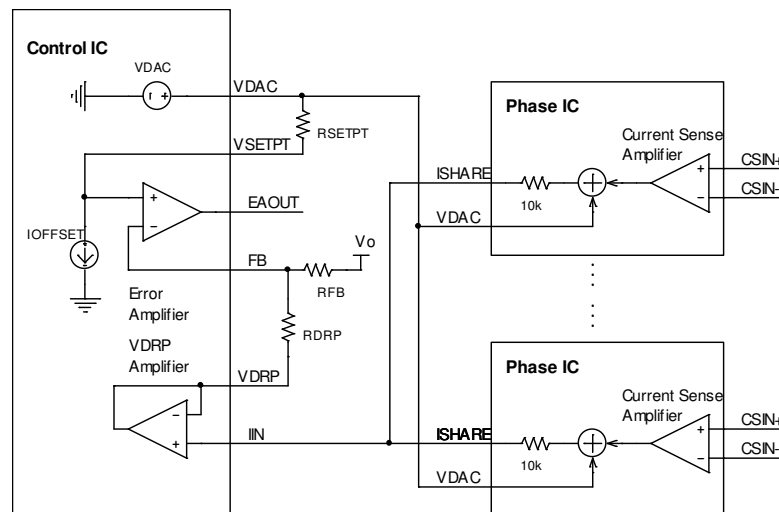


Figure 8 - Adaptive voltage positioning

Inductor DCR Temperature Correction

If the thermal compensation of the inductor DCR provided by the temperature dependent gain of the current sense amplifier is not adequate, a negative temperature coefficient (NTC) thermistor can be used for additional correction. The thermistor should be placed close to the inductor and connected in parallel with the feedback resistor, as shown in Figure 9. The resistor in series with the thermistor is used to reduce the nonlinearity of the thermistor.

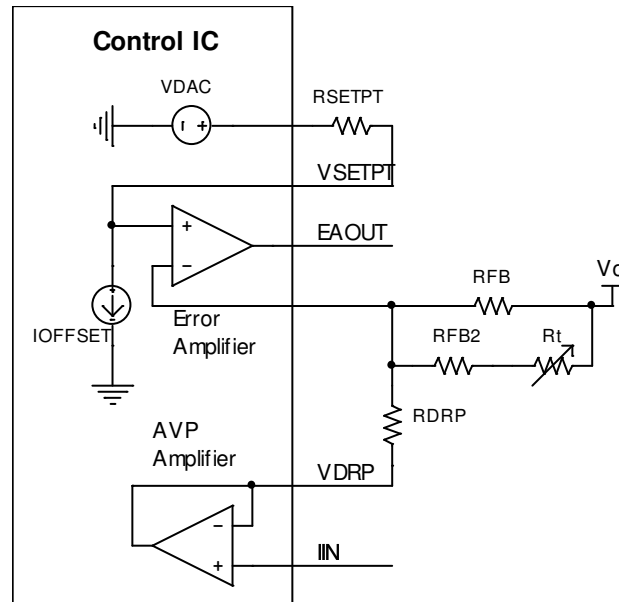


Figure 9 - Temperature compensation of inductor DCR

Remote Voltage Sensing

To compensate for impedance in the ground plane, the VOSNS- pin is used for remote ground sensing and connects directly to the load. The VDAC voltage is referenced to VOSNS- to avoid additional error terms or delays related to a separate differential amplifier. The capacitor connecting the VDAC and VOSNS- pins ensure that high speed transients are fed directly into the error amp without delay.

Start-up Modes

The IR3084U has a programmable soft-start function to limit the surge current during converter start-up. A capacitor connected between the SS/DEL and LGND pins controls soft start timing, over-current protection delay, and hiccup mode timing. A charge current of 70 μ A controls the positive slope of the voltage at the SS/DEL pin.

There are two types of start-up possible: VR11 and Opteron/Athlon64. In VR11 mode, the soft start circuitry will set the voltage at the VDAC pin to the 1.1V Boot voltage and the converter's output will slowly rise using the slew rate set by the capacitor at the SS/DEL pin until it's equal to the VDAC voltage. After Vcore reaches the 1.1V Boot voltage there will be a short delay, the VID pins will be sampled, and the voltage at the VDAC pin and the converter's output will increase or decrease to the desired VID setting using the dynamic VID slew rate. In Opteron/Athlon64 mode, the soft start sequence will ramp the voltage at the VDAC pin directly to the external VID setting using the slew rate set by the capacitor at the SS/DEL pin without pausing at the 1.1V Boot voltage.

Figure 10a depicts the start-up sequence without AVP in Boot mode – the VIDSEL pin is either grounded or floated. First, the VDAC pin is charged to the 1.1V Boot voltage. Then, if there are no fault conditions, the SS/DEL capacitor will begin to be charged. Initially, the error amplifier’s output will be clamped low until the voltage at the SS/DEL reaches 1.3V. After the voltage at the SS/DEL pin rises to 1.3V, the error amplifier’s output will begin to rise and the converter’s output voltage will be regulated 1.3V below the voltage at the SS/DEL pin. The converter’s output voltage will slowly ramp to the 1.1V Boot voltage. The SS/DEL voltage will continue to increase until it rises above the 3.10V threshold of the VID delay comparator. When the SS/DEL voltage exceeds 3.10V, the VID inputs will be sampled and the VDAC pin will transition to the level determined by the VID inputs at the dynamic VID slew rate. When the voltage on the SS/DEL pin rises above 3.77V the VRRDY Delay Comparator will allow the VRRDY signal to be asserted. SS/DEL will continue to rise until finally settling at 3.85V, indicating the end of the start-up sequence.

Figure 10b depicts the start-up sequence in Opteron/Athlon64 mode – VIDSEL is connected to GND via a 6.49K resistor. First, the external VID setting is sampled and the VDAC pin is set to the desired VID voltage. Then, if there are no fault conditions, the SS/DEL capacitor will begin to charge. Initially, the error amplifier’s output will be clamped low until the voltage at the SS/DEL rises to 1.3V. After the voltage at the SS/DEL pin reaches 1.3V, the error amplifier’s output will begin to rise and the converter’s output voltage will be regulated 1.3V below the voltage at the SS/DEL pin. As the voltage at the SS/DEL pin continues to rise, the converter’s output voltage will slowly increase until it is equal to the voltage at the VDAC pin. When the voltage on the SS/DEL pin rises above 3.77V the VRRDY Delay Comparator will allow the VRRDY signal to be asserted. SS/DEL will continue to rise until finally settling at 3.85V, indicating the end of the start-up sequence.

If AVP is used, the soft start timing will change slightly because of the resistor from the VDRP amplifier to the Error Amplifier’s FB pin. During startup with AVP, the VDRP amplifier will produce a voltage at the FB pin equal to VDAC times the resistor divider formed by the droop resistor and the feedback resistor from Vcore to the FB pin. To offset the contribution from the VDRP amplifier, the voltage at the SS/DEL pin will have to rise to beyond 1.3V before the Error Amplifier’s output and Vcore begin to rise. For a DAC setting of 1.3V with typical VR11 AVP, the Error Amplifier’s output will begin to rise when the voltage at the SS/DEL pin reaches approximately 1.8V. The effect of this offset will be to slightly lengthen the Start Delay (TD1) and shorten the Soft Start Ramp Time (TD2).

The following table summarizes the differences between the 3 modes associated with setting the VIDSEL pin. In addition to changing the soft start sequence, the NO_CPU code may or may not be ignored during startup and the NO_CPU code may or may not be latched.

VIDSEL Voltage	VID Table	1.1V Boot Voltage During Startup?	Ignore NO CPU Codes During Startup?	Latch NO CPU Fault Code?
GND (<0.6V)	VR10	YES	YES	YES
FLOAT (>1.8V)	VR11	YES	YES	YES
6.49K to GND (0.9V<VIDSEL<1.7V)	Opteron/Athlon64	NO	NO	NO

Table 4: Controller Functionality versus VIDSEL Voltages

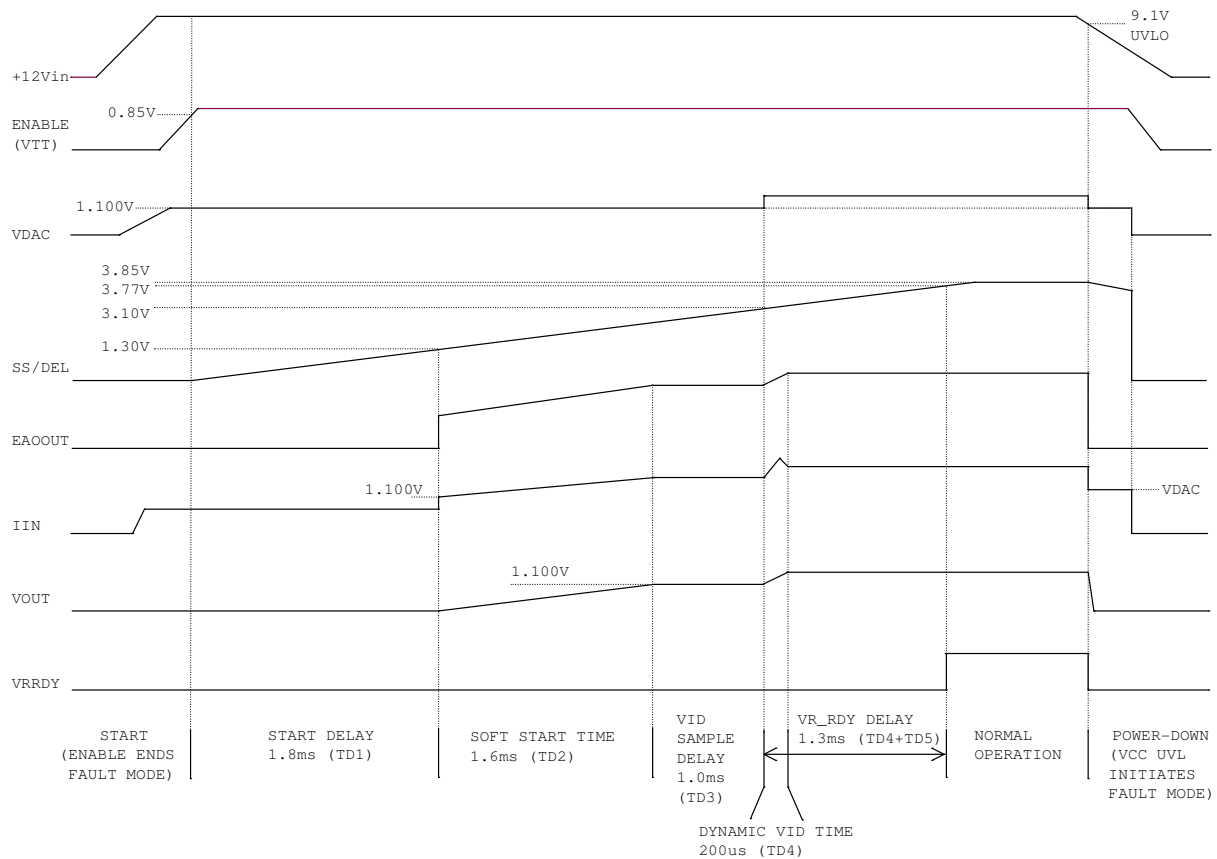


Figure 10a – Start-up Waveforms with Boot Mode (VID Setting > 1.1V)

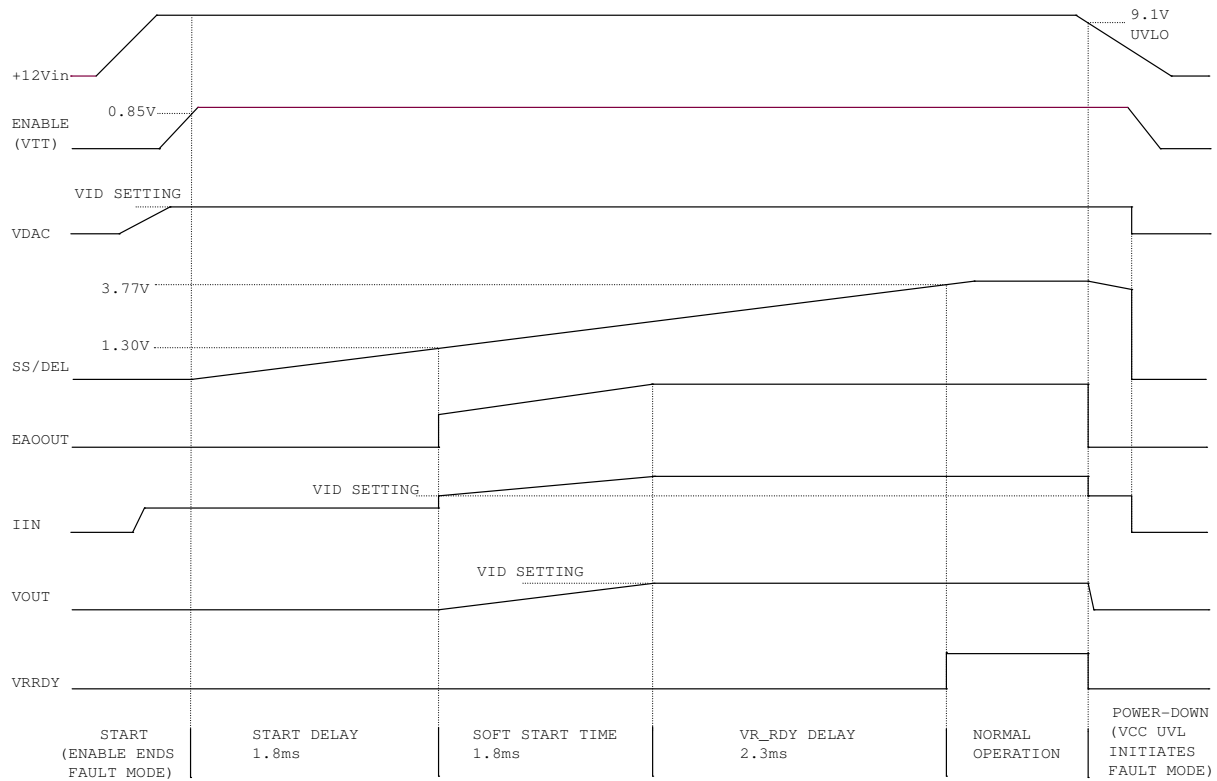


Figure 10b – Opteron/Athlon64 Start-up Waveforms (VID Setting=1.1V)

Fault Modes

Under Voltage Lock Out, VID = FAULT, as well as a low signal on the ENABLE input immediately sets the fault latch. This causes the EAOUT pin to drive low which turns off the Phase IC drivers. The VRRDY pin also drives low. The SS/DEL capacitor will discharge down to 0.215V through a 6.5µA current source. If the fault has cleared when SS/DEL falls to 0.215V then the fault latch will be reset by the discharge comparator allowing a normal start-up sequence to occur. If a VID = FAULT condition is latched it can only be cleared by cycling power to the IR3084U on and off.

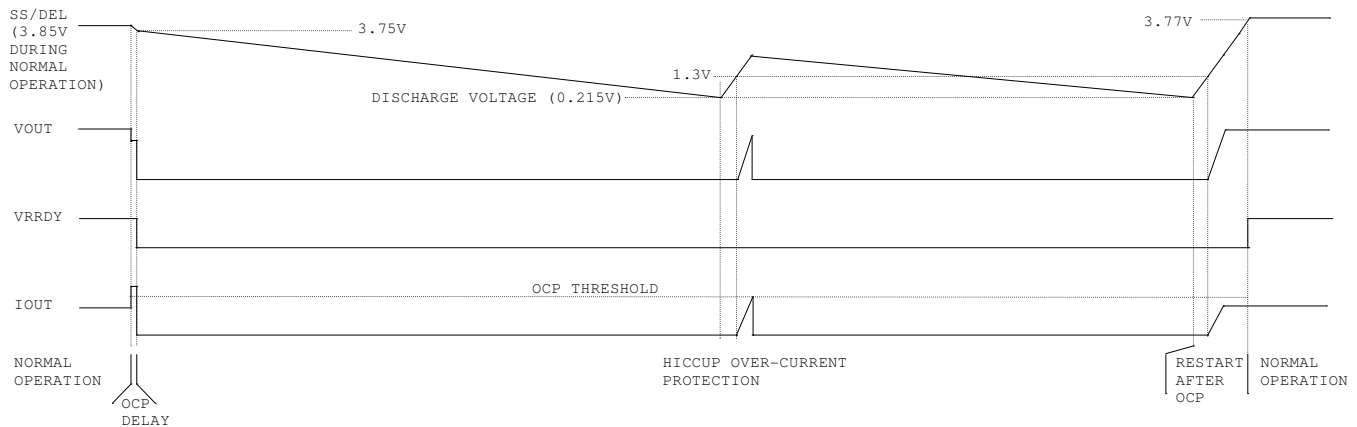


Figure 11 – Over-Current Protection Waveforms (VID = 1.1V for simplicity)

Over-Current Protection Delay and Hiccup Mode

Figure 11 depicts the operating waveforms of the Over Current Protection (OCP). A delay is included if an over-current condition occurs after a successful soft start sequence. This delay is required because over-current conditions can occur as part of normal operation due to load transients or VID transitions. If an over-current fault occurs during normal operation it will activate the over-current discharge current of 40µA but will not set the fault latch immediately. If the over-current condition persists long enough for the SS/DEL capacitor to discharge below the 100mV offset of the delay comparator, the Fault latch will be Set, the error amp's output will be pulled low, switching in the phase ICs will be inhibited, and the VRRDY signal will be de-asserted.

The SS/DEL capacitor will continue to discharge until it reaches 0.215V and the fault latch is Reset allowing a normal soft start to occur. If an over-current condition is again encountered during the soft start cycle the fault latch will be set without any delay and hiccup mode will begin. During hiccup mode the 11.2 to 1 charge to discharge current ratio results in a 9% hiccup mode duty cycle regardless of at what point the over-current condition occurs.

If the SS/DEL pin is pulled below 0.85V, the converter can be disabled.

Under Voltage Lockout (UVLO)

The UVLO function monitors the IR3084U's VCC supply pin and ensures that there is adequate voltage to safely power the internal circuitry. The IR3084U's UVLO is set higher than the minimum operating voltage of compatible Phase ICs thus providing UVLO protection for them as well. UVLO at the Phase ICs is a function of the Error Amplifier's output voltage. When the IR3084U is in UVLO, the Error Amplifier is disabled and EAOUT is at a very low voltage (<200mV) thus preventing the Phase ICs from becoming active.

During power-up the fault latch will be reset when VCC exceeds 9.9V and there are no other faults. If the VCC voltage drops below 9.1V the fault latch will be set.

Over Current Protection (OCP)

The current limit threshold is set by a resistor connected between the OCSET and VDAC pins. If the IIN pin voltage, which is proportional to the average phase current plus DAC voltage, exceeds the OCSET voltage, the over-current protection is triggered.

VID = Fault Code (NO_CPU)

When VIDSEL is grounded or left floating, NO_CPU VID codes of 11111XX for VR10 and 0000000X, 1111111X for VR11 will set both the VID Fault Latch and the Fault Latch to disable the error amplifier. The controller will be latched OFF and a power-on reset (POR) must be performed to produce a new soft start sequence. In these 2 modes, the NO_CPU codes are ignored during startup. See Table 1 for further details.

When VIDSEL is connected to GND via a 6.49K resistor, NO_CPU VID codes of 11111 will set the Fault Latch to disable the error amplifier but the VID Fault Latch will not be set. The controller will not be latched OFF and a soft start sequence will be produced when the NO_CPU code is removed and the SS/DEL voltage falls below 0.215V. In Opteron/Athlon64 mode, the NO_CPU codes are not ignored during startup. See Table 1 for further details.

A 1.3μs delay is provided to prevent a NO_CPU fault condition from occurring during Dynamic VID changes.

VR_RDY (Power Good) Output

The VRRDY pin is an open-collector output and should be pulled up to a voltage source through a resistor. During soft start, the VRRDY remains low until the output voltage is in regulation and SS/DEL is above 3.77V. The VRRDY pin becomes low if the fault latch is set. A high level at the VRRDY pin indicates that the converter is in operation and has no fault, but does not ensure the output voltage is within the specification. Output voltage regulation within the design limits can logically be assured however, assuming no component failure in the system.

Load Current Indicator Output

The VDRP pin voltage represents the average phase current of the converter plus the DAC voltage. The load current can be retrieved by subtracting the VDAC voltage from the VDRP voltage.

System Reference Voltage (VBIAS)

The IR3084U supplies a 6.8V/6mA precision reference voltage from the VBIAS pin. The oscillator ramp trip points are based on the VBIAS voltage so it should be used to program the Phase ICs phase delay to minimize phase errors.

Phase IC Gate Driver Bias Regulator / VRHOT Comparator

An internal amplifier can be configured as a gate driver bias regulator to provide programmable gate driver voltage for phase ICs (Figure 12a), or a thermal monitor to provide VRHOT/VRFAN signal as required in VR11 (Figure 12b).

The internal current source IREGSET whose value is programmed by the switching frequency going through the external RSET resistor sets the gate driver voltage or the VRHOT/VRFAN threshold voltage. An NTC thermistor is used to monitor the temperature on the VRM/VRD.

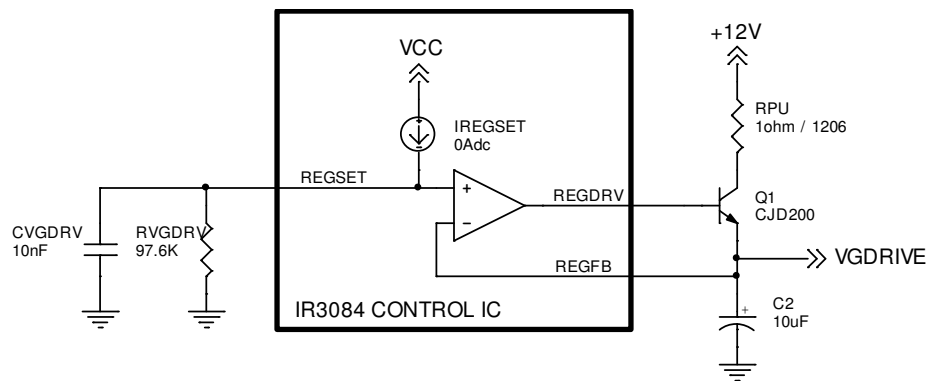


Figure 12a – IR3084U Bias Regulator configured for Gate Driver Bias Regulator

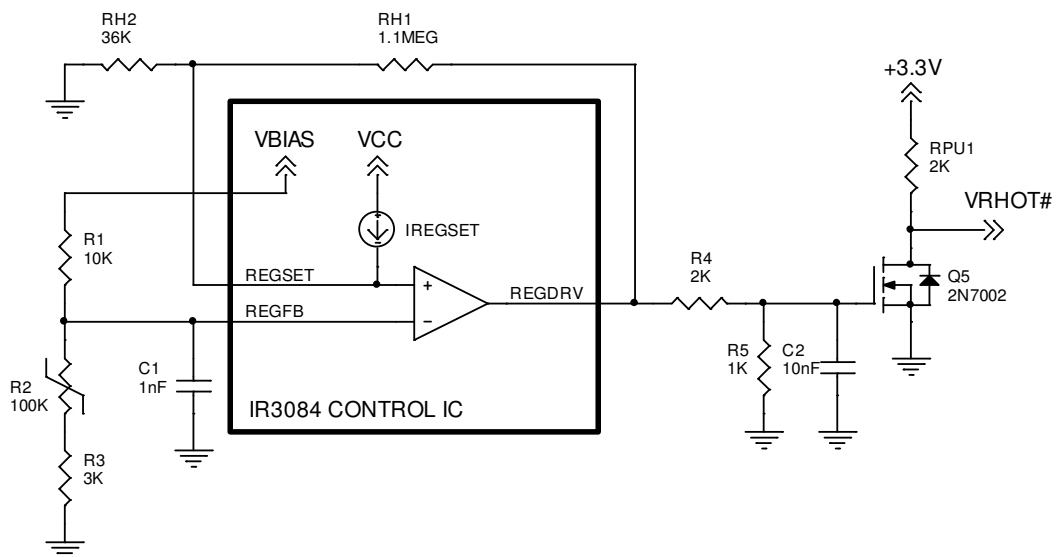


Figure 12b – IR3084U Bias Regulator configured for VRHOT/VRFAN function

PERFORMANCE CHARACTERISTICS

Figure 13: Oscillator Frequency versus ROsc

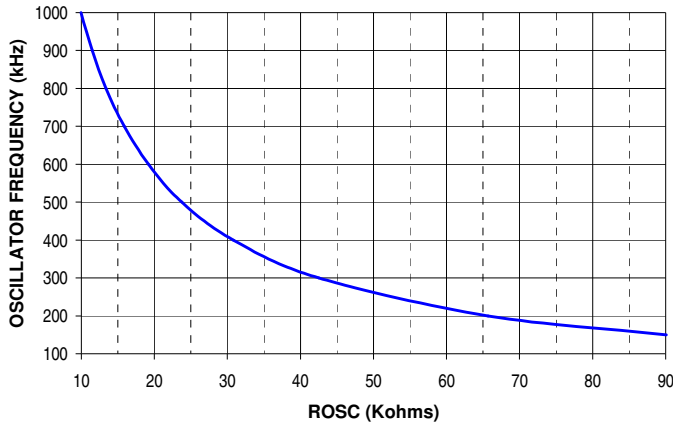


Figure 14: I(OCSET) versus ROsc

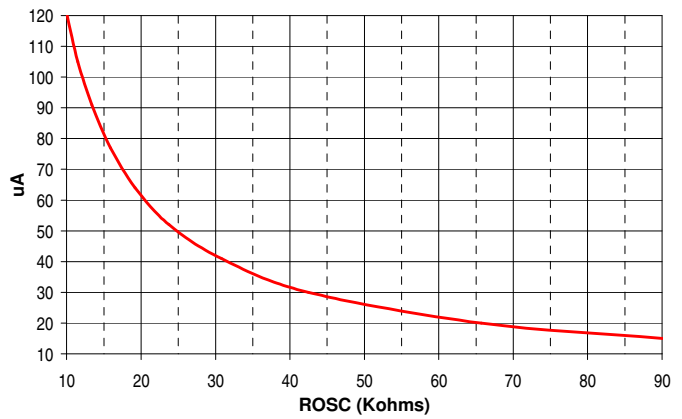


Figure 15: I(VSETPT) versus ROsc

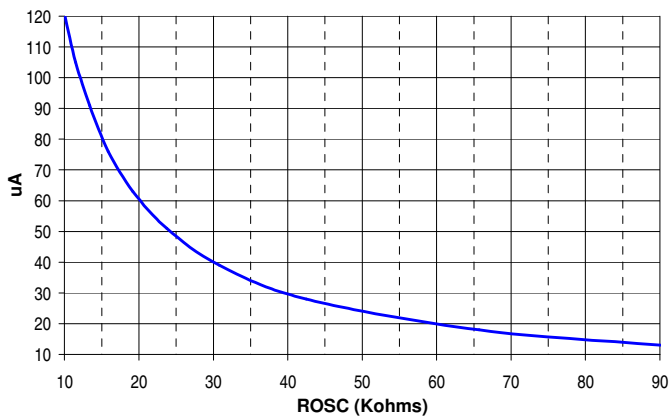


Figure 16: I(REGSET) CURRENT versus ROsc

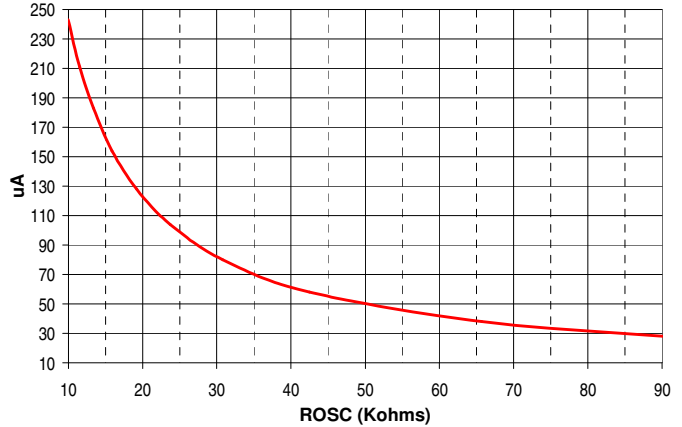


Figure 17: VDACC SINK & SOURCE CURRENT vs. ROsc

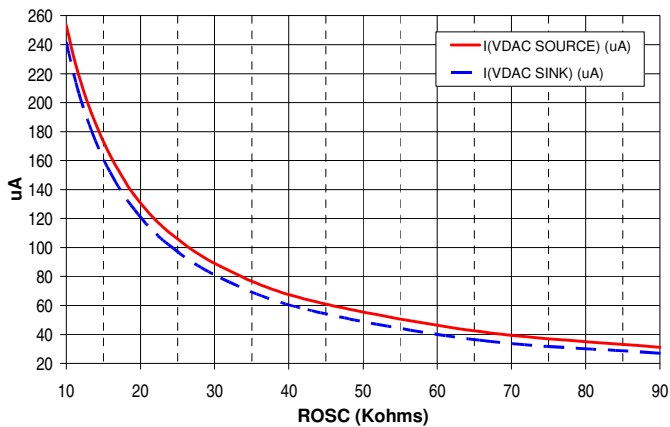
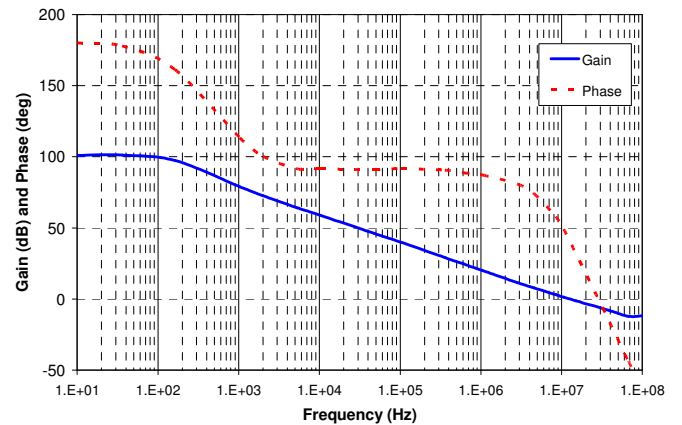


Figure 18: IR3084 Error Amplifier Bode Plot



APPLICATIONS INFORMATION

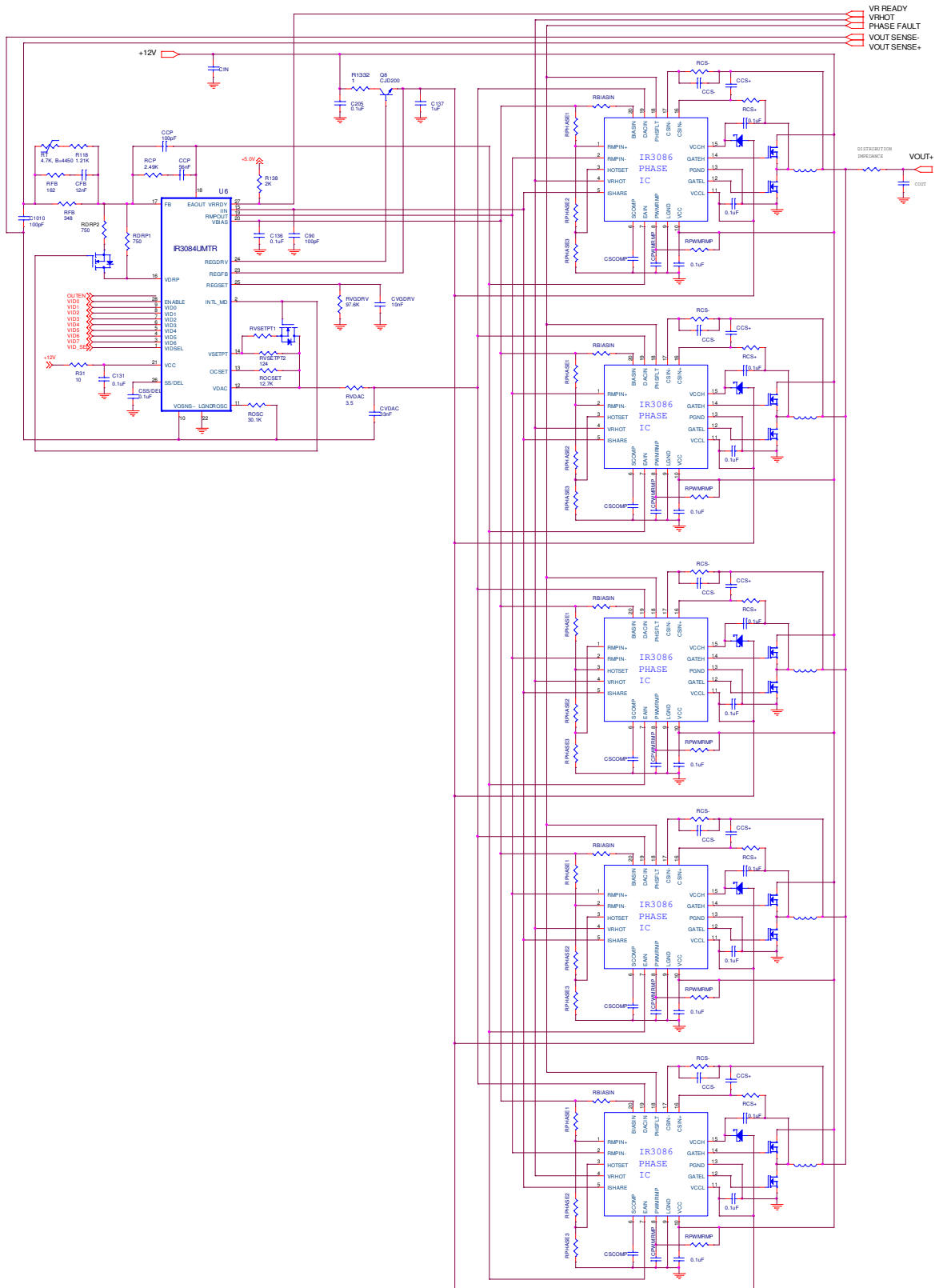


Figure 19 – IR3084U/3086 5 Phase VRM/EVRD 11 Converter

DESIGN PROCEDURES – IR3084U and IR3086 Chipset

IR3084U EXTERNAL COMPONENTS

Oscillator Resistor R_{OSC}

The oscillator of IR3084 generates a triangle waveform to synchronize the phase ICs, and the switching frequency of the each phase converter equals the oscillator frequency, which is set by the external resistor R_{OSC} according to the curve in Figure 13 on page

VDAC Slew Rate Programming Capacitor C_{VDAC} and Resistor R_{VDAC}

The sink and source currents of the VDAC pin are set by the value of R_{OSC} . The sink current capability of the VDAC pin is slightly less than the source current. Therefore, the VDAC sink current (I_{SINK}) should be used to calculate C_{VDAC} to insure that the dynamic VID slew rate when V_{core} decreases is not too slow.

The negative slew rate of VDAC (SR_{DOWN}) is programmed by the external capacitor C_{VDAC} as shown in Equation (1). The resistor R_{VDAC} is used to compensate/stabilize the VDAC circuit and is determined by Equation (2). The positive slew rate of the VDAC voltage (SR_{UP}) is proportional to the negative slew rate of VDAC and can be calculated using Equation (3).

$$C_{VDAC} = \frac{I_{SINK}}{SR_{DOWN}} \quad (1)$$

Where: I_{SINK} is the sink current of the VDAC pin at the chosen value of R_{OSC} as shown in Figure 17 on page 25.

$$R_{VDAC} = 0.5\Omega + \frac{3.2 * 10^{-15}}{C_{VDAC}^2} \quad (2)$$

$$SR_{UP} = \frac{I_{SOURCE}}{C_{VDAC}} \quad (3)$$

Where: I_{SOURCE} is the source current of the VDAC pin at the chosen value of R_{OSC} as shown in Figure 17 on page 25.

The VID voltage rise or fall time during startup with Boot Mode (TD4) can be calculated using either Equation (4a) or (4b).

$$TD4 = \frac{C_{VDAC}}{I_{SOURCE}} * (VDAC - 1.1V) \quad \text{if } VDAC > 1.1V \quad (4a)$$

$$TD4 = \frac{C_{VDAC}}{I_{SINK}} * (1.1V - VDAC) \quad \text{if } VDAC < 1.1V \quad (4b)$$

Where: VDAC is the DAC voltage set by the VID pins.
 I_{SOURCE} and I_{SINK} are the source and sink currents of the VDAC pin.
 If Boot Mode is not used then $TD4 = 0$.

No Load Output Voltage Setting Resistor RVSETPT, Feedback Resistor RFB, and AVP Resistor RDRP

An external resistor, R_{VSETPT} , connected between the VDAC pin and the VSETPT pin is used to set the no load output voltage offset, V_{O_NLOFST} , which is the difference between the VDAC voltage and output voltage at no load. However, the converter's output voltage will be set by the combination of VSETPT plus some contribution from the VDRP pin. At no load, both pins of the Error Amplifier are at VDAC – VSETPT while the VDRP pin is at VDAC + $V_{CS_OFST} \cdot G_{CSA}$ (V_{CS_OFST} and G_{CSA} are the input offset and gain of the current sense amplifiers). Because the VDRP pin is at a higher voltage than the FB pin of the Error Amplifier, VDRP will contribute to the no load offset through the RDRP and RFB resistors. The design approach is to choose a value for the feedback resistor, RFB, from 100 to 2K and then calculate RDRP and R_{VSETPT} to provide the required no load offset voltage.

$$VSETPT = \frac{A * D - C * B}{(A + B - C - D)} \quad (5)$$

$$A = \frac{I_O * R_L * G_{CSA}}{n} + V_{CS_TOFST} * G_{CSA} \quad C = V_{CS_TOFST} * G_{CSA}$$

$$B = V_{O_NLOFST} + I_O * R_o \quad D = V_{O_NLOFST}$$

Where:

- I_O is the full load output current of the converter
- R_L is the DCR of the output inductor
- G_{CSA} is the gain of the current sense amplifiers
- n is the number of phases
- V_{O_NLOFST} is the no load offset voltage below the DAC setting,
a positive number for VR10 and VR11, a negative number for AMD
- R_o is the desired load line slope (ohms)
- V_{CS_TOFST} is the total offset voltage of the current sense amplifiers, see below.

The **total** input offset voltage (V_{CS_TOFST}) of the current sense amplifier in the phase IC is the sum of input offset (V_{CS_OFST}) of the amplifier itself plus that created by the amplifier input bias currents flowing through the current sense resistors R_{CS+} and R_{CS-} as shown in Equation (6).

$$V_{CS_TOFST} = V_{CS_OFST} + (I_{CSIN+} * R_{CS+}) - (I_{CSIN-} * R_{CS-}) \quad (6)$$

Finally, calculate the no-load setpoint resistor using Equation (7) and the droop resistor using Equation (8);

$$RVSETPT = \frac{VSETPT}{I_{VSETPT}} \quad (7)$$

Where:

- I_{VSETPT} is the current into the VSETPT pin at the switching frequency,
which is a function of R_{OSC} . See Figure 15 on page 25.
- VSETPT is calculated by Equation (5).

$$RDRP = RFB * \frac{VSETPT + C}{D - VSETPT} \quad (8)$$

Soft Start Capacitor $C_{SS/DEL}$ and Resistor $R_{SS/DEL}$

Because the capacitor $C_{SS/DEL}$ programs three different time parameters, i.e. soft start time, over current latch delay time, and the frequency of hiccup mode, they should be considered together while choosing $C_{SS/DEL}$.

The soft-start ramp time (TD2) is the time required for the converter's output voltage to rise from 0V to the DAC voltage (VDAC). Given a desired soft-start ramp time (TD2) and the soft-start charge current (I_{CHG}) from the data sheet, the value of the external capacitor ($C_{SS/DEL}$) can be calculated using Equation (9).

$$C_{SS/DEL} = \frac{I_{CHG} * TD2}{VDAC * \left(1 - \frac{R_{FB}}{R_{FB} + R_{DRP}}\right)} = \frac{70 * 10^{-6} * TD2}{VDAC * \left(1 - \frac{R_{FB}}{R_{FB} + R_{DRP}}\right)} \quad (9)$$

Where: $VDAC = 1.1V$ in Boot Mode or the DAC voltage set by the VID pins without Boot Mode.
 R_{FB} is the resistor from Vcore to the FB pin of the controller.
 R_{DRP} is the resistor from VDRP to FB.
 If droop is not used, set the second term within the parenthesis to zero ($R_{DRP} = \infty$).

Once $C_{SS/DEL}$ is determined, the soft start delay time TD1, the VID sample time TD3, the VRRDY delay time TD5, and the over-current fault latch delay time T_{OCDEL} are determined and can be calculated using Equations (10), (11), (12), and (13) respectively.

$$TD1 = \frac{C_{SS/DEL}}{I_{CHG}} * \left(1.3V + VDAC * \frac{R_{FB}}{R_{FB} + R_{DRP}}\right) \quad (10)$$

Where: $VDAC = 1.1V$ in Boot Mode or the DAC voltage set by the VID pins without Boot Mode.
 I_{CHG} is the soft-start charge current, nominally $70\mu A$.
 R_{FB} is the resistor from Vcore to the FB pin of the controller.
 R_{DRP} is the resistor from VDRP to FB.
 If droop is not used, set the second term within the parenthesis to zero ($R_{DRP} = \infty$).

$$TD3 = \frac{C_{SS/DEL}}{I_{CHG}} * (3.1V - 1.3V - 1.1V) = \frac{C_{SS/DEL}}{70 * 10^{-6}} * 0.7V \quad (11)$$

If Boot Mode is not used, then TD3 is zero.

$$TD5 = \frac{C_{SS/DEL} * (3.85V - 3.1V)}{I_{CHG}} - TD4 = \frac{C_{SS/DEL} * 0.75V}{70 * 10^{-6}} - TD4 \quad (12)$$

Where: TD4 is the VID voltage rise time calculated from Equation 4.

$$T_{OCDEL} = \frac{C_{SS/DEL} * 100mV}{I_{OC_DISCHG}} = \frac{C_{SS/DEL} * 100mV}{40 * 10^{-6}} \quad (13)$$

Where: I_{OC_DISCHG} is the over-current discharge current of the SS/DEL pin from the data sheet.

Over Current Setting Resistor R_{OCSET}

The inductor DC resistance is utilized to sense the inductor current. The copper wire of the inductor has a constant temperature coefficient of 3850 PPM, and therefore the maximum inductor DCR can be calculated from Equation (14), where R_{L_MAX} and R_{L_ROOM} are the inductor DCR at maximum temperature T_{L_MAX} and room temperature T_{ROOM} respectively.

$$R_{L_MAX} = R_{L_ROOM} * [1 + 3850 * 10^{-6} * (T_{L_MAX} - T_{ROOM})] \quad (14)$$

The current sense amplifier gain of the IR3086A decreases with temperature at the rate of 1470 PPM, which compensates part of the inductor DCR increase. The phase IC die temperature is only a couple of degrees Celsius higher than the PCB temperature due to the low thermal impedance of MLPQ package. The minimum current sense amplifier gain at the maximum phase IC temperature T_{IC_MAX} is calculated from Equation (15).

$$G_{CS_MIN} = G_{CS_ROOM} * [1 - 1470 * 10^{-6} * (T_{IC_MAX} - T_{ROOM})] \quad (15)$$

The over-current limit is set by the external resistor R_{OCSET} as defined in Equation (16), where I_{LIMIT} is the required over current limit. I_{OCSET} , the bias current of the OCSET pin, changes with switching frequency setting resistor R_{OSC} and is determined by the curve in Figure 14 on page 25. K_P is the ratio of inductor peak current to average current in each phase and is calculated from Equation (17).

$$R_{OCSET} = \left[\frac{I_{LIMIT}}{n} * R_{L_MAX} * (1 + K_P) + V_{CS_TOFST} \right] * \frac{G_{CS_MIN}}{I_{OCSET}} \quad (16)$$

$$K_P = \frac{(V_I - V_{O_FL}) * V_{O_FL} / (L * V_I * f_{SW} * 2)}{I_{LIMIT} / n} \quad (17)$$

Where: V_I is the input voltage to the converter (nominally 12V).
 V_{O_FL} is the output voltage of the converter with droop at the over-current threshold.
 L is the value of the output inductors.
 f_{SW} is the switching frequency.
 I_{LIMIT} is the DC output current of the converter when the over-current fault occurs.
 n is the number of phases.

IR3086 EXTERNAL COMPONENTS

PWM Ramp Resistor R_{PWMRMP} and Capacitor C_{PWMRMP}

PWM ramp is generated by connecting the resistor R_{PWMRMP} between a voltage source and $PWMRMP$ pin as well as the capacitor C_{PWMRMP} between $PWMRMP$ and LGND. Choose the desired PWM ramp magnitude V_{RAMP} and the capacitor C_{PWMRMP} in the range of 100pF and 470pF, and then calculate the resistor R_{PWMRMP} from Equation (18). To achieve feed-forward voltage mode control, the resistor R_{RAMP} should be connected to the input of the converter.

$$R_{PWMRMP} = \frac{V_O}{V_{IN} * f_{SW} * C_{PWMRMP} * [\ln(V_{IN} - V_{DAC}) - \ln(V_{IN} - V_{DAC} - V_{PWMRMP})]} \quad (18)$$

Inductor Current Sensing Capacitor C_{CS+} and Resistors R_{CS+} and R_{CS-}

The DC resistance of the inductor is utilized to sense the inductor current. Usually the resistor R_{CS+} and capacitor C_{CS+} in parallel with the inductor are chosen to match the time constant of the inductor, and therefore the voltage across the capacitor C_{CS+} represents the inductor current. If the two time constants are not the same, the AC component of the capacitor voltage is different from that of the real inductor current. The time constant mismatch does not affect the average current sharing among the multiple phases, but affect the current signal $ISHARE$ as well as the output voltage during the load current transient if adaptive voltage positioning is adopted.

Measure the inductance L and the inductor DC resistance R_L . Pre-select the capacitor C_{CS+} and calculate R_{CS+} as follows.

$$R_{CS+} = \frac{L/R_L}{C_{CS+}} \quad (19)$$

The bias current flowing out of the non-inverting input of the current sense amplifier creates a voltage drop across R_{CS+} , which is equivalent to an input offset voltage of the current sense amplifier. The offset affects the accuracy of converter current signal $ISHARE$ as well as the accuracy of the converter output voltage if adaptive voltage positioning is adopted. To reduce the offset voltage, a resistor R_{CS-} should be added between the amplifier inverting input and the converter output. The resistor R_{CS-} is determined by the ratio of the bias current from the non-inverting input and the bias current from the inverting input.

$$R_{CS-} = \frac{I_{CSIN+}}{I_{CSIN-}} * R_{CS+} \quad (20)$$

If R_{CS-} is not used, R_{CS+} should be chosen so that the offset voltage is small enough. Usually R_{CS+} should be less than 2 k Ω and therefore a larger C_{CS+} value is needed.

Over Temperature Setting Resistors $R_{HOTSET1}$ and $R_{HOTSET2}$

The threshold voltage of VRHOT comparator is proportional to the die temperature T_J (°C) of phase IC. Determine the relationship between the die temperature of phase IC and the temperature of the power converter according to the power loss, PCB layout and airflow etc, and then calculate HOTSET threshold voltage corresponding to the allowed maximum temperature from Equation (21).

$$V_{HOTSET} = 4.73 * 10^{-3} * T_J + 1.241 \quad (21)$$

There are two ways to set the over temperature threshold, central setting and local setting. In the central setting, only one resistor divider is used, and the setting voltage is connected to HOTSET pins of all the phase ICs. To reduce the influence of noise on the accuracy of over temperature setting, a 0.1uF capacitor should be placed next to HOTSET pin of each phase IC. In the local setting, a resistor divider per phase is needed, and the setting voltage is connected to HOTSET pin of each phase. The 0.1uF decoupling capacitor is not necessary. Use VBIAS as the reference voltage. If $R_{HOTSET1}$ is pre-selected, $R_{HOTSET2}$ can be calculated as follows.

$$R_{HOTSET2} = \frac{R_{HOTSET1} * V_{HOTSET}}{V_{BIAS} - V_{HOTSET}} \quad (22)$$

Phase Delay Timing Resistors R_{PHASE1} and R_{PHASE2}

The phase delay of the interleaved multiphase converter is programmed by the resistor divider connected at RMPIN+ or RMPIN- depending on which slope of the oscillator ramp is used for the phase delay programming of phase IC, as shown in Figure 4.

If the positive slope is used, RMPIN+ pin of the phase IC should be connected to RMPOUT pin of the control IC and RMPIN- pin should be connected to the resistor divider. When RMPOUT voltage is above the trip voltage at RMPIN- pin, the PWM latch is set. GATEL becomes low, and GATEH becomes high after the non-overlap time.

If the negative slope is used, RMPIN- pin of the phase IC should be connected to RMPOUT pin of the control IC and RMPIN+ pin should be connected to the resistor divider. When RMPOUT voltage is below the trip voltage at RMPIN- pin, the PWM latch is set. GATEL becomes low, and GATEH becomes high after the non-overlap time.

It is best to use the VBIAS voltage as the reference for the resistor dividers because the oscillator ramp magnitude from the control IC will track the VBIAS voltage. It is best to avoid the peak and valley of the oscillator ramp for better noise immunity. Determine the ratio of the programming resistors corresponding to the desired switching frequencies and phase numbers. If the resistor $R_{PHASEx1}$ is pre-selected, the resistor $R_{PHASEx2}$ is determined as:

$$R_{PHASEx2} = \frac{RA_{PHASEx} * R_{PHASEx1}}{1 - RA_{PHASEx}} \quad (23)$$

Combining the Over Temperature and Phase Delay Setting Resistors R_{PHASE1} , R_{PHASE2} and R_{PHASE3}

The over temperature setting resistor divider can be combined with the phase delay resistor divider to save one resistor per phase.

Calculate the HOTSET threshold voltage V_{HOTSET} corresponding to the allowed maximum temperature from Equation (20). If the over temperature setting voltage is lower than the phase delay setting voltage, $V_{BIAS} * R_{PHASEx}$, connect RMPIN+ or RMPIN- pin between $R_{PHASEx1}$ and $R_{PHASEx2}$ and connect HOTSET pin between $R_{PHASEx2}$ and $R_{PHASEx3}$ respectively. Pre-select $R_{PHASEx1}$, then calculate $R_{PHASEx2}$ and $R_{PHASEx3}$,

$$R_{PHASEx2} = \frac{(R_{PHASEx} * V_{BIAS} - V_{HOTSET}) * R_{PHASEx1}}{V_{BIAS} * (1 - R_{PHASEx})} \quad (24)$$

$$R_{PHASEx3} = \frac{V_{HOTSET} * R_{PHASEx1}}{V_{BIAS} * (1 - R_{PHASEx})} \quad (25)$$

If the over temperature setting voltage is higher than the phase delay setting voltage, $V_{BIAS} * R_{PHASEx}$, connect HOTSET pin between $R_{PHASEx1}$ and $R_{PHASEx2}$ and connect RMPIN+ or RMPIN- between $R_{PHASEx2}$ and $R_{PHASEx3}$ respectively. Pre-select $R_{PHASEx1}$,

$$R_{PHASEx2} = \frac{(V_{HOTSET} - R_{PHASEx} * V_{BIAS}) * R_{PHASEx1}}{V_{BIAS} - V_{HOTSET}} \quad (26)$$

$$R_{PHASEx3} = \frac{R_{PHASEx} * V_{BIAS} * R_{PHASEx1}}{V_{BIAS} - V_{HOTSET}} \quad (27)$$

Bootstrap Capacitor $CBST$

Depending on the duty cycle and gate drive current of the phase IC, a 0.1uF to 1uF capacitor is needed for the bootstrap circuit.

Decoupling Capacitors for Phase IC

0.1uF–1uF decoupling capacitors are required at VCC and VCCL pins of phase ICs.

VOLTAGE LOOP COMPENSATION

The adaptive voltage positioning is used in the computer applications to meet the load line requirements. Like current mode control, the adaptive voltage positioning loop introduces extra zero to the voltage loop and splits the double poles of the power stage, which make the voltage loop compensation much easier.

Resistors RFB and RDRP are chosen according to Equations (15) and (16), and the selection of compensation type depends on the capacitors used. For the applications using Electrolytic, Polymer or AL-Polymer capacitors, Type II compensation shown in Figure 20 (a) is usually adequate. While for the applications with only ceramic capacitors, Type III compensation shown in Figure 20 (b) is preferred.

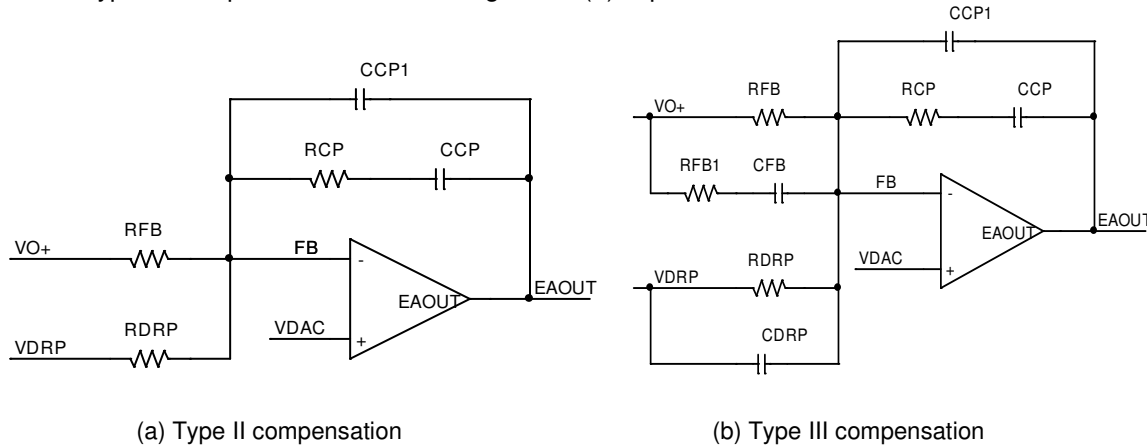


Figure 20: Voltage Loop Compensation Networks

Type II Compensation

Determine the compensation at no load, the worst case condition. Choose the crossover frequency f_c between 1/10 and 1/5 of the switching frequency per phase. Assume the time constant of the resistor and capacitor across the output inductors matches that of the inductor, RCP and CCP can be determined by Equations (28) and (29).

$$R_{CP} = \frac{(2\pi * f_c)^2 * L_E * C_E * R_{FB} * V_{PWMRMP}}{V_O * \sqrt{1 + (2\pi * f_c * C_E * R_{CE})^2}} \quad (28)$$

$$C_{CP} = \frac{10 * \sqrt{L_E * C_E}}{R_{CP}} \quad (29)$$

Where L_E and R_{CE} are the equivalent output inductance and ESR of the output capacitors, respectively. CCP1 is optional and may be needed in some applications to reduce the jitter caused by the high frequency noise. A ceramic capacitor between 10pF and 220pF is usually enough.

Type III Compensation

Determine the compensation at no load, the worst case condition. Choose the crossover frequency f_c between 1/10 and 1/5 of the switching frequency per phase. Assume the time constant of the resistor and capacitor across the output inductors matches that of the inductor, R_{CP} and C_{CP} can be determined by Equations (30) and (31), where C_E is equivalent output capacitance.

$$R_{CP} = \frac{(2\pi * f_c)^2 * L_E * C_E * V_{PWMRMP}}{V_o} \quad (30)$$

$$C_{CP} = \frac{10 * \sqrt{L_E * C_E}}{R_{CP}} \quad (31)$$

Choose resistor R_{FB1} according to Equation (33), and determine C_{FB} and R_{DRP} from Equations (32) and (33).

$$R_{FBI} = \frac{1}{2} * R_{FB} \quad \text{to} \quad R_{FBI} = \frac{2}{3} * R_{FB} \quad (32)$$

$$C_{FB} = \frac{1}{4\pi * f_{CI} * R_{FBI}} \quad (33)$$

C_{CP1} is optional and may be needed in some applications to reduce the jitter caused by the high frequency noise. A ceramic capacitor between 10pF and 220pF is usually enough.

CURRENT SHARE LOOP COMPENSATION

The crossover frequency of the current share loop should be at least one decade lower than that of the voltage loop in order to eliminate the interaction between the two loops. A capacitor from $SCOMP$ to $LGND$ is usually enough for most of the applications. Choose the crossover frequency of current share loop (f_{CI}) based on the crossover frequency of voltage loop (f_c), and determine the C_{SCOMP} ,

$$C_{SCOMP} = \frac{0.65 * R_{PWMRMP} * V_I * I_O * G_{CS_ROOM} * R_{LE} * [1 + 2\pi * f_{CI} * C_E * (V_O / I_O)] * F_{MI}}{V_o * 2\pi * f_{CI} * 1.05 * 10^6} \quad (34)$$

Where F_{MI} is the PWM gain in the current share loop,

$$F_{MI} = \frac{R_{PWMRMP} * C_{PWMRMP} * f_{SW} * V_{PWMRMP}}{(V_o - V_{PWMRMP} - V_{DAC}) * (V_I - V_{DAC})} \quad (35)$$

DESIGN EXAMPLE: VRM 11 7-PHASE CONVERTER

SPECIFICATIONS

Input Voltage: $V_I = 12V$
 DAC Voltage: $V_{DAC} = 1.3V$
 No Load Output Voltage Offset: $V_{O_NLOFST} = 15mV$
 Output Current: $I_O = 130\text{ ADC}$
 Maximum Output Current: $I_{OMAX} = 150\text{ ADC}$
 Load Line Slope: $R_O = 1.20\text{ m}\Omega$
 VRM11 Startup Boot Voltage = $1.100V$
 Soft Start Time: $TD2 = 1.1ms$
 VCC Ready to VCC Power Good Delay: $TD5 = 1.0ms$
 Over Current Delay: $TOCDEL = 250\mu s$
 Dynamic VID Negative Slew Rate: $SR_{DOWN} = 2.5mV/\mu s$
 Over Temperature Threshold: $TPCB = 115\text{ }^\circ C$

POWER STAGE

Phase Number: $n = 7$
 Switching Frequency: $f_{sw}=400\text{ kHz}$
 Output Inductors: $L = 220\text{ nH}$, $R_L = 0.60\text{ m}\Omega$
 Output Capacitors: $C = 560\mu F$, $R_C = 7m\Omega$, Number $C_n = 10$

IR3084 EXTERNAL COMPONENTS

Oscillator Resistor R_{osc}

The switching frequency sets the value of R_{OSC} as shown by the curve in Figure 13 on page 25. In this design, the switching frequency of 400kHz per phase requires R_{OSC} to be 30.1k Ω .

VDAC Slew Rate Programming Capacitor C_{VDAC} and Resistor R_{VDAC}

From Figure 17 on page 25, the sink current of the VDAC pin at 400kHz ($R_{OSC}=30.1k\Omega$) is 80uA. Calculate the VDAC slew-rate programming capacitor from the specified negative slew rate using Equation (1).

$$C_{VDAC} = \frac{I_{SINK}}{SR_{DOWN}} = \frac{80 * 10^{-6}}{2.5 * 10^{-3} / 10^{-6}} = 32.0nF , \quad \text{Choose } C_{VDAC} = 33nF$$

Calculate the VDAC compensation resistor from Equation (2);

$$R_{VDAC} = 0.5 + \frac{3.2 * 10^{-15}}{C_{VDAC}^2} = 0.5 + \frac{3.2 * 10^{-15}}{(33 * 10^{-9})^2} = 3.5\Omega$$

From Figure 17 on page 25, the source current of the VDAC pin is 90uA at $R_{OSC} = 30.1K\Omega$. The VDAC positive slew rate is can be calculated using Equation (3);

$$SR_{UP} = \frac{I_{SOURCE}}{C_{VDAC}} = \frac{90 * 10^{-6}}{33 * 10^{-9}} = 2.7mV/\mu s$$

Using the calculated value of C_{VDAC} , find the positive VID voltage rise time (TD4) to the specified nominal DAC voltage of 1.300V during startup with Boot Mode using Equation 4a;

$$TD4 = \frac{C_{VDAC}}{I_{SOURCE}} * (VDAC - 1.1V) = \frac{33nF}{90\mu A} * (1.300V - 1.1V) = 73.3\mu s$$

No Load Output Voltage Setting Resistor RVSETPT, RFB and Adaptive Voltage Positioning Resistor RDRP

First, use Equations (19) and (20) to calculate the current sense resistors R_{CS+} and R_{CS-} , respectively. For this design, in the next section, R_{CS+} is determined to be 10K Ω and R_{CS-} is found to be 6.19K Ω .

Second, calculate the total input offset voltage (V_{CS_TOFST}) of the current sense amplifiers using Equation (6). From the IR3086A data sheet, typical values for the I_{CSIN+} and I_{CSIN-} bias currents are determined to be 0.25 μA and 0.40 μA , respectively.

$$\begin{aligned} V_{CS_TOFST} &= V_{CS_OFST} + (I_{CSIN+} * R_{CS+}) - (I_{CSIN-} * R_{CS-}) \\ &= 0.55mV + (0.25 * 10^{-6} * 10K\Omega) - (0.40 * 10^{-6} * 6.19K\Omega) = 0.574mV \end{aligned}$$

Next, derive the intermediate calculations (A,B,C,D) as shown below before finally calculating R_{VSETPT} and $RDRP$ using Equations (7) and (8). From Figure 15 on page **Error! Bookmark not defined.**, the I_{VSETPT} bias current is determined to be 40 μA at $R_{OSC}=30.1k\Omega$ and a typical value for the offset voltage of the error amplifier is 0.0mV.

$$\begin{aligned} A &= \frac{I_o * R_L * G_{CSA}}{n} + V_{CS_TOFST} * G_{CSA} + V_{OS_EA} = \frac{130 * 0.60 * 10^{-3} * 34}{7} + 0.574 * 10^{-3} * 34 + 0.0mV \\ &= 0.3984 \end{aligned}$$

$$B = V_{O_NLOFST} + I_o * R_o - V_{OS_EA} = 15 * 10^{-3} + 130 * 1.20 * 10^{-3} - 0.0mV = 0.1710$$

$$C = V_{CS_TOFST} * G_{CSA} + V_{OS_EA} = 0.574 * 10^{-3} * 34 + 0.0mV = 0.0195$$

$$D = V_{O_NLOFST} - V_{OS_EA} = 15 * 10^{-3} - 0.0mV = 0.015$$

$$V_{SETPT} = \frac{A * D - C * B}{(A + B - C - D)} = \frac{0.3984 * 0.015 - 0.0195 * 0.1710}{0.3984 + 0.1710 - 0.0195 - 0.015} = 0.00494V$$

$$RV_{SETPT} = \frac{V_{SETPT}}{I_{VSETPT}} = \frac{0.00494}{40 * 10^{-6}} = 123.5ohms$$

Choose the closest standard resistor value to this with 1% tolerance or $R_{VSETPT} = 124ohms$.

Select $RFB = 324$ ohms and then calculate the droop resistor,

$$RDRP = RFB \cdot \frac{VSETPT + C}{D - VSETPT} = 324 \cdot \frac{0.00494 + 0.0195}{0.015 - 0.00494} = 787.1ohms$$

Choose the next standard value higher than this with 1% tolerance or $RDRP = 787ohms$.

Soft Start Capacitor $C_{SS/DEL}$ and Startup Times

Calculate the soft start capacitor from the required soft start time using Equation (9) with Boot Mode;

$$C_{SS/DEL} = \frac{70 * 10^{-6} * TD2}{VDAC * \left(1 - \frac{RFB}{RFB + RDRP}\right)} = \frac{70 * 10^{-6} * 1.1 * 10^{-3}}{1.1V * \left(1 - \frac{324}{324 + 787}\right)} = 0.0988\mu F \text{ or } 0.1\mu F$$

The soft start delay time can be calculated using Equation (10) with Boot mode;

$$TD1 = \frac{C_{SS/DEL}}{I_{CHG}} * \left(1.3V + VDAC * \frac{RFB}{RFB + RDRP}\right) = \frac{0.1 * 10^{-6}}{70 * 10^{-6}} * \left(1.3V + 1.1V * \frac{324}{324 + 787}\right)$$

$$= 2.31ms$$

The VID sample time can be found using Equation (11);

$$TD3 = \frac{C_{SS/DEL} * 0.7V}{I_{CHG}} = \frac{0.1 * 10^{-6} * 0.7}{70 * 10^{-6}} = 1.00ms$$

The power good delay time can be found using Equation (12);

$$TD5 = \frac{C_{SS/DEL} * 0.75V}{I_{CHG}} - TD4 = \frac{0.1 * 10^{-6} * 0.75V}{70 * 10^{-6}} - 73\mu s = 0.998ms$$

Finally, use Equation (13) to calculate the over-current fault latch delay time;

$$T_{OCDEL} = \frac{C_{SS/DEL} * 100mV}{40 * 10^{-6}} = \frac{0.1 * 10^{-6} * 100 * 10^{-3}}{40 * 10^{-6}} = 250\mu s$$

Over Current Setting Resistor R_{OCSET}

Assume that room temperature is 25°C and the target PCB temperature is 100 °C. The phase IC die temperature is usually about 1 °C higher than that of phase IC and the inductor temperature is close to PCB temperature.

Calculate the Inductor's DC resistance at 100 °C using Equation (14);

$$R_{L_MAX} = R_{L_ROOM} * [1 + 3850 * 10^{-6} * (T_{L_MAX} - T_{ROOM})] = 0.60 * 10^{-3} * [1 + 3850 * 10^{-6} * (100 - 25)] = 0.77 m\Omega$$

The current sense amplifier gain is 34 at 25°C, and its gain at 101°C is calculated using Equation (15),

$$G_{CS_MIN} = G_{CS_ROOM} * [1 - 1470 * 10^{-6} * (T_{IC_MAX} - T_{ROOM})] = 34 * [1 - 1470 * 10^{-6} * (101 - 25)] = 30.2$$

Here we will set the over current shutdown threshold to 155A at maximum operating temperature. From Figure 14 on page **Error! Bookmark not defined.**, the bias current of the OCSET pin (LOCSET) is 42.5µA with $R_{OSC}=30.1k\Omega$. The total current sense amplifier input offset voltage calculated previously is 0.574mV, which includes the offset created by the current sense amplifier input resistor mismatch.

Calculate the constant K_P , the ratio of inductor peak current over average current in each phase using Equation (17);

$$K_P = \frac{(V_I - V_O) * V_O / (L * V_I * f_{SW} * 2)}{I_{LIMIT} / n} = \frac{(12 - 1.18) * 1.18 / (220 * 10^{-9} * 12 * 400 * 10^3 * 2)}{155 / 7} = 0.273$$

Finally, calculate the over-current setting resistor using Equation (16);

$$R_{OCSET} = \left[\frac{I_{LIMIT}}{n} * R_{L_MAX} * (1 + K_P) + V_{CS_TOFST} \right] * \frac{G_{CS_MIN}}{I_{OCSET}}$$

$$= \left(\frac{155}{7} * 0.77 * 10^{-3} * (1 + 0.273) + 0.574 * 10^{-3} \right) * \frac{30.2}{42.5 * 10^{-3}} = 15.8 K\Omega$$

IR3086 PHASE IC COMPONENTS

PWM Ramp Resistor R_{RAMP} and Capacitor C_{RAMP}

Set the PWM ramp magnitude V_{PWRMP} to 0.8V. Choose 220pF for the PWM ramp capacitor C_{PWRMP} and calculate the resistor R_{PWRMP} using Equation (18);

$$R_{PWRMP} = \frac{V_o}{V_{IN} * f_{SW} * C_{PWRMP} * [\ln(V_{IN} - V_{DAC}) - \ln(V_{IN} - V_{DAC} - V_{PWRMP})]}$$

$$= \frac{1.30}{12 * 400 * 10^3 * 220 * 10^{-12} * [\ln(12 - 1.30) - \ln(12 - 1.30 - 0.8)]} = 15.8k\Omega ,$$

Choose a standard resistor value, $R_{PWRMP}=15.8k\Omega$.

Inductor Current Sensing Capacitor C_{CS+} and Resistors R_{CS+} and R_{CS-}

Choose $C_{CS+}=47nF$ and calculate R_{CS+} using Equation (19);

$$R_{CS+} = \frac{L/R_L}{C_{CS+}} = \frac{220 * 10^{-9} / (0.47 * 10^{-3})}{47 * 10^{-9}} = 10.0k\Omega$$

The bias currents of $CSIN+$ and $CSIN-$ are 0.25uA and 0.4uA respectively. Calculate resistor R_{CS-} using Equation (20);

$$R_{CS-} = \frac{0.25}{0.4} * R_{CS+} = \frac{0.25}{0.4} * 10.0 * 10^3 = 6.2k\Omega , \quad \text{choose } R_{CS-} = 6.19k\Omega$$

Over Temperature Setting Resistors $R_{HOTSET1}$ and $R_{HOTSET2}$

Use central over temperature setting and set the temperature threshold at 115 °C, which corresponds the IC die temperature of 116 °C. Calculate the HOTSET threshold voltage corresponding to the temperature thresholds using Equations (21) and (22);

$$V_{HOTSET} = 4.73 * 10^{-3} * T_j + 1.241 = 4.73 * 10^{-3} * 116 + 1.241 = 1.79V , \text{ choose } R_{HOTSET1}=20.0k\Omega,$$

$$R_{HOTSET2} = \frac{R_{HOTSET1} * V_{HOTSET}}{V_{BIAS} - V_{HOTSET}} = \frac{20 * 10^3 * 1.79}{6.8 - 1.79} = 7.14k\Omega$$

Phase Delay Timing Resistors $R_{PHASEx1}$ to $R_{PHASEx2}$ ($x=1,2,\dots,7$)

The phase delay resistor ratios for phases 1 to 7 at 400kHz are (from the X-Phase Excel based design spreadsheet); $R_{PHASE1}=0.580$, $R_{PHASE2}=0.397$, $R_{PHASE3}=0.215$, $R_{PHASE4}=0.206$, $R_{PHASE5}=0.353$, $R_{PHASE6}=0.5$ and $R_{PHASE7}=0.647$.

Pre-select $R_{PHASE11}=R_{PHASE21}=R_{PHASE31}=R_{PHASE41}=R_{PHASE51}=R_{PHASE61}=R_{PHASE71}=20k\Omega$,

$$R_{PHASE12} = \frac{RA_{PHASE1}}{1 - RA_{PHASE1}} * R_{PHASE11} = \frac{0.58}{1 - 0.58} * 20 * 10^3 = 27.6k\Omega$$

Calculating the other resistors from the same formula results in; $R_{PHASE22}=13.2k\Omega$, $R_{PHASE32}=5.48k\Omega$, $R_{PHASE42}=5.2k\Omega$, $R_{PHASE52}=10.9k\Omega$, $R_{PHASE62}=20k\Omega$, $R_{PHASE72}=36.6k\Omega$.

Phase ICs 1–3 should have the RMPOUT voltage from the 3084 controller connected to their RMPIN– pin so they will trigger on the negative slope of the RMPOUT waveform. Phase ICs 4–7 should have the RMPOUT voltage from the 3084 controller connected to their RMPIN+ pin so they will trigger on the positive slope of the RMPOUT waveform.

Bootstrap Capacitor CBST

Choose $CBST=0.1\mu F$.

Decoupling Capacitors for Phase IC and Power Stage

Choose $CVCC=0.1\mu F$, $CVCC_L=0.1\mu F$

VOLTAGE LOOP COMPENSATION

AL–Polymer output capacitors are used in the design, for instructional purposes Type III compensation as shown in Figure 18(b) will be demonstrated here. First, choose the desired crossover frequency as 1/10 of the switching frequency, $f_c=40$ kHz, and determine R_{CP} and C_{CP} using Equations (30) and (31):

$$R_{CP} = \frac{(2\pi * f_c)^2 * L_E * C_E * R_{FB} * V_{PWMRMP}}{V_o} = \frac{(2\pi * 40 * 10^3)^2 * (220 * 10^{-9} / 7) * (560 * 10^{-6} * 10) * 324 * 0.8}{1.30 - 0.015 - 130 * 1 * 10^{-3}}$$

$$= 2.49K\Omega$$

$$C_{CP} = \frac{10 * \sqrt{L_E * C_E}}{R_{CP}} = \frac{10 * \sqrt{(220 * 10^{-9} / 7) * (560 * 10^{-6} * 10)}}{2.49 * 10^3} = 53nF, \quad \text{Choose } C_{CP}=56nF$$

$$R_{FB1} = \frac{1}{2} * R_{FB} = \frac{1}{2} * 324 = 162\Omega \quad \text{Choose } R_{FB1}=162\Omega$$

$$C_{FB} = \frac{1}{4\pi * f_c * R_{FB1}} = \frac{1}{4\pi * 40 * 10^3 * 162} = 12.3nF \quad \text{Choose } C_{FB}=10nF$$

Choose $CCP1=100pF$ to reduce high frequency noise.

CURRENT SHARE LOOP COMPENSATION

The crossover frequency of the current share loop (f_{CI}) should be at least one decade lower than that of the voltage loop f_C . Choose the crossover frequency of current share loop $f_{CI}=4\text{kHz}$, and calculate FMI and C_{SCOMP} using Equations (34) and (35);

$$F_{MI} = \frac{R_{PWMRMP} * C_{PWMRMP} * f_{SW} * V_{PWMRMP}}{(V_I - V_{PWMRMP} - V_{DAC}) * (V_I - V_{DAC})} = \frac{15.8 * 10^3 * 220 * 10^{-12} * 400 * 10^3 * 0.8}{(12 - 0.8 - 1.30) * (12 - 1.30)} = 0.0105$$

$$C_{SCOMP} = \frac{0.65 * R_{PWMRMP} * V_I * I_O * G_{CS_ROOM} * R_{LE} * [1 + 2\pi * f_{CI} * C_E * (V_O / I_O)] * F_{MI}}{V_O * 2\pi * f_{CI} * 1.05 * 10^6}$$

$$= \frac{0.65 * 15.8 * 10^3 * 12 * 130 * 34 * (0.47 * 10^{-3} / 7) * [1 + 2\pi * 4 * 10^3 * 5600 * 10^{-6} * (1.30 - 130 * 1.0 * 10^{-3}) / 130] * 0.0105}{(1.30 - 130 * 1.0 * 10^{-3}) * 2\pi * 4 * 10^3 * 1.05 * 10^6}$$

$$= \frac{36574 * [2.266] * 0.0105}{30.859 * 10^9}$$

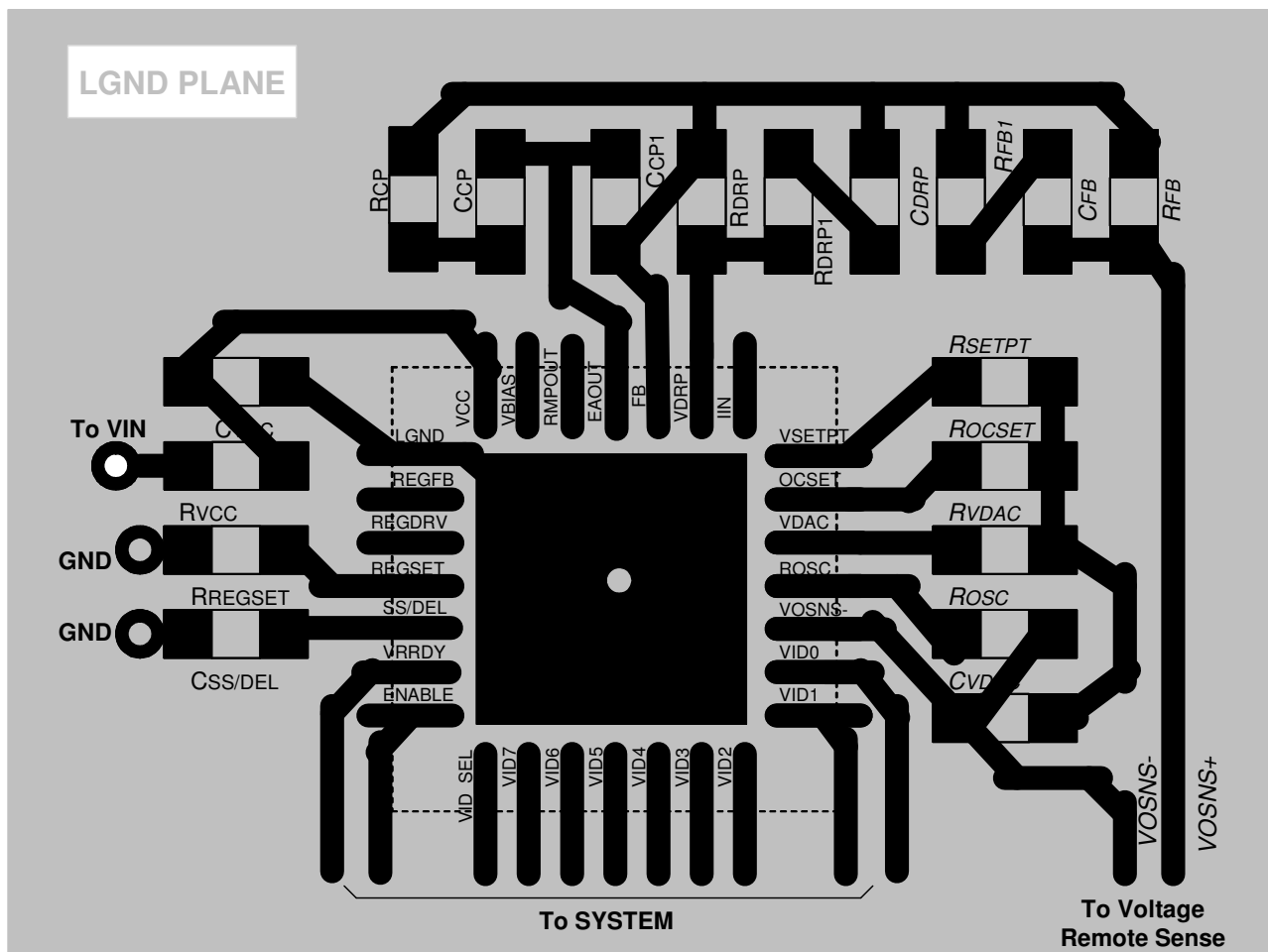
$$= 28.2\text{nF}$$

Choose C_{SCOMP}=22nF with 5% tolerance for best current sharing between phases.

LAYOUT GUIDELINES

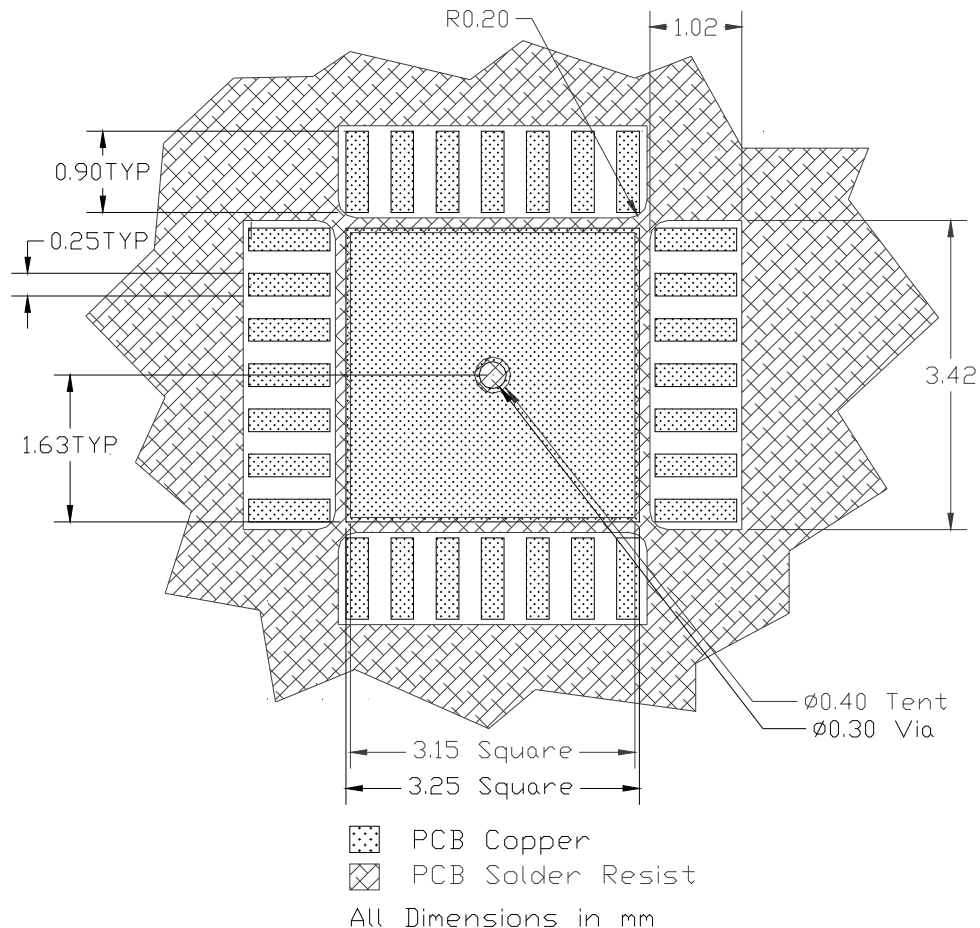
The following layout guidelines are recommended to reduce the parasitic inductance and resistance of the PCB layout, therefore minimizing the noise coupled to the IC.

- Dedicate at least one middle layer for a ground plane LGND.
- Connect the ground tab under the control IC to LGND plane through a via.
- Place the following critical components on the same layer as control IC and position them as close as possible to the respective pins, ROSC, ROCSET, RVDAC, CVDAC, CVCC, CSS/DEL and RCC/DEL. Avoid using any via for the connection.
- Place the compensation components on the same layer as control IC and position them as close as possible to EAOUT, FB and VDRP pins. Avoid using any via for the connection.
- Use Kelvin connections for the remote voltage sense signals, VOSNS+ and VOSNS-, and avoid crossing over the fast transition nodes, i.e. switching nodes, gate drive signals and bootstrap nodes.
- Control bus signals, VDAC, RMPOUT, IIN, VBIAS, and especially EAOUT, should not cross over the fast transition nodes.



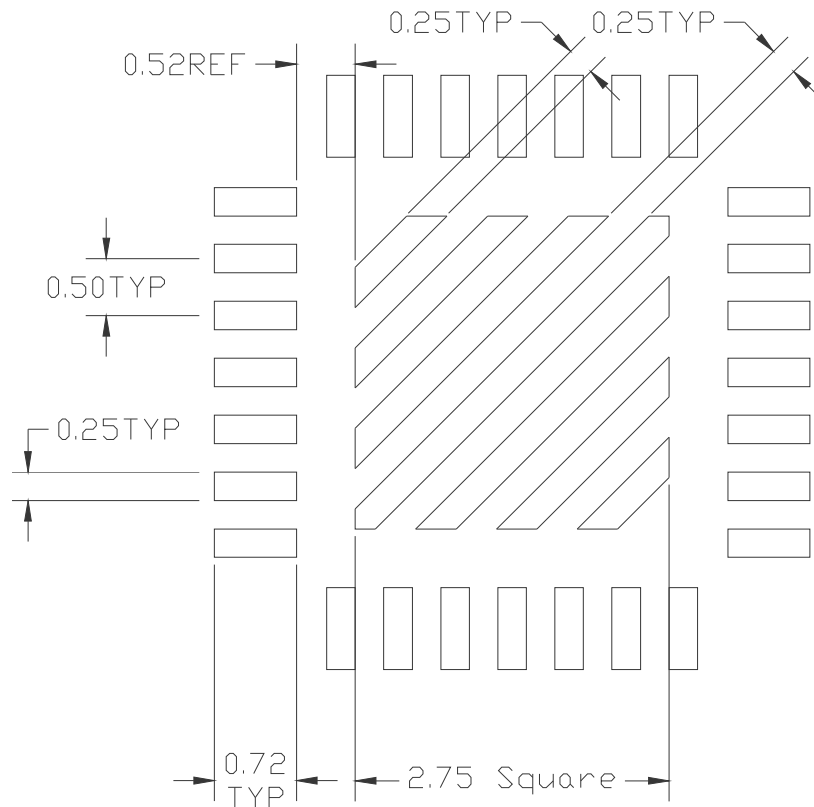
METAL AND SOLDER RESIST

- The solder resist should be pulled away from the metal lead lands by a minimum of 0.06mm. The solder resist mis-alignment is a maximum of 0.05mm and it is recommended that the lead lands are all Non Solder Mask Defined (NSMD). Therefore pulling the S/R 0.06mm will always ensure NSMD pads.
- The minimum solder resist width is 0.13mm, therefore it is recommended that the solder resist is completely removed from between the lead lands forming a single opening for each “group” of lead lands.
- At the inside corner of the solder resist where the lead land groups meet, it is recommended to provide a fillet so a solder resist width of $\geq 0.17\text{mm}$ remains.
- The land pad should be Solder Mask Defined (SMD), with a minimum overlap of the solder resist onto the copper of 0.06mm to accommodate solder resist mis-alignment. In 0.5mm pitch cases it is allowable to have the solder resist opening for the land pad to be smaller than the part pad.
- Ensure that the solder resist in-between the lead lands and the pad land is $\geq 0.15\text{mm}$ due to the high aspect ratio of the solder resist strip separating the lead lands from the pad land.
- The single via in the land pad should be tented with solder resist 0.4mm diameter, or 0.1mm larger than the diameter of the via.
- No PCB traces should be routed nor vias placed under any of the 4 corners of the IC package. Doing so can cause the IC to rise up from the PCB resulting in poor solder joints to the IC leads.



STENCIL DESIGN

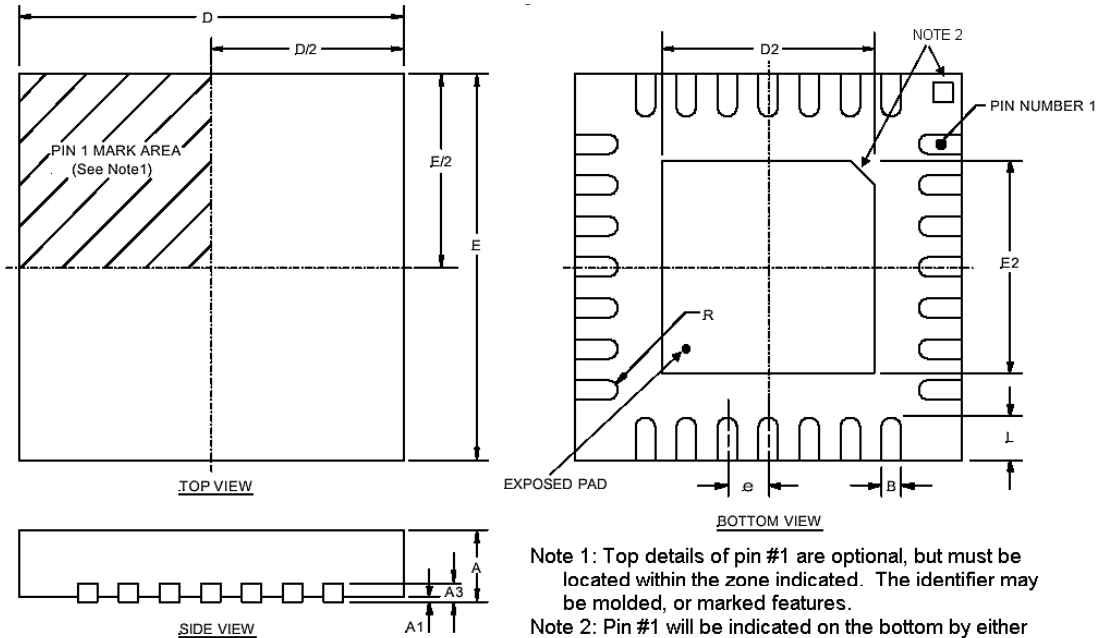
- The stencil apertures for the lead lands should be approximately 80% of the area of the lead lands. Reducing the amount of solder deposited will minimize the occurrence of lead shorts. Since for 0.5mm pitch devices the leads are only 0.25mm wide, the stencil apertures should not be made narrower; openings in stencils < 0.25mm wide are difficult to maintain repeatable solder release.
- The stencil lead land apertures should therefore be shortened in length by 80% and centered on the lead land.
- The land pad aperture should be striped with 0.25mm wide openings and spaces to deposit approximately 50% area of solder on the center pad. If too much solder is deposited on the center pad the part will float and the lead lands will be open.
- The maximum length and width of the land pad stencil aperture should be equal to the solder resist opening minus an annular 0.2mm pull back to decrease the incidence of shorting the center land to the lead lands when the part is pushed into the solder paste.



Stencil Aperture
All Dimensions in mm

PACKAGE INFORMATION

28L MLPQ (5 x 5 mm Body) – $\theta_{JA} = 30^{\circ}\text{C/W}$, $\theta_{JC} = 3^{\circ}\text{C/W}$



Note 1: Top details of pin #1 are optional, but must be located within the zone indicated. The identifier may be molded, or marked features.
 Note 2: Pin #1 will be indicated on the bottom by either a chamfer or a square island.

SYMBOL	28-PIN 5x5			
	DESIG	MIN	NOM	MAX
A		0.80	0.90	1.00
A1		0.00	0.02	0.05
A3		0.20 REF		
B		0.18	0.23	0.30
D		5.00 BSC		
D2		3.00	3.15	3.25
E		5.00 BSC		
E2		3.00	3.15	3.25
e		0.50 BSC		
L		0.45	0.55	0.65
R		0.09	---	---

NOTE: ALL MEASUREMENTS ARE IN MILLIMETERS.

Data and specifications subject to change without notice.
 This product has been designed and qualified for the Consumer market.
 Qualification Standards can be found on IR's Web site.